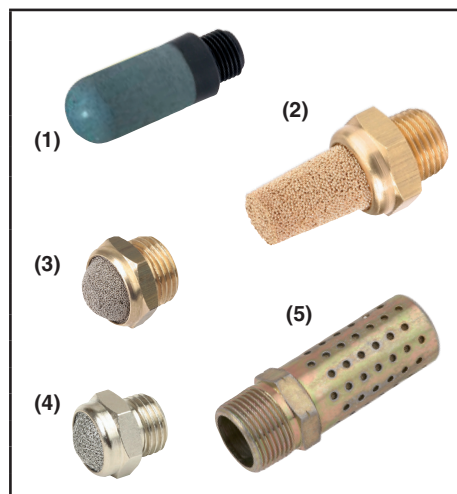


## SILENCER (1, 2, 5), EXHAUST PROTECTOR (3, 4)

		catalogue number				
		(1)	(2)	(3)	(4)	(5)
<b>operating pressure</b>		0 to 10 bar		0 to 12 bar	0 to 10 bar	0 to 14 bar
<b>ambient temperature</b>		-10°C to +80°C				-20°C to +110°C
<b>construction</b>	body	porous plastic	porous bronze	bronze	stainless steel	zinc-plated steel, bichromate
	connection piece	plastic	brass	brass	Nickel plated brass	
	diffuser	-	-	-	-	
<b>pipe size</b>	Ø M5	34600405	34600207	34600491	34600484	-
	G 1/8	34600406	34600001	34600492	34600418	M1MB
	G 1/4	34600407	34600002	34600493	34600419	M2MB
	G 3/8	34600408	34600003	34600494	34600478	M3MB
	G 1/2	34600409	34600004	34600495	34600479	M4MB
	G 3/4	34600410	34600005	34600496	-	M5MB
	G 1	34600411	34600006	34600497	-	M6MB



## SHUTTLE VALVE

**Fluid** Air or filtered neutral gas, lubricated or not  
**Operating pressure** 1 to 10 bar  
**Ambient temperature** -10°C to +60°C  
**CONSTRUCTION**  
**Body** Black anodised aluminium  
**Internal parts** Steel + NBR (nitrile)

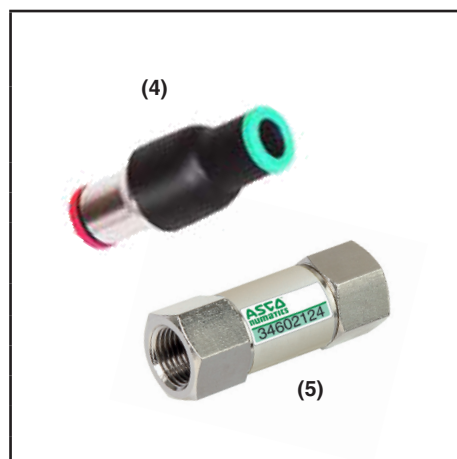
pipe size	Ø orifice (mm)	catalogue number
G 1/8	3,2	34600127
G 1/4	6	34600119



## NON-RETURN VALVE

**Fluid** Air or filtered neutral gas, lubricated or not  
**Operating pressure**  
 plastic body 1 to 10 bar  
 metal body 0,5 to 10 bar  
**Ambient temperature** -10°C to +60°C  
**CONSTRUCTION**  
**Body**  
 instant fittings version Technical polymer  
 tapped version Brass nickeled  
**Internal parts** Light alloy and brass  
**Seals** NBR (nitrile)

pipe size	flow at 6 bar (l/min)	catalogue number
<b>(4) plastic body (instant fittings)</b>		
Ø 4 mm ext.	330	34602445
Ø 6 mm ext.	665	34602446
Ø 8 mm ext.	1630	34602447
<b>(5) metal body (tapped)</b>		
Ø M5	190	34602412
G 1/8	920	34602124
G 1/4	1650	34602125
G 3/8	2400	34602444
G 1/2	3500	34602126



## QUICK EXHAUST VALVE

**Fluid** Air or filtered neutral gas, lubricated or not  
**Operating pressure** 0,5 to 10 bar  
**Ambient temperature** -10°C to +60°C  
**CONSTRUCTION**  
**Body** Light alloy  
**Membran** NBR (nitrile)

pipe size	Ø orifice (mm)	catalogue number
G 1/4	12	34600136
G 3/8	12	34600137
G 1/2	20	34600138
G 3/4	20	34600139




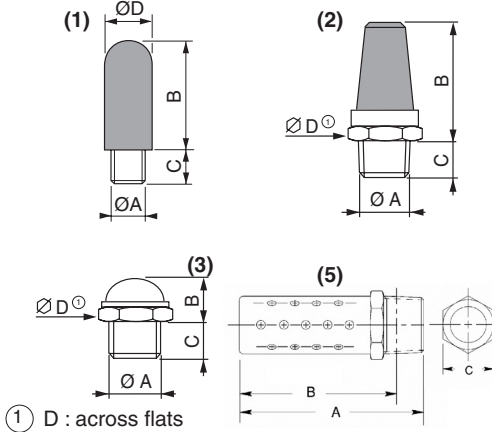
## PNEUMATIC INDICATOR

**Fluid** Air or filtered neutral gas, lubricated or not  
**Operating pressure** 2 to 8 bar  
**Ambient temperature** +5°C to +70°C  
**Angle of vision** 180°  
**CONSTRUCTION**  
**Lens** PC (polycarbonate)  
**Body and collar** POM (polyacetal)  
**Nut** Brass

color	catalogue number
red	34600130
green	34600131
yellow	34600132



**DIMENSIONS (mm), WEIGHT (kg)**   
**SILENCER, EXHAUST PROTECTOR**



(1)					
cat. number	ØA	B	C	ØD	weight
34600405	M5	16	5	7	0,0005
34600406	G1/8	27	6	13	0,002
34600407	G1/4	34	7	15	0,004
34600408	G3/8	55	11	18	0,006
34600409	G1/2	62	12	23	0,010
34600410	G3/4	113	16	38	0,040
34600411	G1	141	20	48	0,065

(2)					
cat. number	ØA	B	C	D	weight
34600207	M5	18	4	8	0,004
34600001	G1/8*	22,4	5,6	13	0,010
34600002	G1/4*	41,6	8,4	16	0,030
34600003	G3/8*	49,2	8,8	24	0,030
34600004	G1/2*	54,6	11,4	27	0,070
34600005	G3/4*	82,3	12,7	36	0,300
34600006	G1*	93,5	14,5	50	0,400

\* taper

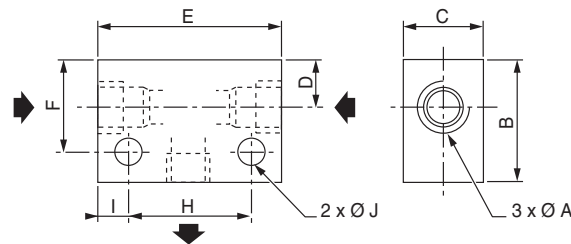
(3)					
cat. number	ØA	B	C	D	weight
34600491	M5	8	3,5	8	0,002
34600492	G1/8	11	6	13	0,007
34600493	G1/4	12	8	16	0,011
34600494	G3/8	14	8	19	0,016
34600495	G1/2	16	10	24	0,027
34600496	G3/4	16	10	30	0,044
34600497	G1	18	11,5	36	0,065

(5)					
code	Ø	A	B	C	weight
M1MB	G1/8	35	31	11	9
M2MB	G1/4	44	39	14	23
M3MB	G3/8	57	51	18	36
M4MB	G1/2	69	61	22	68
M5MB	G3/4	80	71	27	36
M6MB	G1	99	88	33	227

① D : across flats

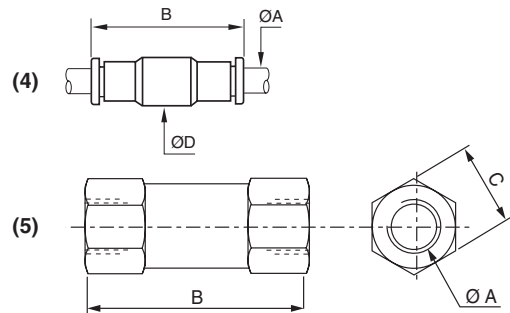
(4)						
code	ØA	B	C	D	weight	
34600484	M5	4,5	3,2	8	1	
34600418	G 1/8	10	6	13	6	
34600419	G 1/4	11	8	16	10	
34600478	G 3/8	11	9	19	14	
34600479	G 1/2	14	9	24	23	

**SHUTTLE VALVE**



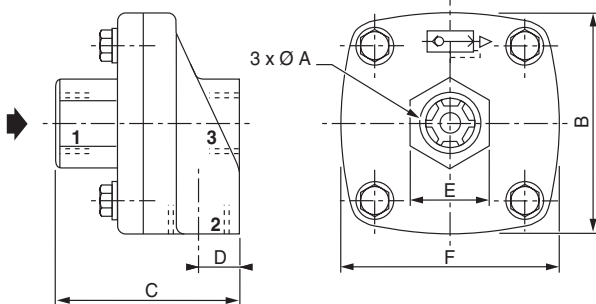
cat. number	ØA	B	C	D	E	F	H	I	J	weight
34600127	G1/8	26	16	8,5	51	20,5	32	9,5	4,5	0,150
34600119	G1/4	30	20	10,5	52	21,5	35	8,5	5,5	0,210

**NON-RETURN VALVE**



cat. number	ØA	B	C	ØD	weight
<b>(4) plastic body (instant fittings)</b>					
34602445	Ø 4 mm ext.	38	-	16	0,008
34602446	Ø 6 mm ext.	41	-	16	0,013
34602447	Ø 8 mm ext.	51,5	-	19	0,018
<b>(5) metal body (tapped)</b>					
34602412	Ø M5	25	8	-	0,008
34602124	G 1/8	36,5	13	-	0,025
34602125	G 1/4	41	-16	-	0,041
34602444	G 3/8	51	20	-	0,074
34602126	G 1/2	62	24	-	0,120

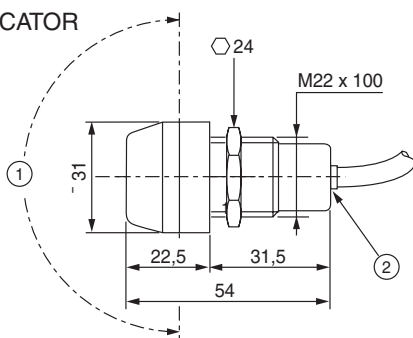
**QUICK-EXHAUST VALVE**



cat. number	ØA	B	C	D	E	F	weight
34600136	G1/4	64	52	13	25	64	0,185
34600137	G3/8	64	52	13	25	64	0,185
34600138	G1/2	85	72	19	38	97	0,420
34600139	G3/4	85	72	19	38	97	0,390

**PNEUMATIC INDICATOR**

weight : 0,035 kg



- ① Angle of vision 180°
- ② Instant fittings for flexible tube Ø 4 O.D