



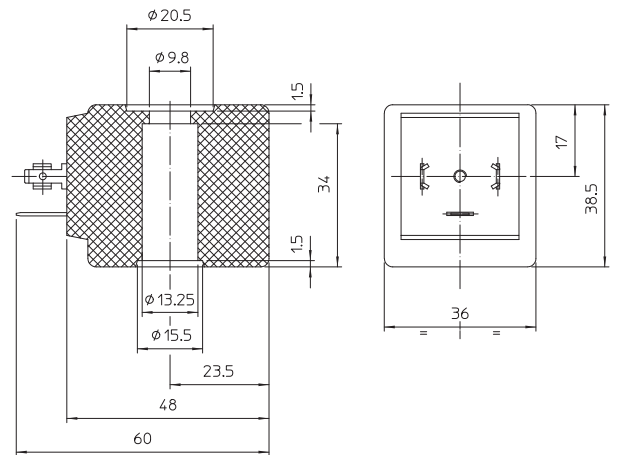
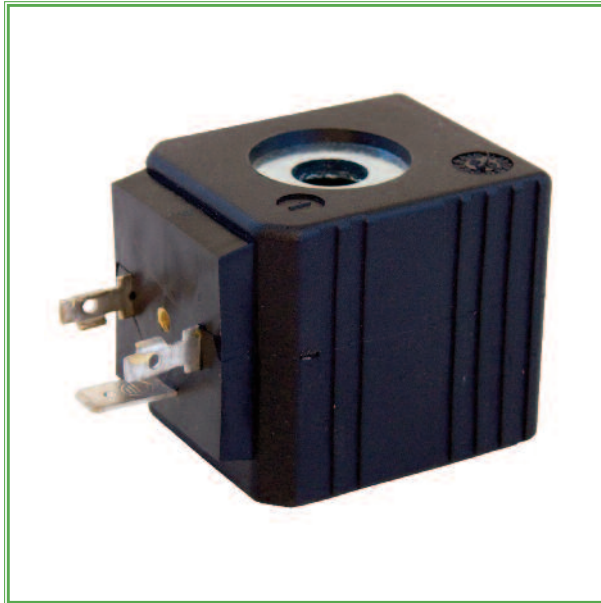
COILS 36 mm x Ø 13 mm

UDA12024AS
÷
UDV12230DW

COIL **UDA** Coil housing material: PA - Black polyamide - class F (155°C)
UDV Coil housing material: PET - Black Polyethylene - class H (180°C)

Winding: In class H
Electrical connections: With connector EN 175301-803 paragraph 5.3.1
Protection degree IP 65 EN 60529 (DIN 40050)

COIL HOUSING AND COIL FORMER MATERIAL ARE MADE BY 100% VIRGIN MATERIAL.



MATERIAL ON STOCK:

Code	Power	Voltages Frequency	ED	Ambient temperature	Approvals
UDA12024AS	23 VA	24 ~ 50	100%	- 10°C + 40°C	CE
UDA12024CS	12 W	24 ---	100%	- 10°C + 40°C	CE
UDA12110DS	23 VA	110 ~ 50/60	100%	- 10°C + 40°C	CE
UDA12230AS	23 VA	230 ~ 50	100%	- 10°C + 40°C	CE
UDV12112DW	23 VA	110/120 ~ 50/60	100%	- 20°C + 40°C	CE - UL - CSA
UDV12230DW	25 VA	230 ~ 50/60	100%	- 20°C + 40°C	CE - UL - CSA

NOMINAL VOLTAGES DC + 10% - 5%
TOLERANCES: AC + 10% - 15%

The power values are indicative, as they change as a function of magnetic kit used and of the application sector of reference | Other voltages and power absorptions available on demand and for quantities.

The "ODE" reserves the right to carry out technical and aesthetic modifications without prior notification.