

## AC Line Filters

This section contains AC line filter selection tables, specification tables, and dimension drawings. Use the tables below to match an AC line filter to your servo drive.

### AC Line Filter Catalog Numbers

Drive Family	Drive Cat. No.	AC Line Filter Cat. No.
Kinetix 6000	2094-AC05-MP5-S	2090-XXLF-X330B
	2094-AC05-M01-S	
	2094-AC09-M02-S	
	2094-AC16-M03-S	2090-XXLF-375
	2094-AC32-M05-S	2090-XXLF-3100
	2094-BC01-MP5-S	2090-XXLF-X330B
	2094-BC01-M01-S	
	2094-BC02-M02-S	
	2094-BC04-M03-S	2090-XXLF-375B
2094-BC07-M05-S	2090-XXLF-3100	
Kinetix 6200/ Kinetix 6500	2094-BC01-MP5-M	2090-XXLF-X330B
	2094-BC01-M01-M	
	2094-BC02-M02-M	
	2094-BC04-M03-M	2090-XXLF-375B
	2094-BC07-M05-M	2090-XXLF-3100
Kinetix 300/ <sup>(2)</sup> Kinetix 350	2097-V31PR0-xx	2090-XXLF-TC116
	2097-V31PR2-xx	
	2097-V33PR5-xx	2090-UXLF-336

Drive Family	Drive Cat. No.	AC Line Filter Cat. No.
Kinetix 3	2071-AP0...2071-AP4	2090-XXLF-TC116
	2071-AP8 (single-phase)	
	2071-AP8 (three-phase)	2090-XXLF-TC316
	2071-A10...2071-A15	
Kinetix 2000	2093-AC05-Mxx	2090-XXLF-TC116
		2090-XXLF-TC316
Kinetix 7000	2099-BM06-S	2090-XXLF-TC350
	2099-BM07-S	
	2099-BM08-S	2090-XXLF-TC365
	2099-BM09-S	2090-XXLF-TC3100
	2099-BM10-S	2090-XXLF-TC3150
	2099-BM11-S	2090-XXLF-TC3200
8720MC-RPS	2099-BM12-S	N/A
	8720MC-RPS065-Bx	8720MC-RFI80
	8720MC-RPS190-Bx	8720MC-EF190-VB <sup>(1)</sup>

(1) Line filter unit includes magnetic contactor, harmonic filter, and varistor.

(2) For Bulletin 2097 line filters used with the Kinetix 300/350 drive families, refer to Kinetix Servo Drives Technical Data, publication [GMC-TD003](#).

### AC Line Filter Catalog Numbers

Drive Family	Drive Cat. No.	AC Line Filter Cat. No.	Motor Cables > 30 m
Ultra3000	2098-DSD-005	2090-UXLF-106	2090-UXLF-110
	2098-DSD-010	2090-UXLF-110	2090-UXLF-110
	2098-DSD-020	2090-UXLF-123	2090-UXLF-123
	2098-DSD-030	2090-UXLF-136	2090-UXLF-132
	2098-DSD-075	2090-UXLF-336	2090-UXLF-HV330
	2098-DSD-150	2090-UXLF-350	2090-UXLF-HV350
	2098-DSD-HV030, 2098-DSD-HV050, 2098-DSD-HV100, 2098-DSD-HV150	2090-UXLF-HV323	2090-UXLF-HV323
	2098-DSD-HV220	2090-UXLF-HV330	2090-UXLF-HV330

## Technical Specifications - AC Line Filters

AC Line Filter Cat. No.	Specifications <sup>(1)</sup> (2)							Dimensions		
	Voltage	Phase	Current A @ 50 °C (122 °F)	Power Loss W	Leakage Current mA	Weight, approx kg (lb)	Operating Temperature			
2090-UXLF-106	250V AC 50/60 Hz	Single	6	3.5	2.26	0.3 (0.66)	-25...85 °C (-13...185 °F)	<a href="#">page 109</a>		
2090-UXLF-110			10	2.7	45	0.95 (2.0)				
2090-UXLF-123			23	10	90	1.6 (3.5)				
2090-UXLF-132					32	20	90			
2090-UXLF-136					36	–	200	1.75 (3.9)	<a href="#">page 110</a>	
2090-XXLF-TC116					16	4.9	87	0.80 (1.7)	-25...100 °C (-13...212 °F)	<a href="#">page 114</a>
2090-UXLF-336	520V AC 50/60 Hz	Three	36	–	138	2.7 (5.9)	-25...85 °C (-13...185 °F)	<a href="#">page 110</a>		
2090-UXLF-350			50	25	138					
2090-UXLF-HV323					23	20			80	1.6 (3.5)
2090-UXLF-HV330			30	51	24	1.8 (4.0)	<a href="#">page 111</a>			
2090-XXLF-X330B	500V AC 50/60 Hz	Three	30	38	64	2.7 (5.9)	-25...85 °C (-13...185 °F)	<a href="#">page 112</a>		
2090-UXLF-HV350			50	25	35	4.8 (10.6)				
2090-XXLF-375			75	57	50	5.2 (11.4)				
2090-XXLF-375B					108					
2090-XXLF-3100			100	75	73	9.5 (20.9)				
2090-XXLF-TC316	520V AC 50/60 Hz	Three	16	7.1	38	0.80 (1.7)	-25...100 °C (-13...212 °F)	<a href="#">page 113</a>		
2090-XXLF-TC350			50	13.8	38	2.4 (5.3)		<a href="#">page 113</a>		
2090-XXLF-TC365			65	14.5	38	2.4 (5.3)				
2090-XXLF-TC3100			100	18.1	38	5.2 (11.5)				
2090-XXLF-TC3150					150	8.5		76	7.5 (16.5)	<a href="#">page 114</a>
2090-XXLF-TC3200					200	14.2		76	7.5 (16.5)	
8720MC-RFI80					80	25.9		–	5.3 (11.7)	-25...85 °C (-13...185 °F)
8720MC-EF190-VB			190	–	–	34.0 (74.8)				

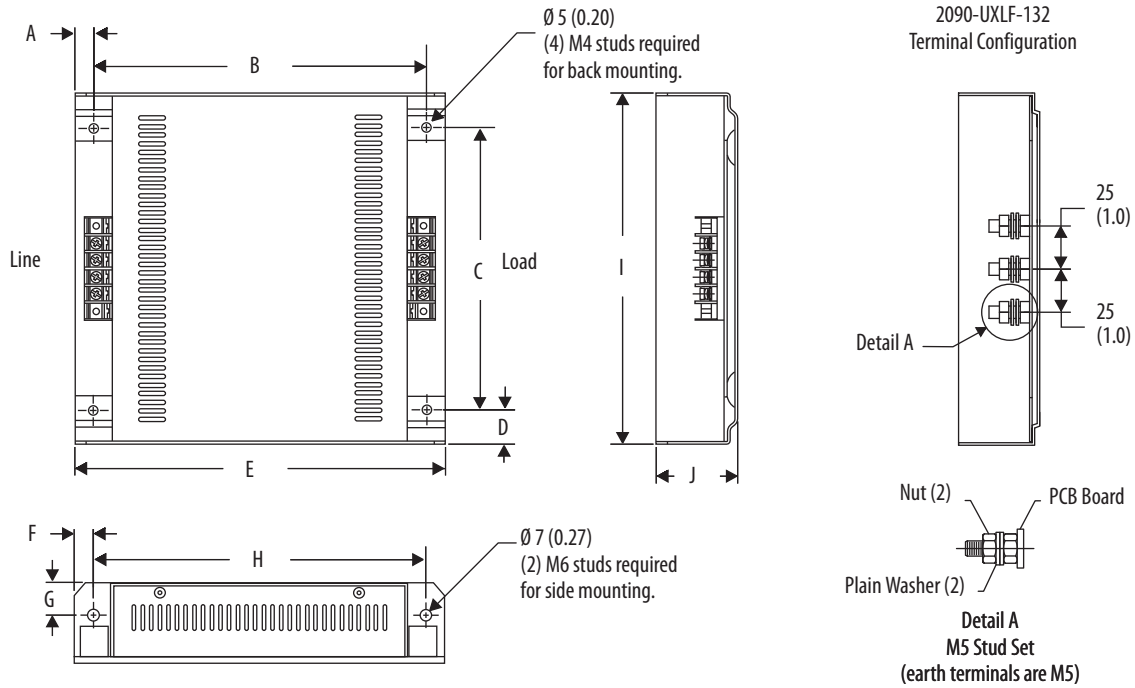
(1) For all filters, 90% relative humidity.

(2) For all filters, 10...200 Hz @ 1.8 g vibration.

## Dimensions - AC Line Filters

### AC Line Filter Dimensions

Dimensions are in mm (in.)



Cat. No.	A mm (in.)	B mm (in.)	C mm (in.)	D mm (in.)	E mm (in.)	F mm (in.)	G mm (in.)	H mm (in.)	I mm (in.)	J mm (in.)
2090-UXLF-106	9.0 (0.35)	152.0 (5.99)	55.0 (2.17)	18.0 (0.71)	170.0 (6.69)	9.0 (0.35)	10.0 (0.39)	152.0 (5.99)	92.0 (3.62)	25.0 (0.98)
2090-UXLF-110			104.0 (4.0)				16.0 (0.63)		145.0 (5.71)	40.0 (1.58)
2090-UXLF-123	11.0 (0.43)	192.0 (7.56)	164.0 (6.46)	20.0 (0.79)	214.0 (8.42)	11.0 (0.43)	19.0 (0.75)	192.0 (7.56)	204 (8.04)	47.0 (1.85)
2090-UXLF-132										
2090-UXLF-HV323										