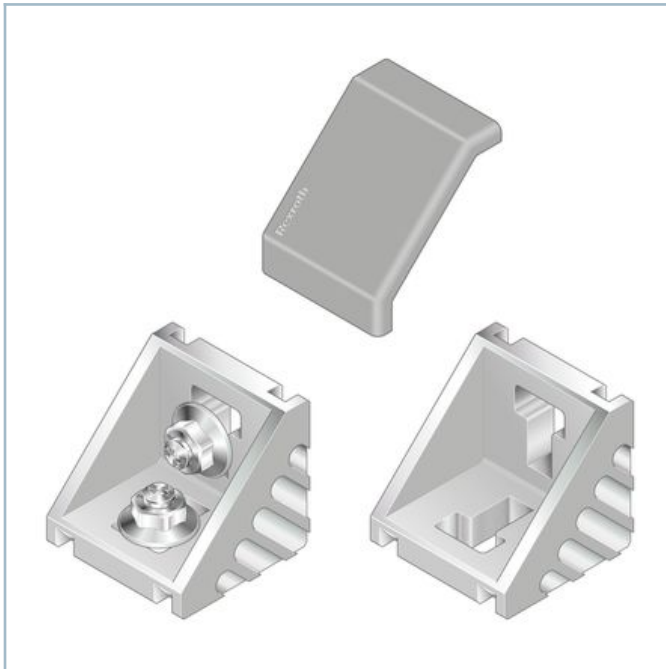
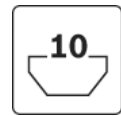
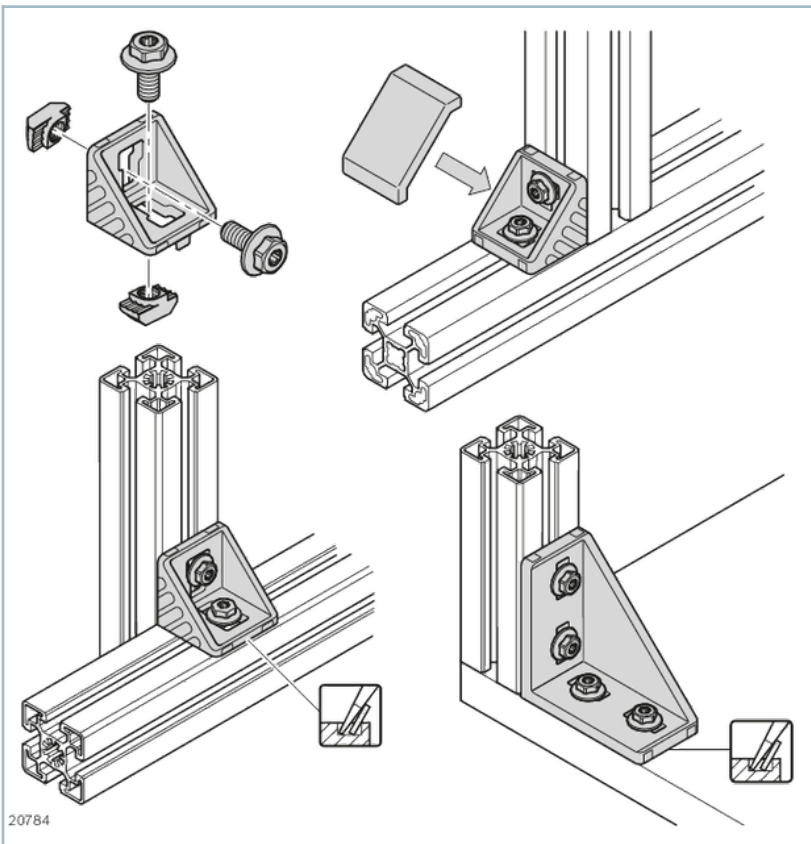
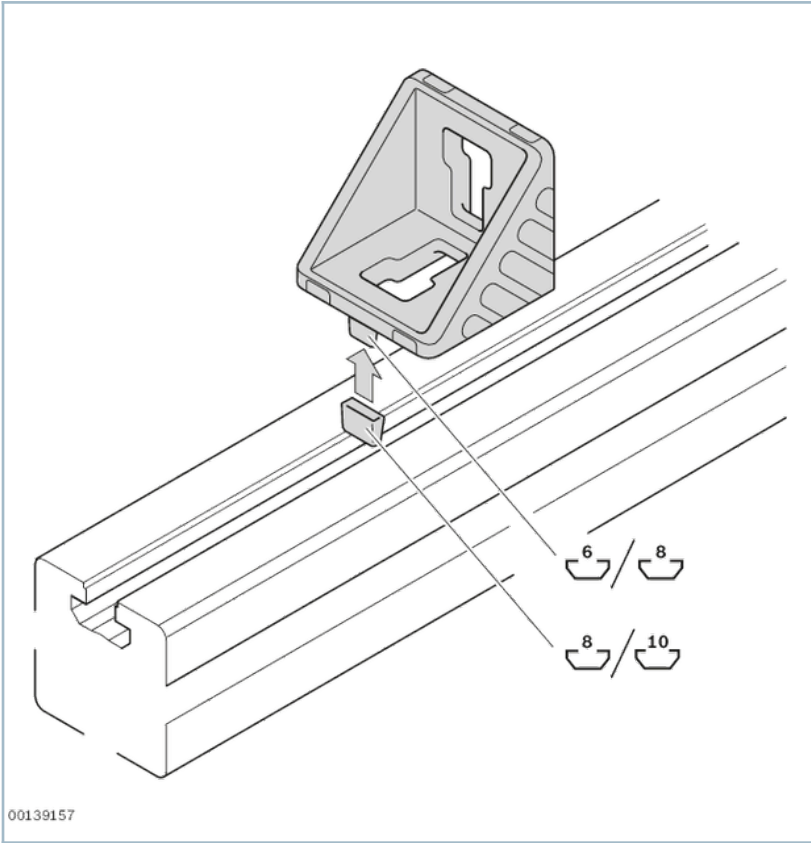


## Bracket 50/50



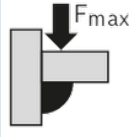
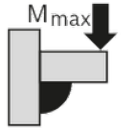
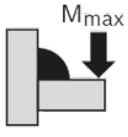
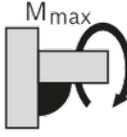



- Brackets with centering lugs for rapid, precise assembly with protection against turning
- Centering lugs can be easily broken off for assembly on plates or at right angles to the slot
- Cover cap to protect from dirt, available in signal gray (RAL 7004) and black ESD (RAL 9005)
- Profile finishing: not required





# Product description



Connection elements, selection criteria

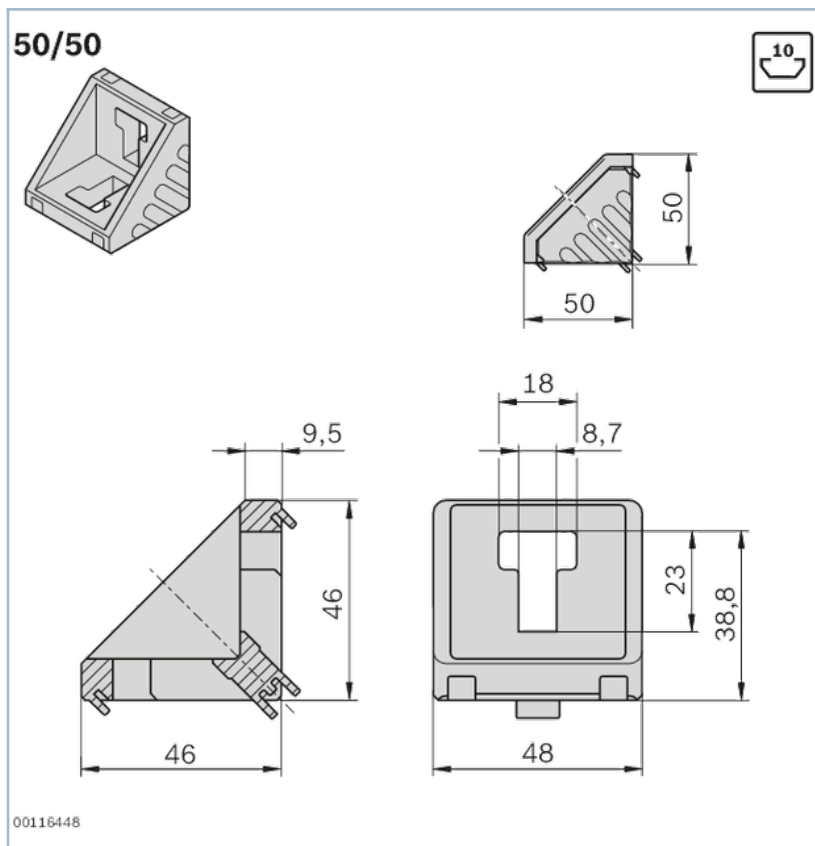
## Technical data

	Groove	ESD	Material entry				
				$F_{max}$	$M_{max}$	$M_{max}$	$M_{max}$
				N	Nm	Nm	Nm
Bracket	10		Bracket: Diecast aluminum, vibratory ground Fastening material: steel; galvanized	4000	125	250	38
	10		Bracket: Diecast aluminum, vibratory ground	4000	125	250	38
Cover cap for bracket			PP				
			PP				

Typ				
50 / 50	4000 N	125 Nm	250 Nm	38 Nm

## Dimensions

## Bracket 50/50 with cover cap



## Accessories

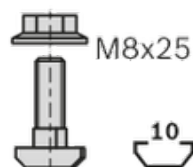
## Recommended accessories

Cover cap for bracket 50/50, signal gray




Cover cap for bracket 50/50, black

## Delivery notes

## FS7



# Ordering codes

	Groove	ESD	FS	No.
Bracket 50x50 set (standard)	10		2xFS7	3842530259
Bracket (standard) 50/50	10			3842530381
Cover cap for bracket 50/50, signal gray				3842548870
Cover cap for bracket 50/50, black				3842548871