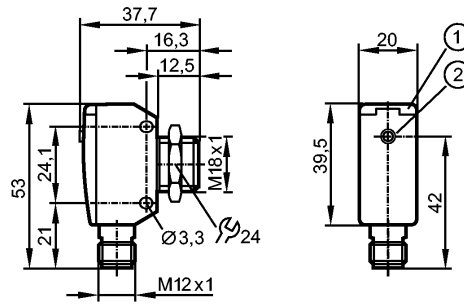




UGT584

UGQ01200E1KG/US

Ultrasonic sensors



- 1: LEDs
- 2: teach button



Product characteristics

| |
|--------------------------------------|
| Ultrasonic diffuse-reflection sensor |
| Cube |
| Connector |
| Teach function |

Electrical data

| | |
|-----------------------------|------------|
| Electrical design | DC PNP |
| Operating voltage [V] | 10...30 DC |
| Current consumption [mA] | < 35 |
| Protection class | III |
| Reverse polarity protection | yes |
| Power-on delay time [s] | 0.1 |
| Converter frequency [kHz] | 200 |

Inputs

| | |
|-------|-----|
| Teach | yes |
|-------|-----|

Outputs

| | |
|--------------------------|-----------------------------------------------|
| Output function | 1 x NO / NC programmable + 1 x current output |
| Current rating [mA] | 100 |
| Voltage drop [V] | 2.2 |
| Short-circuit protection | yes |
| Overload protection | yes |
| Analogue output | |
| current output [mA] | 4...20 |
| Max. load [Ω] | 500 |
| Switching frequency [Hz] | 5 |

Range

| | |
|--------------------|------|
| Sensing range [mm] | 1200 |
| blind zone [mm] | 80 |

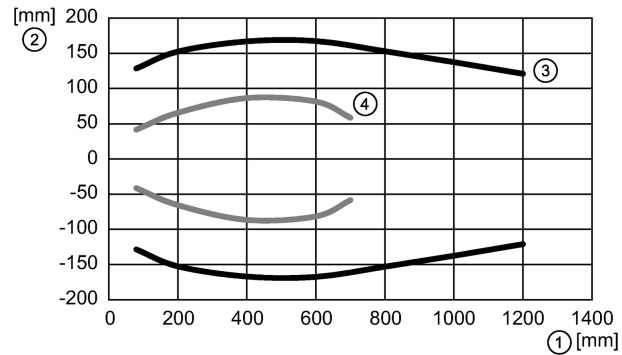


UGT584

UGQ01200E1KG/US

Ultrasonic sensors

Response curve



1: Distance; 2: Sound beam; 3: Target 200 x 200 mm; 4: Target Ø 25 mm

| | | |
|---------------------------------------------------|-----|-----|
| Angle of aperture | [°] | ± 8 |
| Max. deviation from the 90° angle sensor / object | [°] | ± 4 |

Accuracy / deviations

| | | |
|-----------------------------------|-----------------------------------------------------------------------|-------|
| Notes on the accuracy / deviation | The indicated values are reached after a warm-up time of ≥ 20 minutes | |
| Temperature compensation | | yes |
| Hysteresis | [%] | < 1 |
| Switch-point drift | [%] | ± 2 |
| Linearity error | [%] | ≤ 1 |
| Resolution | [mm] | 3 |
| Repeatability | [%] | < 0.7 |

Environment

| | | |
|---------------------|------|----------|
| Ambient temperature | [°C] | -20...70 |
| Protection | | IP 67 |

Tests / approvals

| | | |
|----------------------|----------------------------|----------------------------------------------------------------------------------------------------|
| EMC | EN 61000-4-2 ESD: | 4 kV CD / plastics 8 kV AD / metal |
| | EN 61000-4-3 HF radiated: | 3 V/m |
| | EN 61000-4-4 Burst: | 2 kV |
| | EN 61000-4-6 HF conducted: | 3 V |
| | EN 55011: | class A |
| Vibration resistance | EN 60068-2-6 Fc | (10-55) Hz 1 mm amplitude, oscillation period 5 min., 30 min. per axis at resonance or 55 Hz |
| Shock resistance | EN 60068-2-27 Ea | yes |

Mechanical data

| | | |
|-------------------|--------------------------------------------|-------|
| Housing materials | 1.4542; PBT; polyamide; Epoxid-Glaskeramik | |
| Weight | [kg] | 0.097 |

Displays / operating elements

| | | |
|---------|-------------------------------------------------------|--|
| Display | Switching status 1 LED yellow Echo LED 1 LED green | |
|---------|-------------------------------------------------------|--|

Electrical connection

| | | |
|------------|---------------|--|
| Connection | M12 connector | |
|------------|---------------|--|

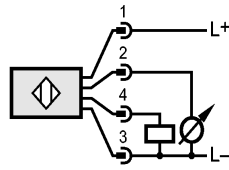
Wiring



UGT584

UGQ01200E1KG/US

Ultrasonic sensors



Accessories

| | |
|------------------------|----------------------------|
| Accessories (included) | 1 stainless steel lock nut |
|------------------------|----------------------------|

Remarks

| | |
|---------|---------------------------------|
| Remarks | cULus - Class 2 source required |
|---------|---------------------------------|

| | | |
|---------------|---------|---|
| Pack quantity | [piece] | 1 |
|---------------|---------|---|