



V30W-0101000

V300 Work Station Extended

SAFETY CAMERA SENSORS

SICK
Sensor Intelligence.



Illustration may differ



Ordering information

Type	Part no.
V30W-0101000	1041542

A resolution set has to be ordered separately!

Other models and accessories → www.sick.com/V300_Work_Station_Extended

Detailed technical data

Features

Technology	2D camera						
Resolution	20 mm, 24 mm, 30 mm ¹⁾						
Protective field range	<table border="1"> <tbody> <tr> <td>20 mm resolution</td> <td>1.41 m</td> </tr> <tr> <td>24 mm resolution</td> <td>1.7 m</td> </tr> <tr> <td>30 mm resolution</td> <td>2.12 m</td> </tr> </tbody> </table>	20 mm resolution	1.41 m	24 mm resolution	1.7 m	30 mm resolution	2.12 m
20 mm resolution	1.41 m						
24 mm resolution	1.7 m						
30 mm resolution	2.12 m						
Protective field size	<table border="1"> <tbody> <tr> <td>20 mm resolution</td> <td>1 m x 1 m</td> </tr> <tr> <td>24 mm resolution</td> <td>1.2 m x 1.2 m</td> </tr> <tr> <td>30 mm resolution</td> <td>1.5 m x 1.5 m</td> </tr> </tbody> </table>	20 mm resolution	1 m x 1 m	24 mm resolution	1.2 m x 1.2 m	30 mm resolution	1.5 m x 1.5 m
20 mm resolution	1 m x 1 m						
24 mm resolution	1.2 m x 1.2 m						
30 mm resolution	1.5 m x 1.5 m						
Aspect ratio protective field	1:1 to 2:1						
Response time	20 ms						
Items supplied	Including teaching pen, operating instructions on CD-ROM and Quickstart (instructions for quick commissioning)						

¹⁾ Depending on resolution set.

Safety-related parameters

Type	Type 3 (IEC 61496-1)
Safety integrity level	SIL2 (IEC 61508)
Category	Category 3 (EN ISO 13849)
Performance level	PL d (EN ISO 13849)
PFH_D (mean probability of a dangerous failure per hour)	5.6 x 10 ⁻⁹
T_M (mission time)	20 years (EN ISO 13849)
Safe state in the event of a fault	At least one OSSD is in the OFF state.

Functions

	Functions	Delivery status
Restart interlock	✓	Deactivated
External device monitoring (EDM)	✓	Deactivated
Cascading	✓	
Teach/sync	✓	

Interfaces

Connection type	Male connector M12, 8-pin
Permitted cable length	≤ 7.5 m ¹⁾
Display elements	LEDs

¹⁾ With a wire cross-section of 0.25 mm².

Electrical data

Protection class	III (EN 50178)
Supply voltage V_S	24 V DC (19.2 V DC ... 28.8 V DC)
Power consumption	≤ 165 mA ¹⁾ ≤ 690 mA ²⁾
Output signal switching devices (OSSDs)	2 PNP semiconductors, short-circuit protected, cross-circuit monitored
ON state, switching voltage HIGH	V _S – 2.7 V DC ... V _S
OFF state, switching voltage LOW	≤ 3.5 V DC

¹⁾ At 24 V DC without output load.

²⁾ Including maximum output load.

Mechanical data

Dimensions (W x H x D)	93.9 mm x 50 mm x 93.9 mm
Weight	+ 355 g
Housing material	Aluminum die cast

Ambient data

Enclosure rating	IP54 (EN 60529)
Ambient operating temperature	0 °C ... +50 °C
Storage temperature	-25 °C ... +70 °C
Air humidity	15 % ... 95 %, Non-condensing
Vibration resistance	5 g, 10 Hz ... 55 Hz (EN 60068-2-6)

Other information

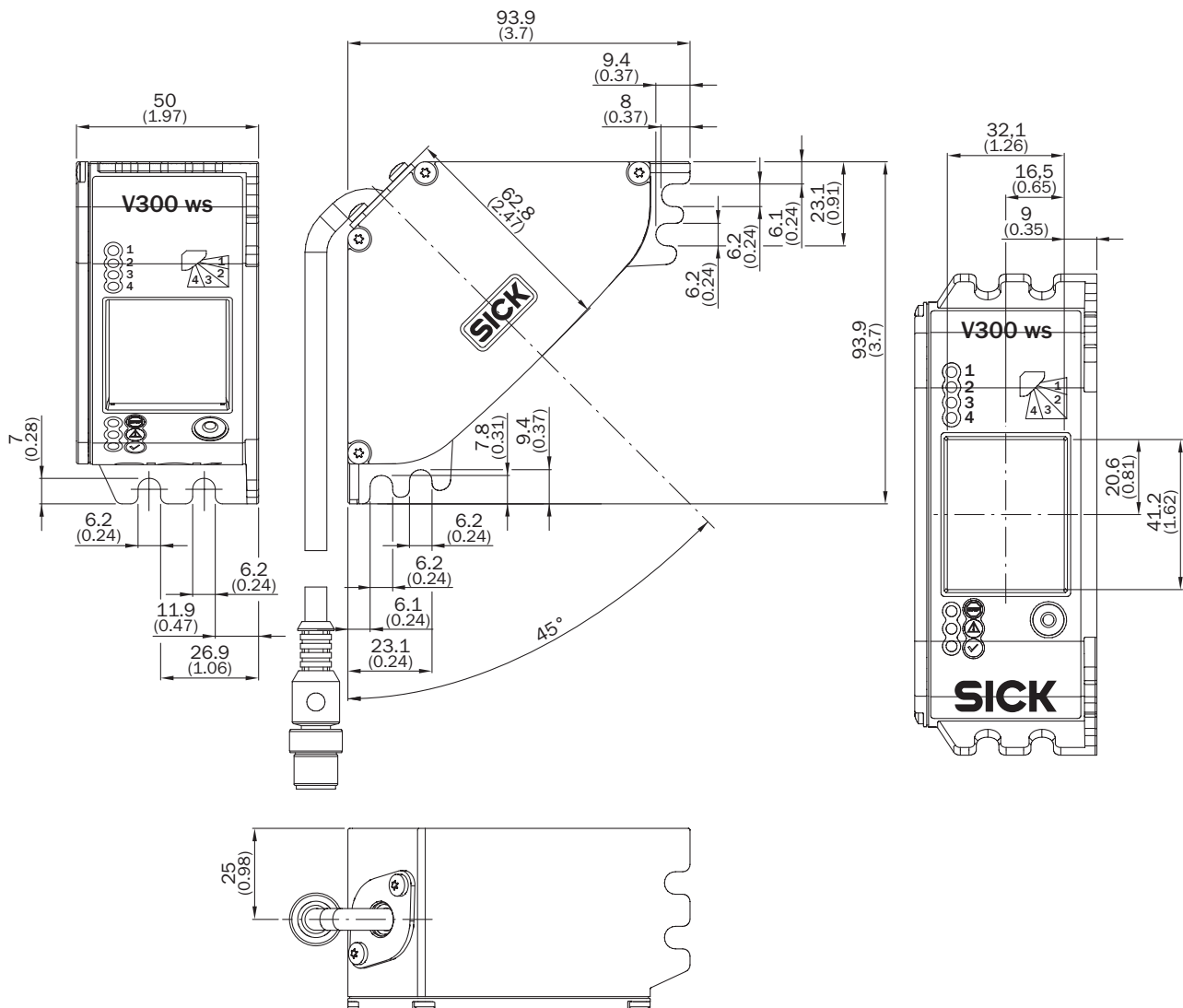
Wave length	850 nm
--------------------	--------

Classifications

eCl@ss 5.0	27272790
eCl@ss 5.1.4	27272790
eCl@ss 6.0	27272790
eCl@ss 6.2	27272790
eCl@ss 7.0	27272790
eCl@ss 8.0	27272790

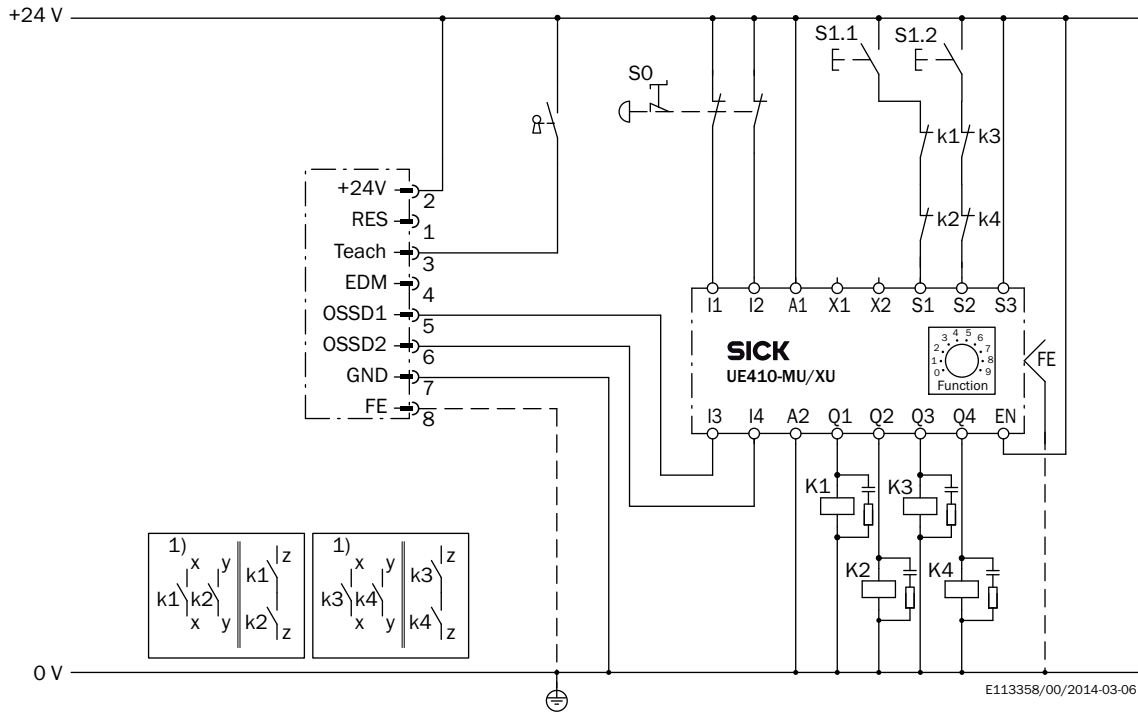
eCl@ss 8.1	27272790
eCl@ss 9.0	27272790
eCl@ss 10.0	27272790
eCl@ss 11.0	27272790
eCl@ss 12.0	27272790
ETIM 5.0	EC001511
ETIM 6.0	EC001511
ETIM 7.0	EC001511
ETIM 8.0	EC001511
UNSPSC 16.0901	39121528

Dimensional drawing (Dimensions in mm (inch))






Connection diagram

Secure camera system to Flexi Classic safety controller



Recommended accessories

Other models and accessories → www.sick.com/V300_Work_Station_Extended

	Brief description	Type	Part no.
Programming and configuration tools			
	Teach-in pin for safety camera systems	Teaching pen	4052939
Sets and kits			
	Resolution set for 20 mm resolution and protective field size from 0.4 x 0.4 m to 1.0 m x 1.0 m	Resolution set 20 mm	2051336
	Resolution set for 24 mm resolution and protective field size from 0.4 x 0.4 m to 1.2 m x 1.2 m	Resolution set 24 mm	2051338
	Resolution set for 30 mm resolution and protective field size from 0.6 x 0.6 m to 1.5 m x 1.5 m	Resolution set 30 mm	2051339
Terminal and alignment brackets			
	Mounting kit for mounting the sensor on the profile frame	Mounting kit	2045375

SICK AT A GLANCE

SICK is one of the leading manufacturers of intelligent sensors and sensor solutions for industrial applications. A unique range of products and services creates the perfect basis for controlling processes securely and efficiently, protecting individuals from accidents and preventing damage to the environment.

We have extensive experience in a wide range of industries and understand their processes and requirements. With intelligent sensors, we can deliver exactly what our customers need. In application centers in Europe, Asia and North America, system solutions are tested and optimized in accordance with customer specifications. All this makes us a reliable supplier and development partner.

Comprehensive services complete our offering: SICK LifeTime Services provide support throughout the machine life cycle and ensure safety and productivity.

For us, that is “Sensor Intelligence.”

WORLDWIDE PRESENCE:

Contacts and other locations –www.sick.com