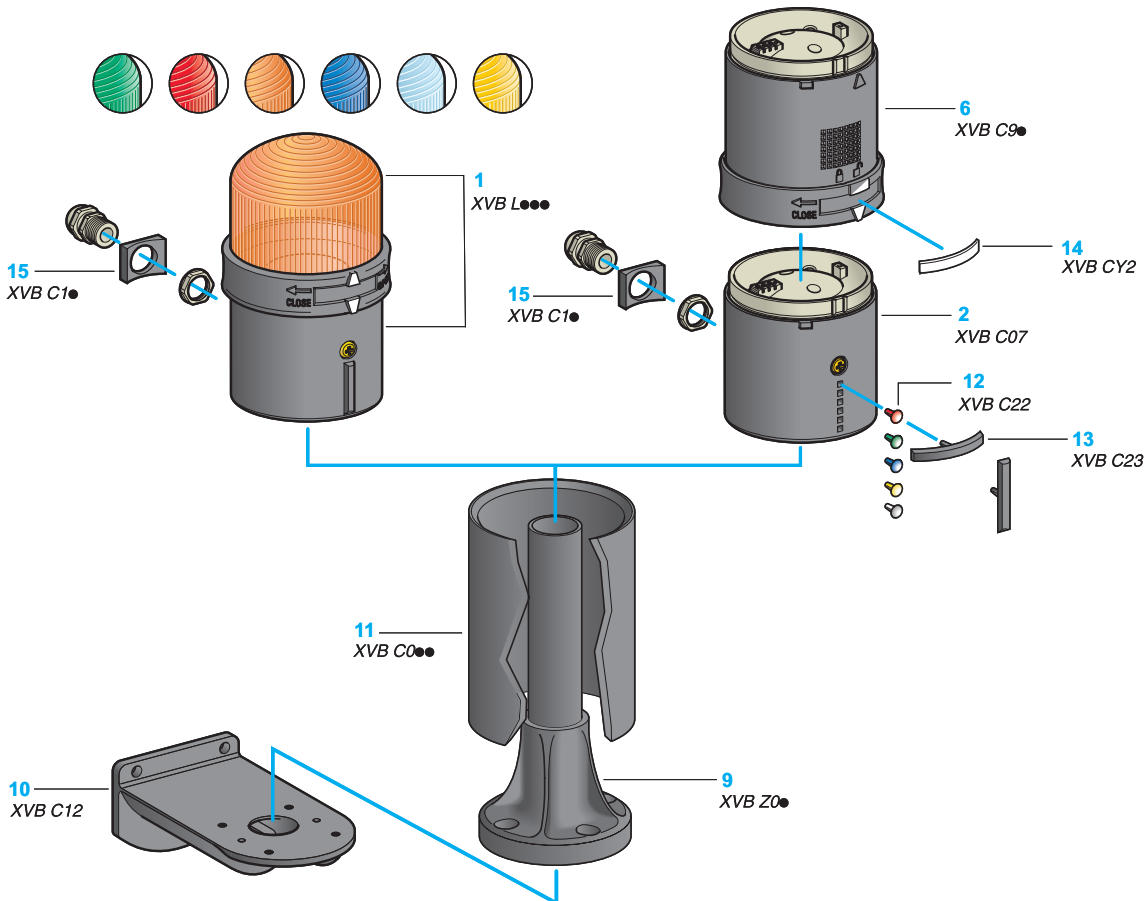
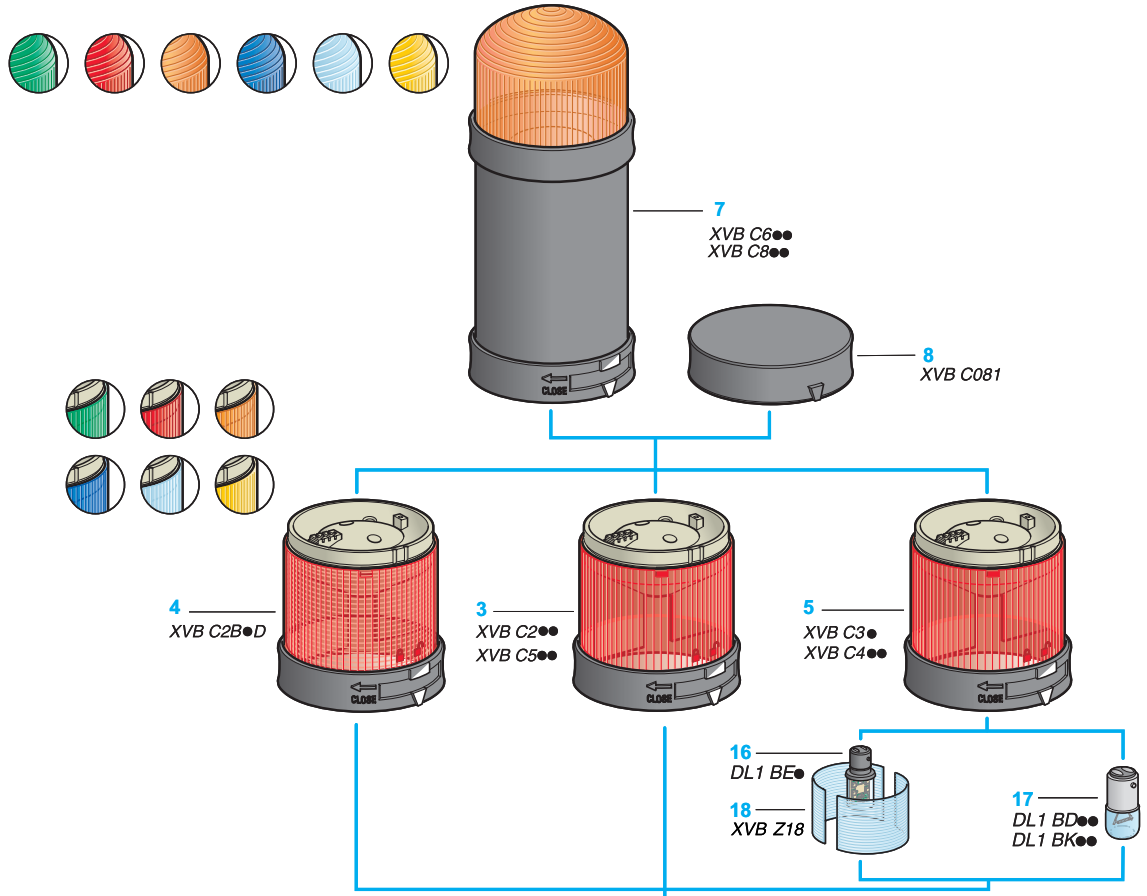


Beacons and indicator banks

Beacons and indicator banks Ø 70 mm
Harmony type XVB Universal



4

Illuminated beacon

Beacons and indicator banks type XVB are visual or audible signalling units used for indicating, throughout 360° and at a distance, the various states or operation sequences of a machine or installation. Examples: start, stop machine, no material, call technical staff, fault signalling, etc.

Complete product XVB L

Ready assembled **1** with a single illuminated signalling unit:

- steady light (with incandescent bulb or LED),
- flashing light (with incandescent bulb or LED),
- or "flash" (with discharge tube).

The **XVB L** beacon comprises:

- A base unit with a removable terminal block and bottom or side cable entry.
- One coloured illuminated unit (green, red, orange, blue, clear or yellow).

Indicator bank

Customer assembled product XVB C

Variable composition assembly of 1 to 5 illuminated or audible units which are supplied as separate items (assembly by user). Maximum configuration: 5 units or 4 units + 1 "flash" unit.

The indicator bank **XVB C** comprises:

- A base unit with a removable terminal block and bottom or side cable entry **2**.
- 1 to 5 coloured illuminated units (green, red, orange, blue, clear or yellow):
 - with integral LED **3**,
 - with integral LED and diffuser **4 (1)**,
 - for incandescent bulbs or base mounted LEDs **5**.
- 1 or 2 audible units **6**.
- A maximum of 1 "flash" discharge unit (5 Joule or 10 Joule) **7**, for mounting on top of the bank.
- A top cover **8** (except when using a "flash" discharge tube).

■ The illuminated or audible units stack vertically and are easily locked and unlocked using an integral clamping ring. Electrical connections between each unit are made automatically.

■ A light diffuser, pre-fitted in illuminated units XVB C2B•D with a base mounted LED, distributes the light evenly over the lens surface. When using the indicator banks in bright ambient light conditions, remove the diffuser to improve contrast.

■ Connection on the AS-Interface cabling system is possible by ordering a dedicated base unit. Please refer to our "Industrial communication in machines and installations" catalogue.

Accessories

For beacons XVB L and indicator banks XVB C

- Fixing base comprising a support tube glued into a plastic fixing plate, for a height beneath the base unit of 80, 380 or 780 mm **9**.
- Fixing plate for mounting on vertical support **10**.
- Support tube concealment cover, height 100, 400 or 800 mm **11**.
- Coloured markers **12 (1)**.
- Legend holder with legend **13 (1)**.
- Legends that attach to locking ring of each signalling unit for identification **14**.
- Adaptor and 13P cable gland **15**.
- Base mounted LED **16** or incandescent bulb **17**.
- Diffuser **18 (2)**.

Installation

Mounting

- Base unit fixed directly onto panel using 2 screws.
- Fixed using a fixing base comprising an aluminium support tube glued into a plastic fixing plate.

Cabling

By means of removable terminal block incorporated in base unit (simplified wiring). The screw and captive cable clamp terminals are protected to prevent any accidental contact with live parts.

(1) These enable the position of the various units (illuminated or audible) to be identified in the event of dismantling the bank.

(2) The diffuser can only be used with LED illuminated units. Not compatible with units fitted with an incandescent bulb or "flash" discharge tube.

Environment characteristics

Product certifications	Standard version		CSA C22-2 n°14, UL 508, CCC, GOST
Conformity to standards			EN/IEC 60947-5-1
Protective treatment	Standard version		"TC"
Ambient air temperature	For storage	°C	- 40...+ 70
	For operation (1)	°C	Illuminated units with steady light signalling: - 25...+ 70, with 7 W incandescent bulb - 25...+ 50, with LED
		°C	Illuminated units with flashing light signalling: - 25...+ 50, with 7 W incandescent bulb - 25...+ 50, with LED
		°C	Illuminated units with "flash" discharge tube: - 25...+ 50
		°C	Audible units: - 25...+ 50, with buzzer
Electric shock protection Conforming to IEC 61140	Mounted on support tube		Class I
	Mounted on base unit		Class II
Degree of protection	Conforming to IEC 60529		IP 65 (mounted on fixing base XVB Z0●) IP 66 (mounted directly on base unit)
	Conforming to UL 508		Type 4X NEMA "Indoor"
Material	Illuminated units		Polycarbonate
	Base unit and cover		Glass-reinforced polyamide and polycarbonate
	Support tube		Painted aluminium
	Fixing plate for use on vertical support		Zamak
	Fixing plate for use on horizontal support		Polyamide 66
	Support tube concealment cover		ABS

(1) Warning: illuminated units with incandescent bulbs must not be combined with LED illuminated units, due to the risk of overheating.
Also, when different units (e.g. steady, flashing...) are combined, the maximum temperature is limited to that of the weaker unit.

4

Beacons and indicator banks

Beacons and indicator banks Ø 70 mm
Harmony type XVB Universal

Electrical characteristics			
Rated insulation voltage (Ui)	Conforming to IEC 60947-1	V	250
Voltage limits	Conforming to IEC 60947-5-1	V	0.85 to 1.10 Un (Un: nominal voltage)
Consumption	LED units	mA	Steady light signalling: ~ 24 V: < 47 ~ 120 V: < 17 ~ 230 V: < 17
		mA	Flashing light signalling: ~ 24 V: < 47 ~ 120 V: < 17 ~ 230 V: < 17
	Units with discharge tube (1)	mA	Flashing light signalling: ~ 24 V: 5 J unit: < 550; 10 J unit: < 1 300 --- 24 V: 5 J unit: < 350; 10 J unit: < 850 ~ 48 V: 10 J unit: < 650 --- 48 V: 10 J unit: < 400 ~ 120 V: 5 J unit: < 140; 10 J unit: < 290 ~ 230 V: 5 J unit: < 105; 10 J unit: < 280
	Audible units	mA	~ 12...48 V: < 15 ~ 120...230 V: < 25
Rated impulse withstand voltage	Conforming to IEC 60947-1	kV	Uimp = 4
Light source	Illuminated units with steady or flashing light signalling		LEDs: degree of pollution 2 Bulbs with BA 15d base fitting, maximum power 7 W
Illuminating power	Units with discharge tube	cds	13 (integral high intensity tube) with clear lens unit: 5 J tube 26 (integral high intensity tube) with clear lens unit: 10 J tube
Audible unit	Continuous or intermittent tone	dB	90 at 1 m
	Fundamental frequency	kHz	2.8
Terminal referencing			1 terminal referenced "C" common to all 5 units
			1 or 5 terminals referenced 1 to 5, depending on number of units
Connection	Maximum clamping capacity on protected, ready-to-tighten, screw and captive cable clamp terminals	mm²	1 x 1.5 with cable end
Frequency of illuminated units	Illuminated units with flashing light signalling	Hz	1
	Illuminated units with discharge tube	Hz	1

(1) **Warning:** illuminated units with a "flash" discharge tube are not suitable for steady light signalling due to the heat generated.

Beacons and indicator banks

Illuminated beacons Ø 70 mm

Harmony type XVB L Universal

Complete beacons for incandescent bulbs or LEDs
(BA 15d base fitting)

XVB L3●



XVB L4B●

Beacons with steady light signalling

Description	Light source, to be ordered separately (1)	Colour	Reference	Weight kg
Complete unit comprising: - 1 illuminated unit - 1 base unit (direct or tube fixing)	Incandescent bulb 7 W max. 250 V max.	Green	XVB L33	0.260
		Red	XVB L34	0.260
		Orange	XVB L35	0.260
		Blue	XVB L36	0.260
		Clear	XVB L37	0.260
		Yellow	XVB L38	0.260

Beacons with integral flashing light signalling

Description	Light source, to be ordered separately (1)	Colour	Reference	Weight kg	
Complete unit comprising: - 1 illuminated unit - 1 base unit (direct or tube fixing)	Incandescent bulb 7 W max. ~ 24 V --- 24...48 V	Green	XVB L4B3	0.280	
		Red	XVB L4B4	0.280	
		Orange	XVB L4B5	0.280	
		Blue	XVB L4B6	0.280	
		Clear	XVB L4B7	0.280	
		Yellow	XVB L4B8	0.280	
		Incandescent bulb 7 W max. ~ 48...230 V	Green	XVB L4M3	0.280
			Red	XVB L4M4	0.280
Orange	XVB L4M5		0.280		
Blue	XVB L4M6		0.280		
Clear	XVB L4M7		0.280		
Yellow	XVB L4M8		0.280		

(1) Incandescent bulbs and LEDs, see page 4/43.

Beacons and indicator banks

Illuminated beacons Ø 70 mm

Harmony type XVB L Universal

Complete beacons with LED light source



XVB L0B●

Beacons with steady light signalling

Description	Light source	Colour	Reference	Weight kg		
Complete unit comprising: - 1 illuminated unit - 1 base unit (direct or tube fixing)	LED, included ≈ 24 V	Green	XVB L0B3	0.270		
		Red	XVB L0B4	0.270		
		Orange	XVB L0B5	0.270		
		Blue	XVB L0B6	0.270		
		Clear	XVB L0B7	0.270		
		Yellow	XVB L0B8	0.270		
		Protected [®] LED	LED, included ~ 120 V	Green	XVB L0G3	0.270
				Red	XVB L0G4	0.270
Orange	XVB L0G5			0.270		
Blue	XVB L0G6			0.270		
Clear	XVB L0G7			0.270		
Yellow	XVB L0G8			0.270		
LED, included ~ 230 V				Green	XVB L0M3	0.270
				Red	XVB L0M4	0.270
		Orange	XVB L0M5	0.270		
		Blue	XVB L0M6	0.270		
		Clear	XVB L0M7	0.270		
		Yellow	XVB L0M8	0.270		



XVB L1B●

Beacons with integral flashing light signalling

Description	Light source	Colour	Reference	Weight kg		
Complete unit comprising: - 1 illuminated unit - 1 base unit (direct or tube fixing)	LED, included ≈ 24 V	Green	XVB L1B3	0.280		
		Red	XVB L1B4	0.280		
		Orange	XVB L1B5	0.280		
		Blue	XVB L1B6	0.280		
		Clear	XVB L1B7	0.280		
		Yellow	XVB L1B8	0.280		
		Protected [®] LED	LED, included ~ 120 V	Green	XVB L1G3	0.280
				Red	XVB L1G4	0.280
Orange	XVB L1G5			0.280		
Blue	XVB L1G6			0.280		
Clear	XVB L1G7			0.280		
Yellow	XVB L1G8			0.280		
LED, included ~ 230 V				Green	XVB L1M3	0.280
				Red	XVB L1M4	0.280
		Orange	XVB L1M5	0.280		
		Blue	XVB L1M6	0.280		
		Clear	XVB L1M7	0.280		
		Yellow	XVB L1M8	0.280		

Beacons and indicator banks

Illuminated beacons Ø 70 mm

Harmony type XVB L Universal

Complete beacons with “flash” discharge tube



XVB L6B●



XVB L8B●

4

Beacons with 5 Joule “flash” discharge tube

Description	Light source	Colour	Reference	Weight kg	
Complete unit comprising: - 1 illuminated unit - 1 base unit (direct or tube fixing)	Integral “flash” discharge tube ≈ 24 V	Green	XVB L6B3	0.440	
		Red	XVB L6B4	0.440	
		Orange	XVB L6B5	0.440	
		Blue	XVB L6B6	0.440	
		Clear	XVB L6B7	0.440	
		Yellow	XVB L6B8	0.440	
		Integral “flash” discharge tube ~ 120 V	Green	XVB L6G3	0.425
			Red	XVB L6G4	0.425
			Orange	XVB L6G5	0.425
Blue	XVB L6G6		0.425		
Clear	XVB L6G7		0.425		
Integral “flash” discharge tube ~ 230 V	Green	XVB L6M3	0.435		
	Red	XVB L6M4	0.435		
	Orange	XVB L6M5	0.435		
	Blue	XVB L6M6	0.435		
	Clear	XVB L6M7	0.435		
Yellow	XVB L6M8	0.435			

Beacons with 10 Joule “flash” discharge tube

Description	Light source	Colour	Reference	Weight kg	
Complete unit comprising: - 1 illuminated unit - 1 base unit (direct or tube fixing)	Integral “flash” discharge tube ≈ 24 V	Green	XVB L8B3	0.450	
		Red	XVB L8B4	0.450	
		Orange	XVB L8B5	0.450	
		Blue	XVB L8B6	0.450	
		Clear	XVB L8B7	0.450	
		Yellow	XVB L8B8	0.450	
		Integral “flash” discharge tube ~ 120 V	Green	XVB L8G3	0.460
			Red	XVB L8G4	0.460
			Orange	XVB L8G5	0.460
Blue	XVB L8G6		0.460		
Clear	XVB L8G7		0.460		
Integral “flash” discharge tube ~ 230 V	Green	XVB L8M3	0.460		
	Red	XVB L8M4	0.460		
	Orange	XVB L8M5	0.460		
	Blue	XVB L8M6	0.460		
	Clear	XVB L8M7	0.460		
Yellow	XVB L8M8	0.460			

Beacons and indicator banks

Indicator banks Ø 70 mm

Harmony type XVB C Universal (customer assembly, up to 5 units)

Illuminated units for incandescent bulbs or LEDs
(BA 15d base fitting)

For use with base unit XVB C●●: see page 4/42



XVB C3●



XVB C4●●

Illuminated units with steady light signalling

Description	Light source, to be ordered separately (1)	Colour	Reference	Weight kg
Illuminated units	Incandescent bulb 7 W max. 250 V max. or LED	Green	XVB C33	0.140
		Red	XVB C34	0.140
		Orange	XVB C35	0.140
		Blue	XVB C36	0.140
		Clear	XVB C37	0.140
		Yellow	XVB C38	0.140

Illuminated units with integral flashing light signalling

Description	Light source, to be ordered separately (1)	Colour	Reference	Weight kg	
Illuminated units	Incandescent bulb 7 W max. ~ 24 V ~ 24...48 V or LED	Green	XVB C4B3	0.160	
		Red	XVB C4B4	0.160	
		Orange	XVB C4B5	0.160	
		Blue	XVB C4B6	0.160	
		Clear	XVB C4B7	0.160	
		Yellow	XVB C4B8	0.160	
		Incandescent bulb 7 W max. ~ 48...230 V or LED	Green	XVB C4M3	0.160
			Red	XVB C4M4	0.160
	Orange		XVB C4M5	0.160	
	Blue		XVB C4M6	0.160	
	Clear		XVB C4M7	0.160	
	Yellow		XVB C4M8	0.160	

(1) Incandescent bulbs and LEDs, see page 4/43.

Beacons and indicator banks

Indicator banks Ø 70 mm

Harmony type XVB C Universal (customer assembly, up to 5 units)

Illuminated units with integral LED

For use with base unit XVB C●●: see page 4/42



XVB C2●●

Illuminated units with steady light signalling

Description	Voltage	Colour	Reference	Weight kg
Illuminated units with integral LED	≈ 24 V	Green	XVB C2B3 (1)	0.150
		Red	XVB C2B4 (1)	0.150
		Orange	XVB C2B5 (1)	0.150
		Blue	XVB C2B6 (1)	0.150
		Clear	XVB C2B7 (1)	0.150
		Yellow	XVB C2B8 (1)	0.150
	~ 120 V	Green	XVB C2G3	0.150
		Red	XVB C2G4	0.150
		Orange	XVB C2G5	0.150
		Blue	XVB C2G6	0.150
		Clear	XVB C2G7	0.150
		Yellow	XVB C2G8	0.150
	~ 230 V	Green	XVB C2M3	0.150
		Red	XVB C2M4	0.150
		Orange	XVB C2M5	0.150
Blue		XVB C2M6	0.150	
Clear		XVB C2M7	0.150	
Yellow		XVB C2M8	0.150	

Protected LED

4



XVB C5●●

Illuminated units with integral flashing light signalling

Description	Voltage	Colour	Reference	Weight kg
Illuminated units with integral LED	≈ 24 V	Green	XVB C5B3	0.170
		Red	XVB C5B4	0.170
		Orange	XVB C5B5	0.170
		Blue	XVB C5B6	0.170
		Clear	XVB C5B7	0.170
		Yellow	XVB C5B8	0.170
	~ 120 V	Green	XVB C5G3	0.170
		Red	XVB C5G4	0.170
		Orange	XVB C5G5	0.170
		Blue	XVB C5G6	0.170
		Clear	XVB C5G7	0.170
		Yellow	XVB C5G8	0.170
	~ 230 V	Green	XVB C5M3	0.170
		Red	XVB C5M4	0.170
		Orange	XVB C5M5	0.170
Blue		XVB C5M6	0.170	
Clear		XVB C5M7	0.170	
Yellow		XVB C5M8	0.170	

Protected LED

(1) To order an illuminated unit with integral LED pre-fitted with light diffuser XVB Z18, add the letter "D" to the end of the reference. Example: XVB C2B3D.

Beacons and indicator banks

Indicator banks Ø 70 mm

Harmony type XVB C Universal (customer assembly, up to 5 units)

Illuminated units with integral "flash" discharge tube

For use with base unit XVB C●●: see page 4/42



XVB C6●●



XVB C8●●

Illuminated units with 5 Joule "flash" discharge tube

Description	Light source	Colour	Reference	Weight kg	
Illuminated units	Integral "flash" discharge tube ~ 24 V	Green	XVB C6B3	0.295	
		Red	XVB C6B4	0.295	
		Orange	XVB C6B5	0.295	
		Blue	XVB C6B6	0.295	
		Clear	XVB C6B7	0.295	
		Yellow	XVB C6B8	0.295	
		Integral "flash" discharge tube ~ 120 V	Green	XVB C6G3	0.280
			Red	XVB C6G4	0.280
	Orange		XVB C6G5	0.280	
	Blue		XVB C6G6	0.280	
	Clear		XVB C6G7	0.280	
	Yellow		XVB C6G8	0.280	
	Integral "flash" discharge tube ~ 230 V	Green	XVB C6M3	0.290	
		Red	XVB C6M4	0.290	
		Orange	XVB C6M5	0.290	
		Blue	XVB C6M6	0.290	
		Clear	XVB C6M7	0.290	
		Yellow	XVB C6M8	0.290	

Illuminated units with 10 Joule "flash" discharge tube

Description	Light source	Colour	Reference	Weight kg	
Illuminated units	Integral "flash" discharge tube ~ 24 V	Green	XVB C8B3	0.305	
		Red	XVB C8B4	0.305	
		Orange	XVB C8B5	0.305	
		Blue	XVB C8B6	0.305	
		Clear	XVB C8B7	0.305	
		Yellow	XVB C8B8	0.305	
		Integral "flash" discharge tube ~ 48 V	Orange	XVB C8E5	0.315
	Integral "flash" discharge tube ~ 120 V	Green	XVB C8G3	0.315	
		Red	XVB C8G4	0.315	
		Orange	XVB C8G5	0.315	
		Blue	XVB C8G6	0.315	
		Clear	XVB C8G7	0.315	
		Yellow	XVB C8G8	0.315	
	Integral "flash" discharge tube ~ 230 V	Green	XVB C8M3	0.315	
		Red	XVB C8M4	0.315	
		Orange	XVB C8M5	0.315	
		Blue	XVB C8M6	0.315	
		Clear	XVB C8M7	0.315	
		Yellow	XVB C8M8	0.315	

Beacons and indicator banks

Indicator banks Ø 70 mm

Harmony type XVB C Universal (customer assembly, up to 5 units)

Audible units, base units, cover, accessories



XVB C9e

Audible units			
Description	Characteristics	Reference	Weight kg
Buzzer, 90 dB at 1 m Adjustable: - 70 or 90 dB - continuous or intermittent tone using microswitch	≈ 12...48 V	XVB C9B	0.170
	≈ 120...230 V	XVB C9M	0.180

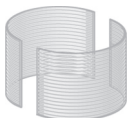
Base units (for direct or tube fixing)				
Description	For use with	Type	Reference	Weight kg
Base unit + cover with bottom or side cable entry	Banks without "flash" discharge tube unit	Standard	XVB C21	0.190
Base unit only with bottom or side cable entry	Banks with "flash" discharge tube unit	Standard	XVB C07	0.160
Base unit + cover with side cable entry	All types of bank	AS-Interface (1)	XVB C21A	–
Base unit + cover with bottom entry, pre-cabled (length 1 metre) and fitted with M12 end connector	All types of bank	AS-Interface (1)	XVB C21B	–

(1) For further information on AS-Interface connections, refer to our "Industrial communication in machines and installations" catalogue.

Accessories specific to indicator banks XVB C			
Description	Application	Unit reference	Weight kg
Cover only	For use with XVB C2, XVB C3, XVB C4, XVB C5 and XVB C9	XVB C081	0.030
Set of 6 coloured markers	For identification of the position of units in the event of dismantling the bank	XVB C22	0.001
Set of 5 legend holders	For identification of stacked units on base unit	XVB C23	0.002
Sheet of 85 legends	For use with base unit legend holder XVB C23	XVB CY1	0.005
Sheet of 52 legends	For identification of stacked units, used on locking ring	XVB CY2	0.005
Adaptor for side entry through base unit	With 13P cable gland	XVB C14	0.015
SIS labelling software (in English, French, German, Italian and Spanish)	For creating legends	XBY 2U	0.100
Light diffuser, clear plastic (Sold in boxes)	Only for use with LED illuminated units (all colours) One box allows to equip 5 illuminated units.	XVB Z18	0.080



XVB C07



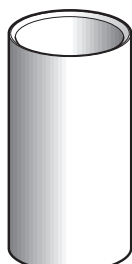
XVB Z18

Beacons and indicator banks

Beacons and indicator banks Ø 70 mm

Harmony type XVB Universal

Accessories



XVB C020



XVB Z01



XVB C12



DL1 B



DL1 BD/ DL1 BK

Accessories common to beacons XVB L and indicator banks XVB C

Description	Height under base unit (mm)	Colour	Reference	Weight kg
Fixing bases comprising Ø 25 mm aluminium support tube glued into a black plastic fixing plate	80	Black aluminium	XVB Z02	0.110
	380	Aluminium	XVB Z02A	0.110
		Black aluminium	XVB Z03	0.200
	780	Aluminium	XVB Z03A	0.200
		Black aluminium	XVB Z04	0.325
			Aluminium	XVB Z04A

Description	For use with	Material	Reference	Weight kg
Support tube concealment cover	Support tubes XVB Z02, XVB Z02A	ABS	XVB C020	0.080
	Support tubes XVB Z03, XVB Z03A	ABS	XVB C030	0.305
	Support tubes XVB Z04, XVB Z04A	ABS	XVB C040	0.610
Ø 25 mm aluminium support tube	Fixing plate XVB Z01 (to be glued into the plastic fixing plate)	Plastic	XVB Z14	0.690
Fixing plate for use on horizontal support	Ø 25 mm aluminium support tube	Plastic	XVB Z01	0.050
Fixing plate for use on vertical support	Base unit (direct mounting), fixing plate XVB Z01 or fixing bases XVB Z0	Zamak	XVB C12	0.380

Description	Characteristics		Sold in lots of	Unit reference	Weight kg
Incandescent bulbs BA 15d base fitting	12 V	7 W	10	DL1 BEJ	0.090
	24 V	6.5 W	10	DL1 BEB	0.090
	48 V	6 W	10	DL1 BEE	0.090
	120 V	7 W	10	DL1 BEG	0.090
	230 V	7 W	10	DL1 BEM	0.090

LEDs BA 15d base fitting	~ 24 V	White	1	DL1 BDB1	0.015	
Protected LED	~ 24 V	Green	1	DL1 BDB3	0.015	
		Red	1	DL1 BDB4	0.015	
		Orange	1	DL1 BDB5	0.015	
		Blue	1	DL1 BDB6	0.015	
		Yellow	1	DL1 BDB8	0.015	
		~ 120 V	White	1	DL1 BDG1	0.015
			Green	1	DL1 BDG3	0.015
			Red	1	DL1 BDG4	0.015
Orange	1		DL1 BDG5	0.015		
~ 230 V	Blue	1	DL1 BDG6	0.015		
	Yellow	1	DL1 BDG8	0.015		
	White	1	DL1 BDM1	0.015		
	Green	1	DL1 BDM3	0.015		
	Red	1	DL1 BDM4	0.015		
	Orange	1	DL1 BDM5	0.015		
	Blue	1	DL1 BDM6	0.015		
	Yellow	1	DL1 BDM8	0.015		

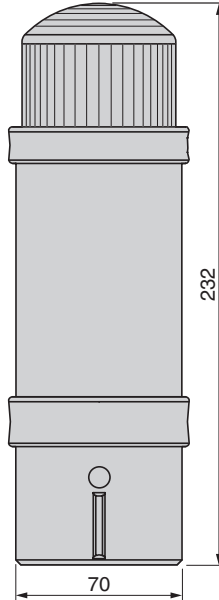
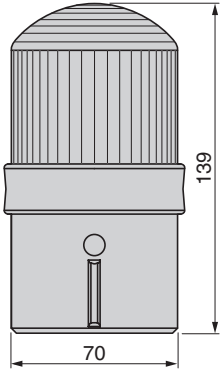
Flashing LEDs BA 15d base fitting	~ 24 V	White	1	DL1 BKB1	0.015	
Protected LED	~ 24 V	Green	1	DL1 BKB3	0.015	
		Red	1	DL1 BKB4	0.015	
		Orange	1	DL1 BKB5	0.015	
		Blue	1	DL1 BKB6	0.015	
		Yellow	1	DL1 BKB8	0.015	
		~ 120 V	White	1	DL1 BKG1	0.015
			Green	1	DL1 BKG3	0.015
			Red	1	DL1 BKG4	0.015
	Orange		1	DL1 BKG5	0.015	
	~ 230 V	Blue	1	DL1 BKG6	0.015	
		Yellow	1	DL1 BKG8	0.015	
		White	1	DL1 BKM1	0.015	
		Green	1	DL1 BKM3	0.015	
		Red	1	DL1 BKM4	0.015	
		Orange	1	DL1 BKM5	0.015	
		Blue	1	DL1 BKM6	0.015	
Yellow		1	DL1 BKM8	0.015		

Dimensions

Illuminated beacons XVB L●●●

For BA 15d bulb or LED

With "flash" discharge tube unit

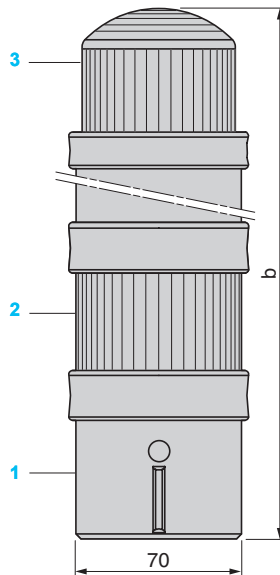
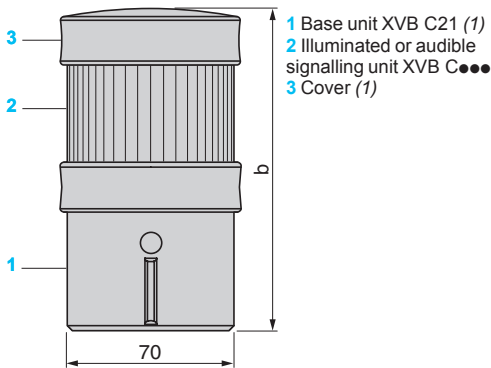


4

Indicator banks XVB C●●●

Without "flash" discharge tube unit

With "flash" discharge tube unit



- 1 Base unit XVB C21 (1)
- 2 Illuminated or audible signalling unit XVB C●●●
- 3 Cover (1)

- 1 Base unit XVB C07
- 2 Illuminated or audible signalling unit XVB C●●●
- 3 "Flash" unit XVB C●●●

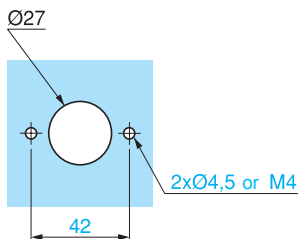
Number of illuminated or audible signalling units (no "flash")	b
1	138
2	201
3	264
4	327
5	390

Number of illuminated or audible signalling units other than "flash" tube	b
1	295
2	358
3	421
4	484

(1) Base unit XVB C21 is supplied with a cover.

Panel cut-out for direct fixing

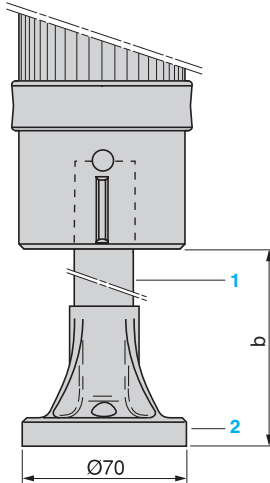
On base unit XVB C21, XVB C07, XVB C21A or XVB C21B



Dimensions

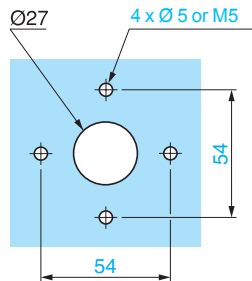
With fixing bases comprising XVB Z0● (aluminium support tube glued into black plastic fixing plate)

Horizontal support panel cut-out for mounting on fixing plate



Fixing base comprising XVB Z0● (Ø 25 mm support tube 1 glued into plastic fixing plate 2)

XVB	b
Z02/Z02A	80
Z03/Z03A	380
Z04/Z04A	780

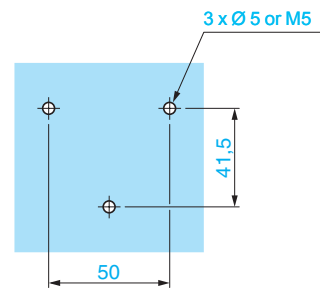
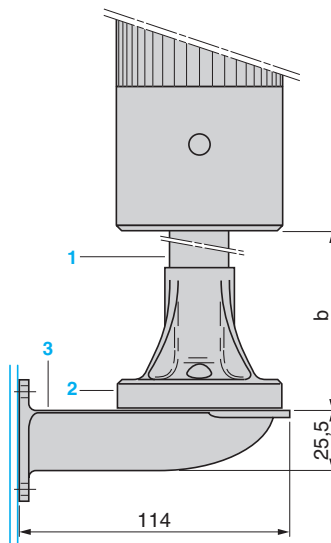
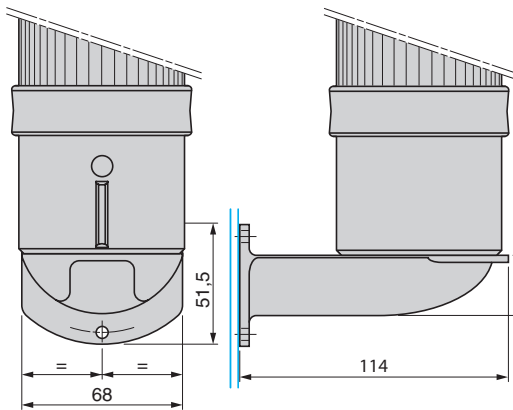


With fixing plate XVB C12 for use on vertical support

Direct mounting on base unit

Mounting using fixing base XVB Z0● (aluminium support tube glued into black plastic fixing plate)

Vertical support panel drillings for mounting fixing plate XVB C12



Fixing base comprising XVB Z0● (Ø 25 mm support tube 1 glued into plastic fixing plate 2) mounted on fixing plate XVB C12 for vertical support 3

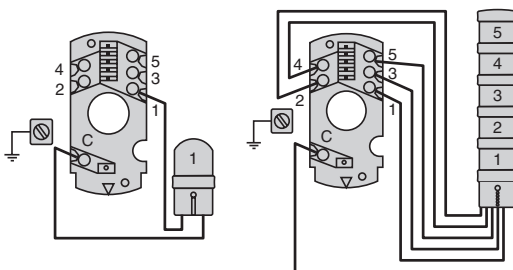
XVB	b
Z02/Z02A	80
Z03/Z03A	380
Z04/Z04A	780

Installation

Connections

XVB L

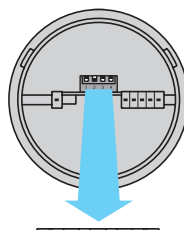
XVB C



Adjustment of audible signal for buzzers type XVB C9●

By means of 4 microswitches located in the base of the buzzer:

- 2 switches marked 1 and 2 for selecting continuous or intermittent mode (Hz).
- 2 switches marked 3 and 4 for selecting the power (dB) of the audible signal.



Position of microswitches		Setting
1	2	Mode
1	1	— 2.8 kHz
1	0	— 2.8 kHz
0	1	⏏ 5 Hz (1)
0	0	⏏ 1 Hz
3	4	Power
1	1	90 dB (1)
0	1	85 dB
1	0	80 dB
0	0	70 dB

(1) Factory setting.