



CONTACTOR, AC-3 22 KW/400 V, AC 230 V, 50 HZ, 3-POLE, SIZE S2, SCREW CONNECTION

Figure similar

product brand name	SIRIUS
Product designation	power contactor

General technical data:

Insulation voltage	
• Rated value	690 V
Degree of pollution	3
Surge voltage resistance Rated value	6 kV
Mechanical service life (switching cycles)	
• of the contactor typical	10 000 000
• of the contactor with added electronics-compatible auxiliary switch block typical	5 000 000
• of the contactor with added auxiliary switch block typical	10 000 000
Thermal short-time current restricted to 10 s	400 A
Protection class IP	
• on the front	IP00
• of the terminal	IP00
Equipment marking	
• acc. to DIN EN 61346-2	Q
• acc. to DIN EN 81346-2	Q

Main circuit:

Number of poles for main current circuit	3
Number of NC contacts for main contacts	0
Number of NO contacts for main contacts	3
Operating current	

<ul style="list-style-type: none"> • at AC-1 <ul style="list-style-type: none"> — at 400 V at ambient temperature 40 °C Rated value — up to 690 V at ambient temperature 40 °C Rated value — up to 690 V at ambient temperature 60 °C Rated value • at AC-3 <ul style="list-style-type: none"> — at 400 V Rated value — at 690 V Rated value • at AC-4 at 400 V Rated value 	<p>60 A</p> <p>60 A</p> <p>55 A</p> <p>50 A</p> <p>24 A</p> <p>41 A</p>
<p>Operating current with 1 current path</p> <ul style="list-style-type: none"> • at DC-1 <ul style="list-style-type: none"> — at 24 V Rated value — at 110 V Rated value • at DC-3 at DC-5 <ul style="list-style-type: none"> — at 24 V Rated value — at 110 V Rated value 	<p>55 A</p> <p>4.5 A</p> <p>35 A</p> <p>2.5 A</p>
<p>Operating current with 2 current paths in series</p> <ul style="list-style-type: none"> • at DC-1 <ul style="list-style-type: none"> — at 24 V Rated value — at 110 V Rated value • at DC-3 at DC-5 <ul style="list-style-type: none"> — at 110 V Rated value — at 24 V Rated value 	<p>55 A</p> <p>25 A</p> <p>25 A</p> <p>55 A</p>
<p>Operating current with 3 current paths in series</p> <ul style="list-style-type: none"> • at DC-1 <ul style="list-style-type: none"> — at 24 V Rated value — at 110 V Rated value • at DC-3 at DC-5 <ul style="list-style-type: none"> — at 110 V Rated value — at 24 V Rated value 	<p>55 A</p> <p>55 A</p> <p>55 A</p> <p>55 A</p>
<p>Operating power</p> <ul style="list-style-type: none"> • at AC-1 <ul style="list-style-type: none"> — at 230 V at 60 °C Rated value — at 690 V at 60 °C Rated value 	<p>22 kW</p> <p>66 kW</p>
<p>Operating power for ≥ 200000 operating cycles at AC-4</p> <ul style="list-style-type: none"> • at 400 V Rated value • at 690 V Rated value 	<p>12.6 kW</p> <p>11.4 kW</p>
<p>Active power loss at AC-3 at 400 V for rated value of the operating current per conductor</p>	<p>5 W</p>

Operating frequency	
<ul style="list-style-type: none"> • at AC-1 maximum • at AC-2 maximum • at AC-3 maximum • at AC-4 maximum 	<p>1 000 1/h</p> <p>400 1/h</p> <p>800 1/h</p> <p>300 1/h</p>
No-load switching frequency	
<ul style="list-style-type: none"> • with AC 	5 000 1/h

Control circuit/ Control:

Type of voltage of the control supply voltage	AC
Control supply voltage with AC	
<ul style="list-style-type: none"> • at 50 Hz Rated value • Rated value 	<p>230 V</p> <p>50 Hz</p>
Operating range factor control supply voltage rated value of the magnet coil with AC	
<ul style="list-style-type: none"> • at 50 Hz 	0.8 ... 1.1

Auxiliary circuit:

Number of NC contacts	
<ul style="list-style-type: none"> • for auxiliary contacts <ul style="list-style-type: none"> — instantaneous contact 	0
Number of NO contacts	
<ul style="list-style-type: none"> • for auxiliary contacts <ul style="list-style-type: none"> — instantaneous contact 	0
Operating current at AC-15	
<ul style="list-style-type: none"> • at 230 V Rated value • at 400 V Rated value 	<p>6 A</p> <p>3 A</p>
Contact reliability of the auxiliary contacts	1 faulty switching per 100 million (17 V, 1 mA)

UL/CSA ratings:

Contact rating of the auxiliary contacts acc. to UL	A600 / Q600
--	-------------

Short-circuit:

Design of the fuse link	
<ul style="list-style-type: none"> • for short-circuit protection of the main circuit <ul style="list-style-type: none"> — with type of assignment 1 required — with type of assignment 2 required • for short-circuit protection of the auxiliary switch required 	<p>fuse gL/gG: 160 A</p> <p>fuse gL/gG: 80 A</p> <p>fuse gL/gG: 10 A</p>

Installation/ mounting/ dimensions:

Mounting type	screw and snap-on mounting onto 35 mm standard mounting rail according to DIN EN 50022
<ul style="list-style-type: none"> • Side-by-side mounting 	Yes
Height	112 mm
Width	55 mm

Depth	115 mm
Required spacing	
<ul style="list-style-type: none"> • for grounded parts <li style="padding-left: 20px;">— at the side 	6 mm

Connections/ Terminals:

Type of electrical connection	
<ul style="list-style-type: none"> • for main current circuit • for auxiliary and control current circuit 	<p>screw-type terminals</p> <p>screw-type terminals</p>
Type of connectable conductor cross-section	
<ul style="list-style-type: none"> • for main contacts <ul style="list-style-type: none"> — solid — stranded — single or multi-stranded — finely stranded with core end processing — finely stranded without core end processing • for AWG conductors for main contacts • for auxiliary contacts <ul style="list-style-type: none"> — solid — finely stranded with core end processing • for AWG conductors for auxiliary contacts 	<p>2x (0.75 ... 16 mm²)</p> <p>2x (0.75 ... 25 mm²)</p> <p>2x (0,75 ... 16 mm²)</p> <p>2x (0.75 ... 16 mm²)</p> <p>2x (0.75 ... 16 mm²)</p> <p>2x (18 ... 2)</p> <p>2x (0.5 ... 1.5 mm²), 2x (0.75 ... 2.5 mm²), max. 2x (0.75 ... 4 mm²)</p> <p>2x (0.5 ... 1.5 mm²), 2x (0.75 ... 2.5 mm²)</p> <p>2x (20 ... 16), 2x (18 ... 14), 1x 12</p>

Mechanical data:

Size of contactor	S2
--------------------------	----

Ambient conditions:

Installation altitude at height above sea level maximum	2 000 m
Ambient temperature	
<ul style="list-style-type: none"> • during operation • during storage 	<p>-25 ... +60 °C</p> <p>-55 ... +80 °C</p>

Certificates/ approvals:

General Product Approval	Functional Safety/Safety of Machinery	Declaration of Conformity	Test Certificates
--------------------------	---------------------------------------	---------------------------	-------------------



[Type Examination](#)



[Type Test Certificates/Test Report](#)

Test Certificates	Shipping Approval
-------------------	-------------------

[Special Test Certificate](#)



ABS



DNV



GL



LRS



RINA

Shipping Approval	other
-------------------	-------



RMRS

[Environmental Confirmations](#)

[Confirmation](#)

[other](#)

Further information

Information- and Downloadcenter (Catalogs, Brochures,...)

<http://www.siemens.com/industrial-controls/catalogs>

Industry Mall (Online ordering system)

<http://www.siemens.com/industrymall>

Cax online generator

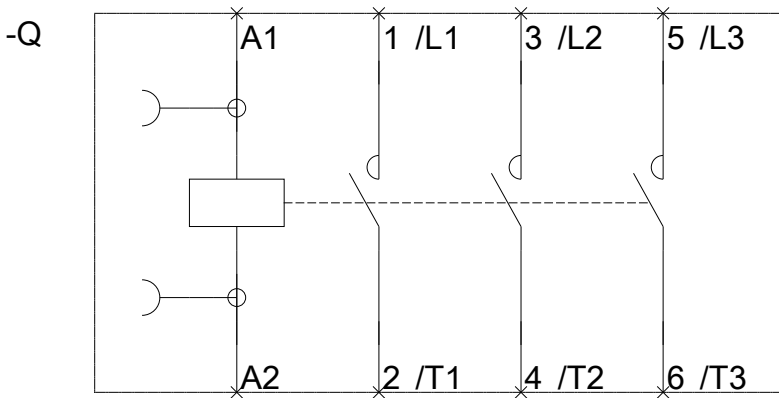
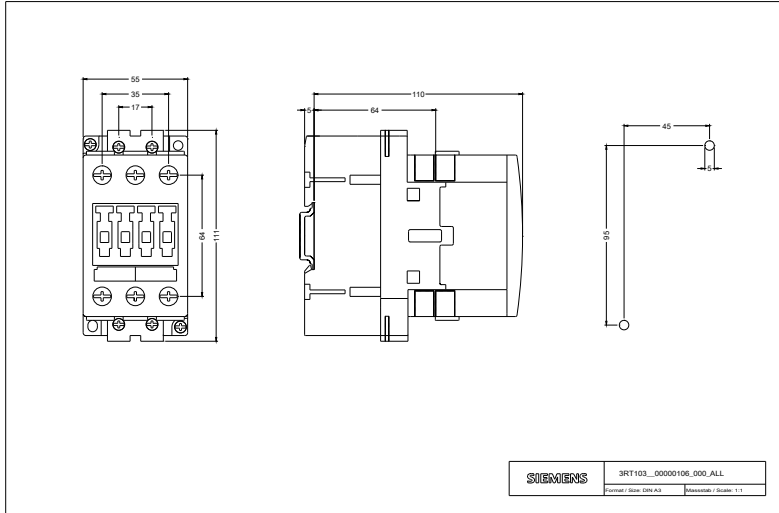
<http://support.automation.siemens.com/WW/CAXorder/default.aspx?lang=en&mfb=3RT10361AP00>

Service&Support (Manuals, Certificates, Characteristics, FAQs,...)

<https://support.industry.siemens.com/cs/ww/en/ps/3RT10361AP00>

Image database (product images, 2D dimension drawings, 3D models, device circuit diagrams, EPLAN macros, ...)

http://www.automation.siemens.com/bilddb/cax_de.aspx?mfb=3RT10361AP00&lang=en



last modified:

27.04.2015