

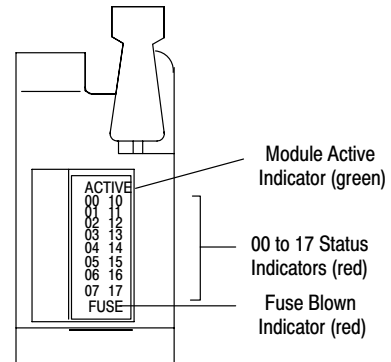
AC Output Module (Cat. No. 1771-OAD Series C)

Specifications (Cat. No. 1771-OAD Series C)

Outputs per Module	16	
Module Location	1771-A1B thru -A4B or later I/O chassis, 1771-AM1, -AM2 I/O chassis	
Output Voltage Range	10 to 138V ac @ 47 – 63Hz	
Output Current Rating	2A per output – not to exceed 8A per module	
Surge Current (maximum)	25A per output for 100ms, repeatable every 1 second 25A per module for 100ms, repeatable every 1 second	
Load Current (minimum)	5mA per output	
On-State Voltage Drop (max.)	1.5V at load current < 50mA 5.8V at load current > 50mA	
Off-State Leakage Current (max.)	3.0mA per output @ 138V ac	
Signal Delay	Off to On On to Off	Zero crossing: 8.3ms @ 60Hz; 10.0ms @ 50Hz Zero crossing: 8.3ms @ 60Hz; 10.0ms @ 50Hz
Power Dissipation	13.0 Watts (max.), 1.5 Watts (min.)	
Thermal Dissipation	48.0 BTU/hr (max.), 5.13 BTU/hr (min.)	
Backplane Current	295mA	
Isolation Voltage	Isolation meets or exceeds UL Standard 508, and CSA Standard C22.2 No. 142.	
Environmental Conditions		
Operational Temperature	0° to 60°C (32° to 140°F)	
Storage Temperature	-40° to 85°C (-40° to 185°F)	
Relative Humidity	5 to 95% (without condensation)	
Conductors	Wire Size	14 gauge (2mm ²) stranded maximum 3/64 inch (1.2mm) insulation maximum
	Category	1 ¹
Keying	Between 10 and 12 Between 20 and 22	
Fuse	10A, 250V rectifier fuse (1/4 x 1-1/4 inch), Littelfuse PN 322010	
Field Wiring Arm	Standard Optional Fused	Catalog Number 1771-WH Cat. No. 1771-WHF
Wiring Arm Screw Torque	7-9 inch pounds	
Relay Compatibility	700-HC14A1 700-HC14A1-4 700-HT12AA1 700-HF32A1 700-HTM12RA1 700-HP32A1-4 700-HB32A1 100-A09 100-A30 100-A18	
Agency Certification (when product or packaging is marked)	<ul style="list-style-type: none"> • CSA certified • CSA Class I, Division 2, Groups A, B, C, D certified • UL listed • CE marked for all applicable directives 	
Installation Instructions	1771-5.24	

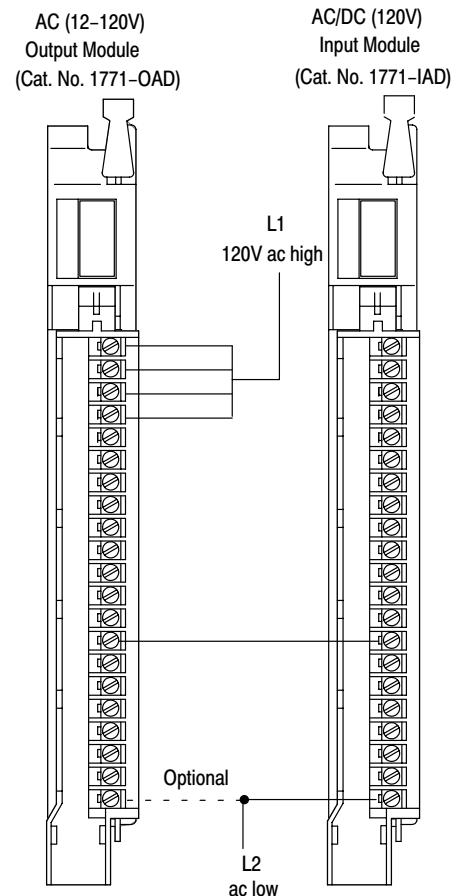
¹ You use this conductor-category information for planning conductor routing as described in the system-level installation manual.

Status Indicators



12220-1

Sample Connection Diagram – Driving a 1771-IAD Module with a 1771-OAD Module



12219-1