



**EVC 110 M, DN 10 ISO-KF, Angle
valve, solenoid actuated, 24 V DC**

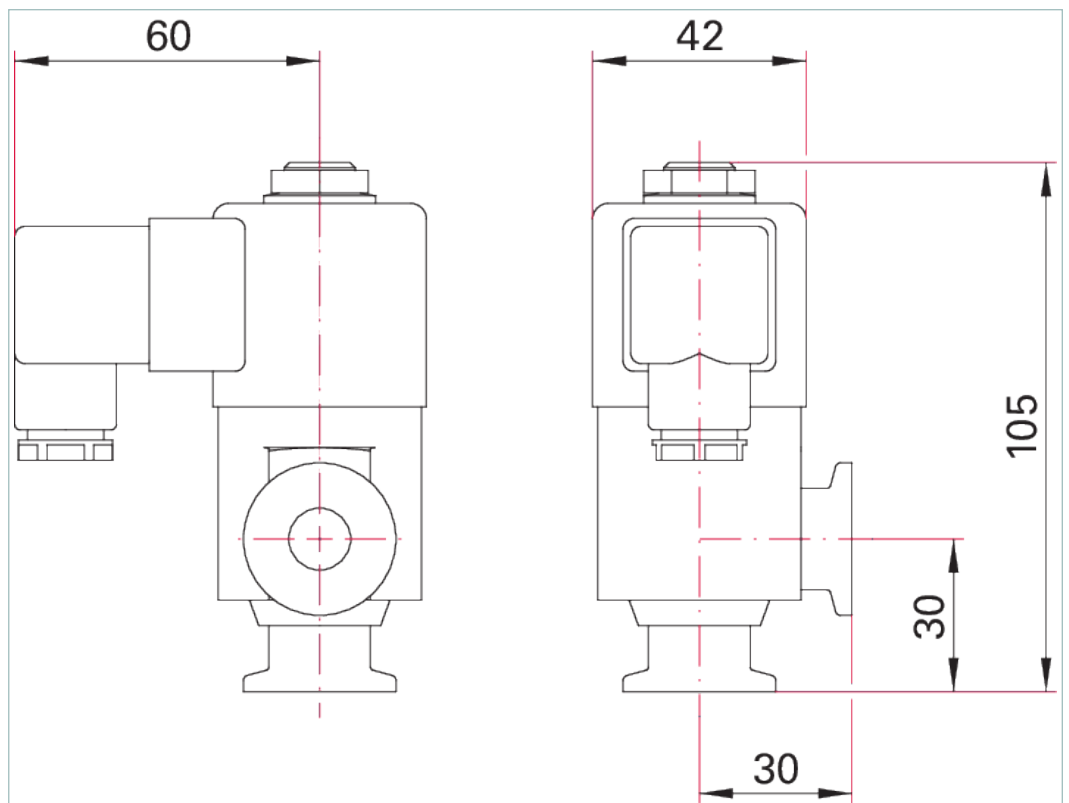


EVC 110 M, DN 10 ISO-KF, Angle valve, solenoid actuated, 24 V DC

- Flange size DN 10 ISO-KF
- Housing material: Aluminum
- Solenoid actuated, without vacuum feedthrough
- Normally closed (n.c.)
- Service life: 1.5 million operating cycles

Similar Image

Dimensions



Technical Data	EVC 110 M, DN 10 ISO-KF, Angle valve, solenoid actuated, 24 V DC
Actuator	Electromagnetic
Bakeout temperature: actuator	75 °C 167 °F 348 K
Bakeout temperature: housing	75 °C 167 °F 348 K
Closing/opening time	60 ms/45 ms
Conductance value with molecular flow	1 l/s
Differential pressure in closing direction	5,000 hPa 3,750 Torr 5,000 mbar
Differential pressure in opening direction	1,000 hPa 750 Torr 1,000 mbar
Housing	Aluminum
Nominal diameter	DN 10 ISO-KF
Opens against differential pressure of	2,000 hPa 1,500 Torr 2,000 mbar
Operating pressure min.	$1 \cdot 10^{-8}$ hPa $7.5 \cdot 10^{-9}$ Torr $1 \cdot 10^{-8}$ mbar
Pickup/stopping power	35 / 15 W
Pressure max. (absolute)	5,000 hPa 3,750 Torr 5,000 mbar
Seal	FKM
Service life	1500000 cycles
Supply	24 V DC

Technical Data		EVC 110 M, DN 10 ISO-KF, Angle valve, solenoid actuated, 24 V DC
Switching frequency		50 min ⁻¹
Tightness		1 · 10 ⁻¹⁰ Pa m ³ /s 7.5 · 10 ⁻¹⁰ Torr l/s 1 · 10 ⁻⁹ mbar l/s
Type		Angle valve
Weight		0.46 kg 1.01 lb
Order number		
EVC 110 M		PF A23 201

VACUUM SOLUTIONS FROM A SINGLE SOURCE

Pfeiffer Vacuum stands for innovative and custom vacuum solutions worldwide, technological perfection, competent advice and reliable service.

COMPLETE RANGE OF PRODUCTS

From a single component to complex systems:

We are the only supplier of vacuum technology that provides a complete product portfolio.

COMPETENCE IN THEORY AND PRACTICE

Benefit from our know-how and our portfolio of training opportunities!

We support you with your plant layout and provide first-class on-site service worldwide.

Are you looking for a
perfect vacuum solution?
Please contact us:

Pfeiffer Vacuum GmbH
Headquarters · Germany
T +49 6441 802-0
info@pfeiffer-vacuum.de

www.pfeiffer-vacuum.com

All data subject to change without prior notice.

PFEIFFER  **VACUUM**