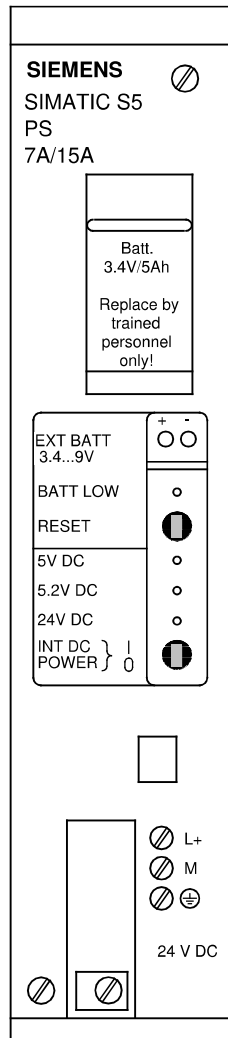


8.2.2 Power Supply Module

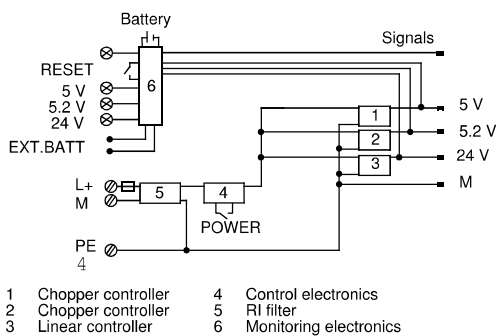
PS 951 Power Supply Module 24 V DC; 5 V, 7 A

(6ES5 951-7ND21)



Technical Specifications

Input voltage L+		
- rated value		24 V DC
- permissible range		19.2 to 30 V
Input current at 24 V		
- rated value		5.4 A
- inrush current	max.	132 A
- I ² t		16 A ² s
Power consumption		130 W
Output voltage		
- rated value		5 V
- tolerance		±2%
Output current		
- rated value		7 A
- permissible range		0.3 to 7 A
Backup battery		
		Li battery, size C (3.6 V/5 Ah)
- Backup time	min.	1 year (at 0.3 mA, 25 °C and uninterrupted backup supply)
Short-circuit protection		electronic
Fault indicator		no
Fuse (primary circuit)		integral
Class of protection		class 1
Floating		no
Insulation rating		electrical separation to VDE 0160
- tested with		500 V DC
RI specification		A+14 dB to VDE 0871
Power loss of the module	typ.	34 W
Weight		approx. 1.9 kg (4.2 lbs.)



Block diagram