

Contactless Hall-IC Tilt Angle Sensor

PMP-HTL Series

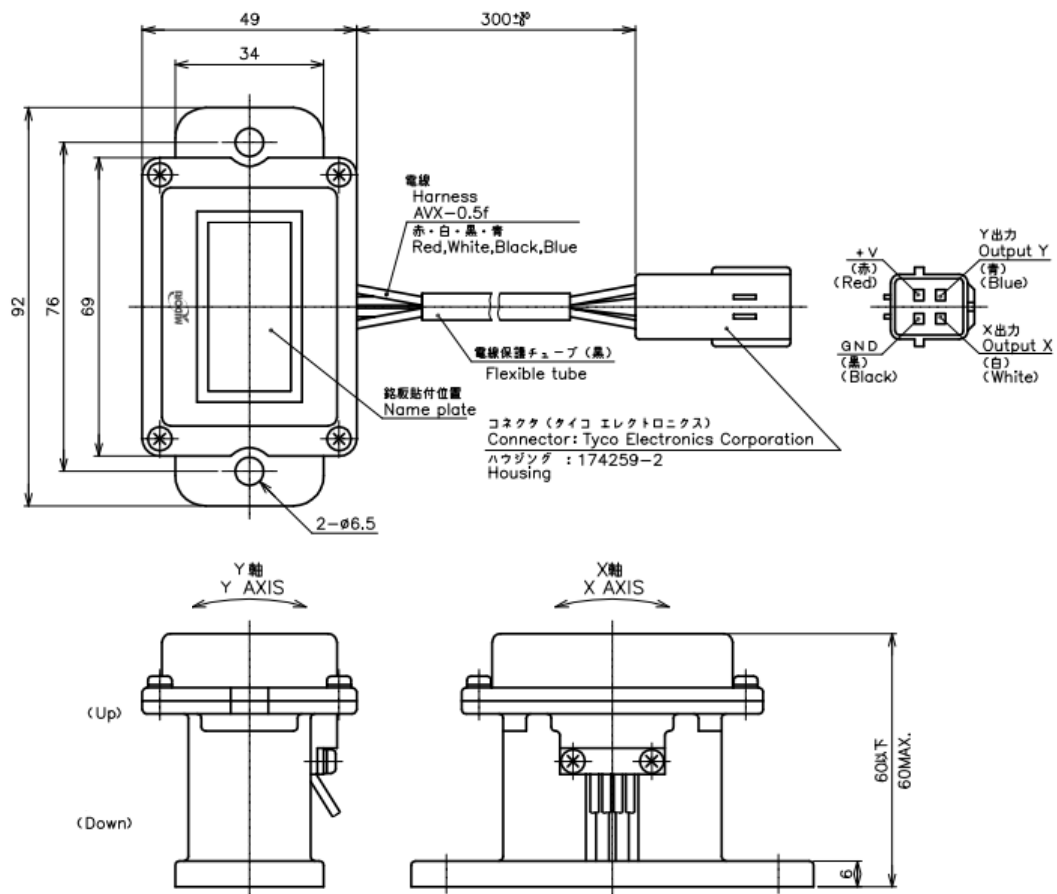


- Contactless Single / Dual Axis Tilt Angle Sensor
Single Axis (X-axis ONLY) : **PMP-xxHTL**
Dual Axis : **PMP-xxHTZL**
- Effective Electrical Tilt Angle : $\pm 5^\circ$ (PMP-5HTL / 5HTZL)
 $\pm 10^\circ$ (PMP-10HTL / 10HTZL: Standard)
 $\pm 20^\circ$ (PMP-20HTL / 20HTZL)
 $\pm 30^\circ$ (PMP-30HTL / 30HTZL)
- Center Based Linearity : $\pm 1\%$ FS (X,Y axis)

【Material】

- Housing : Aluminum

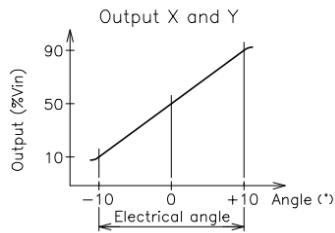
Dimension [mm]



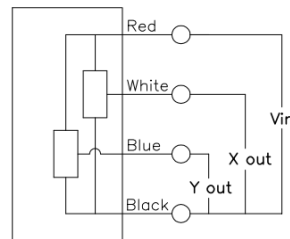
MIDORI MIDORI PRECISIONS
 URL: <http://www.midori.co.jp>
 E-mail: overseas@midori.co.jp

2012/12

■ Output Characteristics

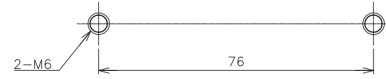


■ Schematic



· Red,White,Blue,Black indicate lead colors.

■ Mounting



【Model No.】	PMP-10HTL PMP-10HTZL	PMP-5HTL PMP-5HTZL	PMP-20HTL PMP-20HTZL	PMP-30HTL PMP-30HTZL
-------------	-------------------------	-----------------------	-------------------------	-------------------------

【Electrical Specifications】

					X and Y axis
Effective Electrical Tilt Angle	±10	±5	±20	±30	°
Output Range	10 - 90				%Vin
Index Point	50±4	50±8	50±3		%Vin
Center Based Linearity	±1			±1.5	%FS
Input Voltage	DC 5±0.5				V
Load Resistance	MIN. 10				kΩ
Supply Current	MAX. 20				mA
Insulation Resistance	MIN. 100/DC50V				MΩ
Temp. Characteristics -20°C~80°C (Reference Temp. 25°C)	At 0°: ±1.0° At ±10°: ±1.5°	At 0°: ±1.0° At ±5°: ±1.5°	At 0°: ±2.5° At ±20°: ±2.5°	At 0°: ±2.5° At ±30°: ±3.0°	

【Mechanical Specifications】

Response time	Approx. 0.5 (Damper Oil 1000mm ² /s)				Sec.
Total Mechanical Tilt Angle	MIN. ±12	MIN. ±6	MIN. ±24	MIN. ±36	°
Mass	Approx.230				g

【Environmental Specifications】

Operating Temperature Range	-20~+80				°C
Storage Temperature Range	-40~+80				°C
Vibration	70m/s ² 3 axis 2 hours				
Shock	1000m/s ² 6 directions 3 times				
EMS	100V/m 200M ~1GHz				
ESD(Case To Each Terminal)	±4				kV
ESD(Between Each Terminal)	±4				kV
IP Level	IP65				

■ Options

- Different effective electrical tilt angle between X and Y axis (ex. X-axis=± 5° , Y-axis=±10°)
- Other damper oil viscosity
- Narrower output voltage range

■ Handling Instruction

- Hall-IC sensor is impossible to measure resistance value as a variable resistor.
- This product may be influenced from external magnetic field.
- Use this sensor in the place where is protected from ESD.
- To avoid the spring pendulum bending, don't lay this unit on its side.

We are here for you. Addresses and Contacts.

Headquarter Switzerland:

Angst+Pfister Sensors and Power AG
Thurgauerstrasse 66
CH-8050 Zurich
Phone +41 44 877 35 00
sensorsandpower@angst-pfister.com

Office Germany:

Angst+Pfister Sensors and Power Deutschland GmbH
Edisonstraße 16
D-85716 Unterschleißheim
Phone +49 89 374 288 87 00
sensorsandpower.de@angst-pfister.com

Scan here and get an overview of personal contacts!



sensorsandpower.angst-pfister.com
