

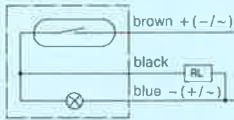
Proximity switch

with integral protective circuit and yellow LED

Type SME-3-LED-24

with 5 m long connecting cable

Type SME-3-LED-24-K5



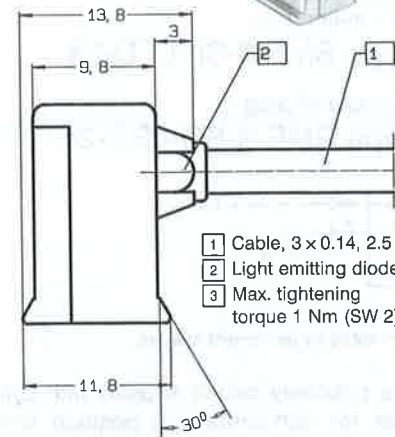
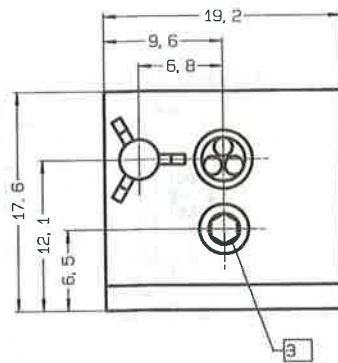
* activated by permanent magnet

The proximity switch is used with cylinders for non-contacting position sensing. It can be attached to Festo cylinders of series "A" by means of a dovetail groove.

When a magnetic field approaches (e.g. the permanent magnet on the cylinder piston), the proximity switch emits an electrical signal. The electrical connections are cast in.

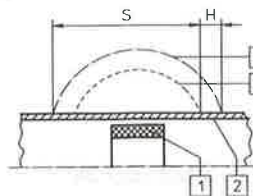
The switching state is indicated by a light emitting diode. The yellow LED indicator lights up upon activation. The switch is proof against incorrect polarity and has an integrated protective circuit against inductive switch-off peaks.

Function and hints
see sheet 1.352



- 1 Cable, 3 x 0.14, 2.5 m long
- 2 Light emitting diode
- 3 Max. tightening torque 1 Nm (SW 2)

Switching characteristics



- H = Hysteresis
 - S = Switching path
 - 1 Permanent magnet
 - 2 Cylinder wall
 - 3 Switching on line of flux
 - 4 Switching off line of flux
- Reproducible switching accuracy ± 0.1 mm

| Cylinder Type | with ferritic influences | | without ferritic influences | |
|--|--------------------------|-----------------|-----------------------------|-----------------|
| | Switching path S mm | Hysteresis H mm | Switching path S mm | Hysteresis H mm |
| ADV -20-...-A AVL -20-...-A AV -20-...-A | 5 to 6.5 | 0.3 to 1.5 | 6.5 to 7.5 | 0.4 to 1.5 |
| ADV -32-...-A AVL -32-...-A AV -32-...-A | 7.5 to 9.0 | 1 to 2 | 11 to 13.5 | 1 to 2 |
| ADV -50-...-A AVL -50-...-A AV -50-...-A | 6 to 9.5 | 1 to 2 | 10 to 18 | 0.5 to 2 |
| ADV -63-...-A AVL -63-...-A AV -63-...-A | 8 to 12 | 1 to 3 | 11 to 14 | 1 to 3 |
| ADV -80-...-A AVL -80-...-A | 6 to 12 | 1.5 to 4 | 10 to 15 | 1 to 3.5 |
| AVL -80-...-A ADV -100-...-A | 9 to 13 | 1.5 to 3 | 14.5 to 16 | 1.5 to 2 |

1) Cylinder screwed on to steel plate

| Order code | Part No./Type | 12 112 SME-3-LED-24 | 30 291 SME-3-LED-24-K5 |
|--|---------------|--|------------------------|
| Medium | | Magnetic field and electric current | |
| Design | | Electric signal emitter for non-contacting position sensing through magnetic field | |
| Mounting | | Clamped in dovetail groove | |
| Connection | | 3-wire cable, 2.5 m long | 3-wire cable, 5 m long |
| Max. switching capacity | | 4.5 W | |
| Max. switching current | | 200 mA | |
| Switching voltage | | 12 to 27 V, DC and AC | |
| Volume resistance | | 0.2 Ω | |
| Reproducible switching accuracy | | ± 0.1 mm | |
| Switching frequency | | 2000 Hz | |
| Switching time | | 0.5 ms | |
| Degree of protection to DIN 40050 | | IP 66 | |
| Temperature range, for fixed cable for flexible cable | | - 20 to +60 °C - 5 to +60 °C | |
| Materials | | Housing: Die cast Mg; Cable: PVC sleeved | |
| Weights | | 0.040 kg | 0.085 kg |