

# XVR NW 08 HS 1/2 ED

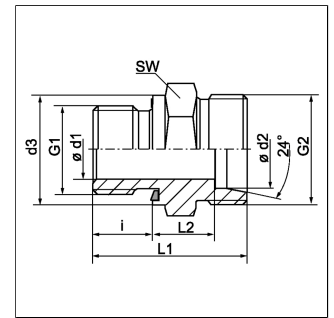
Connector M/M AGR1/2"-WD CES12

**HANSA FLEX**

Last updated: 26/01/2023

## Properties

Type	straight
Connection 1	BSP cylindrical external threads
Sealing form 1	shape E
Connection 2	metric cylindrical outer thread
Standard	DIN 2353 ISO 8434-1
Sealing form 2	24° inner cone
Material	Steel
Surface protection	electro galvanised
Construction type	screw-in fitting
Customs tariff number	73079910



## Product details

Pipe outside Ø mm)	12	Series	S
G1	G 1/2" -14	G2	M 20 x 1.5
L1 mm)	39	Ø d3 mm)	27
AF mm)	27	Ø d2 mm)	12
L2 mm)	17.5	i mm)	14
Working pressure	PN 630		

series: LL = very light; L = light, S = heavy  
Ø d2 = external tube diameter  
PN = nominal pressure (bar)  
HEX = SW = width across flats

## Note

Information about fitting, installation, pressure loads and permissible operating temperatures can be found in the technical information for pipe fittings.

## Delivery scope

socket without union nut and cutting ring

## Replacements

WD	Soft seal for ED fittings
----	---------------------------