



## Wireless universal transmitter RF I/O SW868-4E-2,2Ah Material number: 1359762

### Features/Options

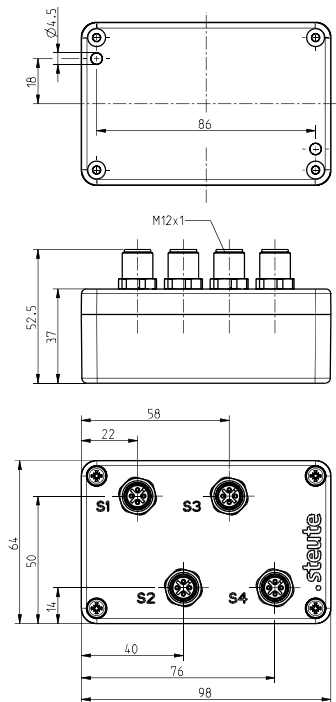
- Thermoplastic enclosure
- sWave® wireless technology
- No wiring and pipe laying required

### Notes

- The RF I/O may be used in combination with an wireless inductive sensor RF IS
- Connection of external switching contact (potentialfree contact) with gold contacts possible.
- Delivery does not include protective caps.

- Power supply by Lithium battery
- Easy programming of receiver
- Output signal can be individually configured at the receiver

### Dimensions



### Technical data

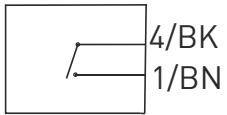
<b>Standards</b>	EN 60947-5-1; EN 61000-6-2, -6-3, EN 61000-4-2, -4-20; EN 301 489-1; EN 301 489-3; EN 300 220-1; EN 300 220-2
<b>Enclosure</b>	ABS (Acrylnitril-Butadien-Styrol)
<b>Connection</b>	4 x Plug-in connector M12 x 1, 4-pole
<b>Degree of protection</b>	IP 67 to IEC/EN 60529
<b>Protocol</b>	sWave®
<b>Ambient temperature</b>	-20 °C ... +65 °C
<b>Operation cycles</b>	approx. 12000 telegrams at repetitions/h
<b>Switching frequency</b>	max. 5 Hz
<b>Standby current</b>	60 µA
<b>Voltage supply</b>	Lithium battery Tadiran SL-760; system Li/SOCl <sub>2</sub> ; (replaceable)
<b>Nominal voltage</b>	3.6 V
<b>Capacity</b>	2.2 Ah
<b>Frequency</b>	868.3 MHz
<b>Transmission power</b>	< 25 mW
<b>Data rate</b>	66 kbps
<b>Channel bandwidth</b>	266 kHz
<b>Sensing range</b>	max. 450 m outside, max. 40 m inside
<b>Battery life</b>	depending on the switching frequency and number and type of sensors for 1000 transfers/day and one inductive sensor approx. 300 days; for 1000 transfers/day and one mechanical switch approx. 1400 days
<b>Actuating time</b>	min. 80 ms
<b>Note</b>	Transmission of battery voltage; status signal: individually adjustable via jumper, no, 10 s, 100 s, 1000 s, 10 000 s

Errors and omissions excepted.

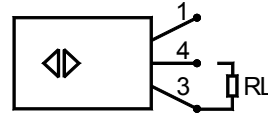


## Wireless universal transmitter RF I/O SW868-4E-2,2Ah Material number: 1359762

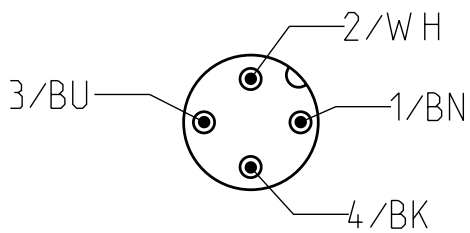
### External switch contact



### Sensors



### Pin assignment



Colour coding only valid for  
Coupling 4-poles mat. no. 1215497 and  
Coupling 4-poles mat. no. 1262873