

BOER3/8

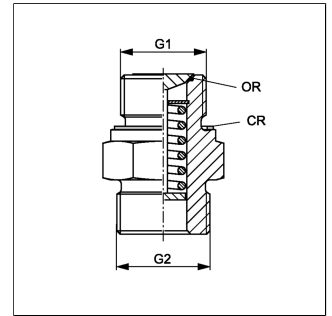
Oil drain valve AGR3/8"

HANSA FLEX

Last updated: 27/01/2023

Properties

Connection 1	BSP cylindrical external threads
Sealing form 1	shape A
Connection 2	metric cylindrical outer thread
Temp. min.	-30 °C
Temp. max.	200 °C
Construction type	drain valve
Customs tariff number	74122000



Product details

Material	Steel	G1	G 3/8" -19
G2	M 22 x 1.5		

Note

Material for seal washer in protective cap: NBR.
Seal material on valve seat: FPM (Viton).

Description

The BOE oil drain screw is closed at rest (O-ring seal). When the oil drain hose is unscrewed, the valve is opened, allowing the oil to drain.

Delivery scope

with copper ring and cap

Accessories

BOE ABLASS	Oil drain hose
BOE ABLASS 90	Oil drain hose

Replacements

BOE DICHTSCHEIBE	Sealing washer for BOE drain screw
BOE KAPPE	Cap for drain screws