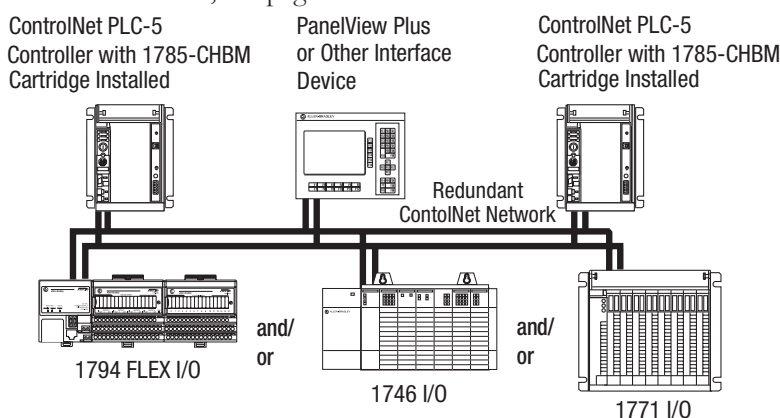


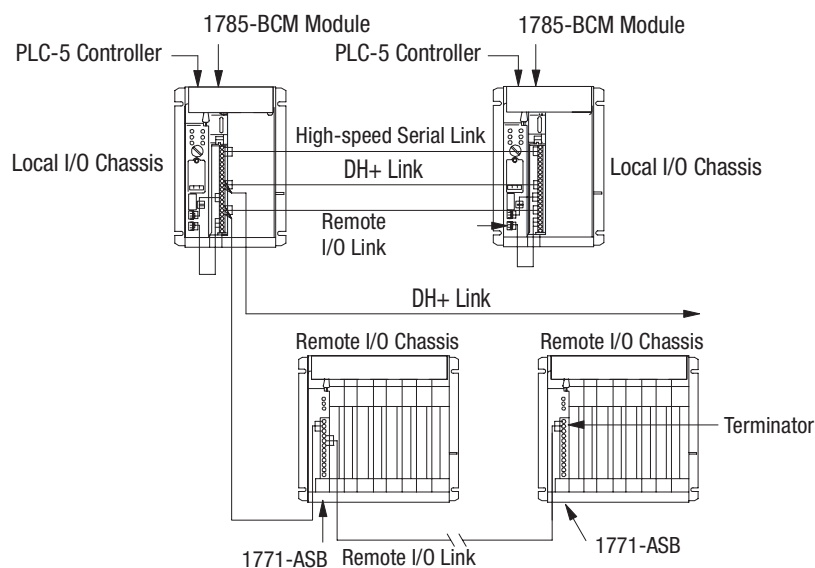
Apply Backup Solutions

The ControlNet Hot Backup Module, 1785-CHBM, provides backup of ControlNet I/O. A secondary controller qualifies critical-control information with the primary controller. Both controllers consume information from inputs and connect to outputs, but only the primary controller controls the outputs. The secondary controller establishes control of outputs if the primary controller shuts down.

For more information, see page 23.



The PLC-5 Backup Communication Module, 1785-BCM, helps increase the fault tolerance of PLC-5 programmable controller systems controlling I/O on a remote I/O link by providing backup of the PLC-5 programmable controller.



Cat. No.	Connections	Customer Relay	Design Considerations	Power Dissipation	Backplane Current Load
1785-BCM	1771-WG wiring arm (included)	0.25 A @ 24V dc (resistive)	Place in local I/O chassis	10 W max	1 A