

LW39 Series Cam switches


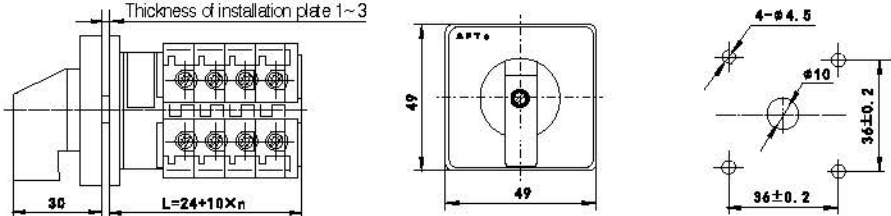
LW39-16B Series

Have tiny visual appearance, look good and fresh with reliable structure. With the international popular built-in wiring, is safety and reliable.


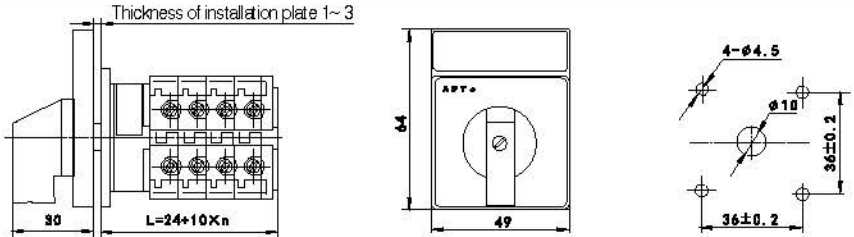
- It is 16A, built-in wiring is safety and reliable
- Operation angle: 30°, 45°, 60°, 90°
- The maximum number of contact poles: 12; less than 8 poles is better

Note: if the working condition is under 100mA @ 24V, please remark in the purchase order. The contactor will be gold-plating.


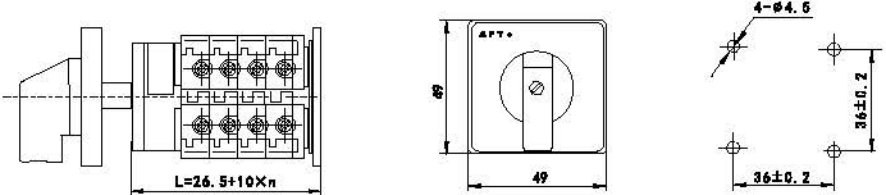
Normal Type LW39-16B

	<p>Positioning Angle: 30°, 45°, 60°, 90° Maximum Number poles 12, no more than 8 poles is better, Handles Type: all</p>  <p>Thickness of installation plate 1~3</p> <p>30 L=24+10Xn</p> <p>n is the number of the contact system poles, n=1-12</p> <p>49 49</p> <p>4-φ4.5 φ10 36±0.2 36±0.2</p> <p>The installation hole size</p> <p>Ordered Model: LW39 - 16B - □ - □ / □□□ Refer to page 15 for details</p>
---	--

With Label Type LW39-16B P

	<p>Positioning Angle: 30°, 45°, 60°, 90° Maximum Number poles 12, no more than 8 poles is better, Handles Type: all</p>  <p>Thickness of installation plate 1~3</p> <p>30 L=24+10Xn</p> <p>n is the number of the contact system poles, with a maximum of 12</p> <p>49 49</p> <p>4-φ4.5 φ10 36±0.2 36±0.2</p> <p>The installation hole size</p> <p>Ordered Model: LW39 - 16B P - □ - □ / □□□ Refer to page 15 for details</p>
---	--

Base-mounted Type: LW39-16B M

	<p>Positioning Angle: 30°, 45, 60°, 90° Maximum Number poles, no more than 8 poles is better, Handles Type: all</p>  <p>L=26.5+10Xn</p> <p>n is the number of the contact system poles, with a maximum of 12</p> <p>49 49</p> <p>4-φ4.5 φ10 36±0.2 36±0.2</p> <p>Base installation size (center hole size φ10)</p> <p>Ordered Model: LW39 - 16B M - □ - □ / □□□ Refer to page 15 for details</p>
---	---