



LV-21AP

Amplifier Unit, Main Unit, PNP



*Please note that accessories depicted in the image are for illustrative purposes only and may not be included with the product.

Specifications

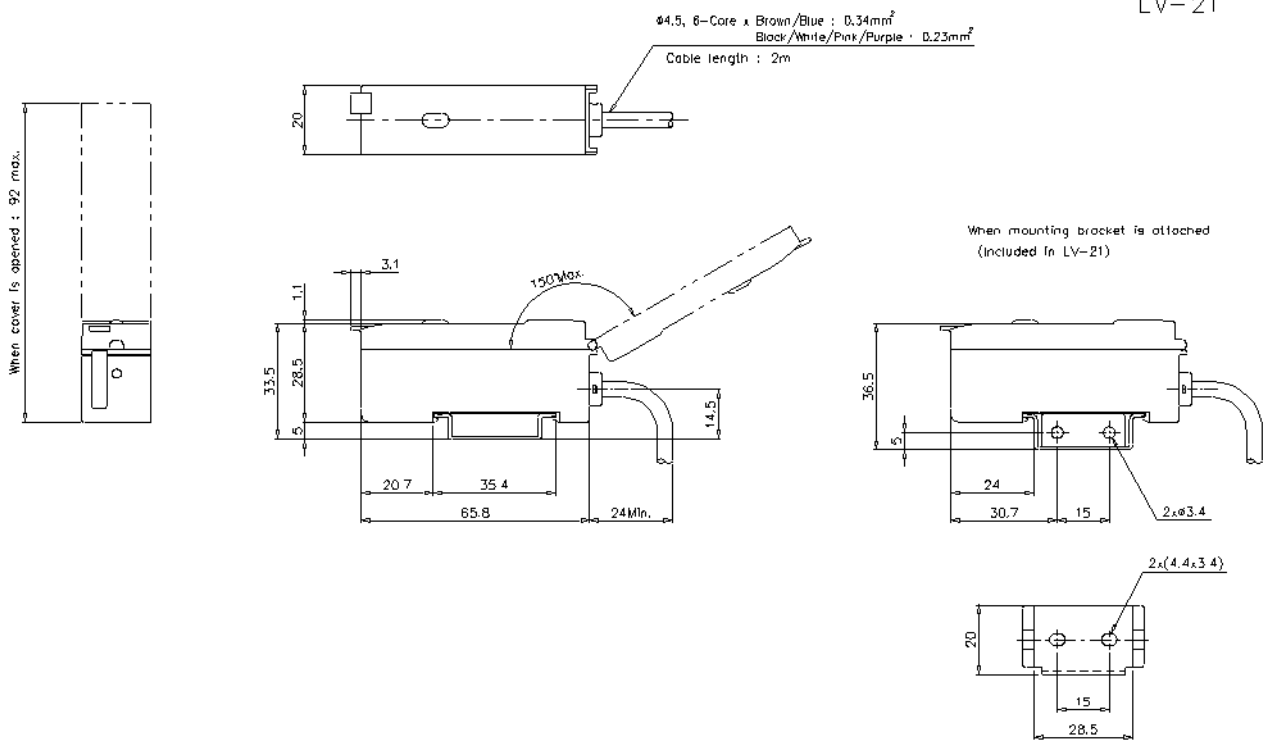
Model	LV-21AP	
Type	PNP output	
Main unit/Expansion unit	Main unit	
Control output	PNP open-collector x 2 channels, 30 VDC max., max. 100 mA, residual voltage (1.0 V max.)	
Response speed	FINE : 80 μ s , TURBO : 500 μ s , SUPER , TURBO : 4 ms	
Number of interference preventive units	FINE : None , TURBO : 2 units , SUPER : 4 units	
Protection circuit	Reversed polarity protection, over-current protection, surge absorber	
Unit expansion	Up to 7 additional expansion units can be installed (8 units including the main unit),	
Rating	Power voltage	12 to 24 VDC, Ripple (P-P) 10 % or less
	Power consumption	1.5 W max. (125 mA max. for 12 V, 62.5 mA max. for 24 V)
Environmental resistance	Ambient temperature	-10 to +55 °C (No freezing)*1
	Relative humidity	35 to 85 % RH (No condensation)
Material	Main unit	Polycarbonate
	Case	
Weight	Approx. 120 g	

*1 When extended, the ambient usage temperature varies according to the following conditions. Be sure to mount units on a DIN rail (attached to a metal plate) and ensure that the output current is 20 mA or less. When extended

Dimensions

* Download CAD file or product manual for larger image/text and more detail.

LV-21



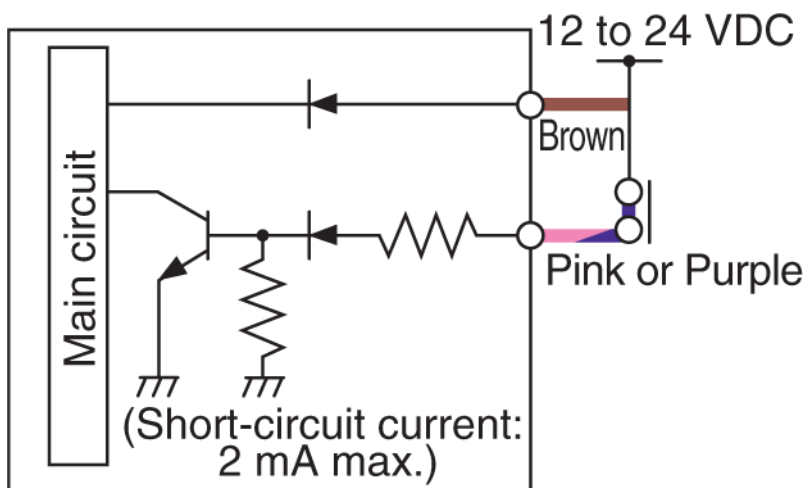
I/O Circuit Connection diagram

* Download CAD file or product manual for larger image/text and more detail.

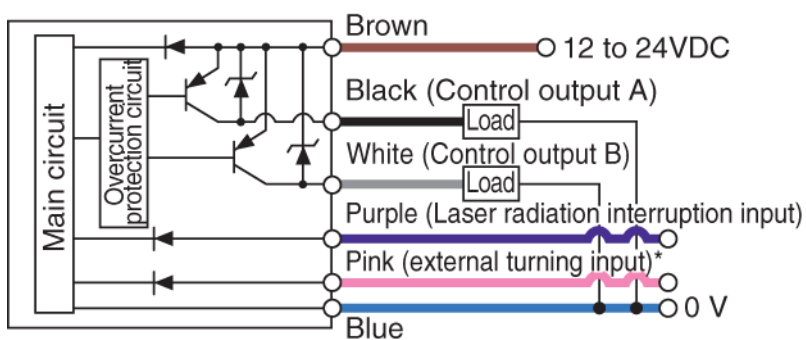
Laser radiation interruption (main unit only)

External calibration input

PNP



PNP



* Orange (monitor output) only for LV-51MP