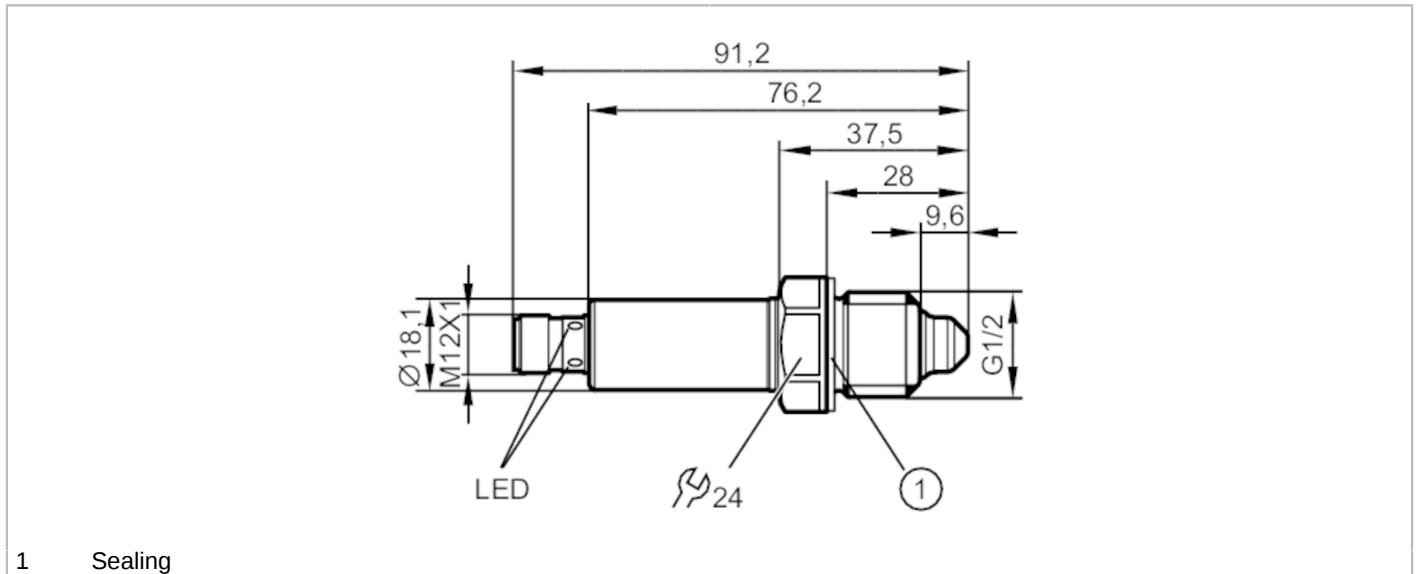


# LMC100



## Sensor for point level detection

LMFCE-B12E-QSKG-0/US



1 Sealing



### Product characteristics

Number of inputs and outputs	Number of digital outputs: 2
Factory setting	water; hydrous media
Process connection	G 1/2 external thread

### Application

Special feature	Gold-plated contacts
Media	water; hydrous media; oils; oil-based media; coolants; powder
Cannot be used for	See the operating instructions, chapter "Function and features".
Medium temperature [°C]	-25...100
Probe length [mm]	28
Tank pressure	-1...40 bar   -0.1...4 MPa
MAWP (for applications according to CRN) [bar]	40

### Oil

Medium temperature [°C]	-25...100
-------------------------	-----------

### Electrical data

Operating voltage [V]	18...30 DC
Current consumption [mA]	< 35
Protection class	III
Reverse polarity protection	yes

### Inputs / outputs

Number of inputs and outputs	Number of digital outputs: 2
------------------------------	------------------------------

### Outputs

Total number of outputs	2
Output signal	switching signal; IO-Link
Electrical design	PNP/NPN
Number of digital outputs	2

# LMC100



## Sensor for point level detection

LMFCE-B12E-QSKG-0/US

Output function	normally open / normally closed; (parameterisable)
Max. voltage drop switching output DC [V]	2.5
Permanent current rating of switching output DC [mA]	50; (100 (...60 °C))
Short-circuit protection	yes
Type of short-circuit protection	thermal, pulsed
Overload protection	yes

### Measuring/setting range

Factory setting	water; hydrous media
-----------------	----------------------

### Response times

Response time [s]	< 0.5
-------------------	-------

### Interfaces

Communication interface	IO-Link				
Transmission type	COM2 (38,4 kBaud)				
IO-Link revision	1.1				
SDCI standard	IEC 61131-9				
Profiles	Smart Sensor: Process Data Variable; Device Identification, Device Diagnosis				
SIO mode	yes				
Required master port type	A				
Process data analogue	1				
Process data binary	2				
Min. process cycle time [ms]	2.3				
Supported DeviceIDs	<table><thead><tr><th>Type of operation</th><th>DeviceID</th></tr></thead><tbody><tr><td>default</td><td>674</td></tr></tbody></table>	Type of operation	DeviceID	default	674
Type of operation	DeviceID				
default	674				

### Operating conditions

Ambient temperature [°C]	-25...85
Storage temperature [°C]	-40...85
Protection	IP 68; IP 69K; (7 days / 1 m water depth / 0.1 bar: IP 68)

### Tests / approvals

EMC	DIN EN 61000-6-2	
	DIN EN 61000-6-3	: closed tanks
	DIN EN 61000-6-4	: open tanks
Shock resistance	DIN EN 60068-2-27	50 g (11 ms)
Vibration resistance	DIN EN 60068-2-6	20 g (10...2000 Hz)
MTTF [years]		534
UL approval	UL Approval no.	H003

### Mechanical data

Weight [g]	117.45
Dimensions [mm]	Ø 18.1 / L = 76.2
Materials	stainless steel (316L/1.4404); PEEK; PEI; FKM
Materials (wetted parts)	stainless steel (316L/1.4404); PEEK; FKM
Process connection	G 1/2 external thread

# LMC100



## Sensor for point level detection

LMFCE-B12E-QSKG-0/US

### Displays / operating elements

Display	switching status	LED, yellow
	operating status	LED, green

### Remarks

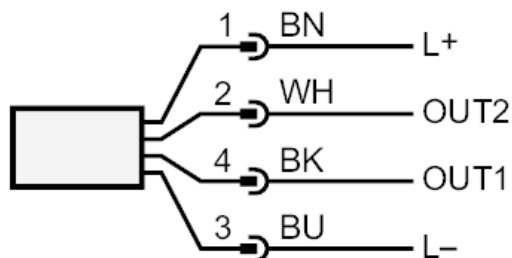
Pack quantity	1 pcs.
---------------	--------

### Electrical connection

Connector: 1 x M12; coding: A; Contacts: gold-plated



### Connection



OUT1: switching output IO-Link  
OUT2: switching output  
colours to DIN EN 60947-5-2

Core colours :

BK = black  
BN = brown  
BU = blue  
WH = white