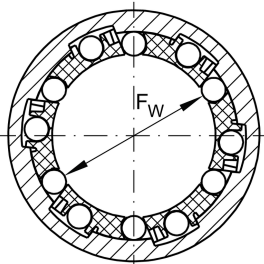
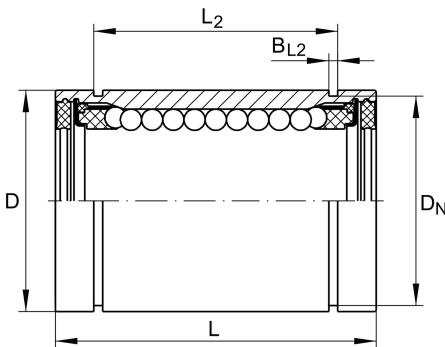
**KB30**

Linear ball bearing

Linear ball bearings KB..., machined range,
corrosion-resistant design possible

Technical information

**Main Dimensions & Performance Data**

F_w	30 mm	Bore diameter of ball complement
	+0,011/-0,001	Tolerance
D	47 mm	Outside diameter
	h5	Tolerance
L	68 mm	length
	h12	Tolerance
C_{min}	3.600 N	load capacity dyn.
$C_{0 min}$	2.850 N	load capacity stat.
C_{max}	3.800 N	load capacity dyn.
$C_{0 max}$	3.600 N	load capacity stat.
$\approx m$	0,254 kg	Weight

Mounting dimensions

L_2	51,7 mm	
	H13	Tolerance
B_{L2}	1,85 mm	
D_N	44,5 mm	
N_2	2,5 mm	
	6	Number of rows balls