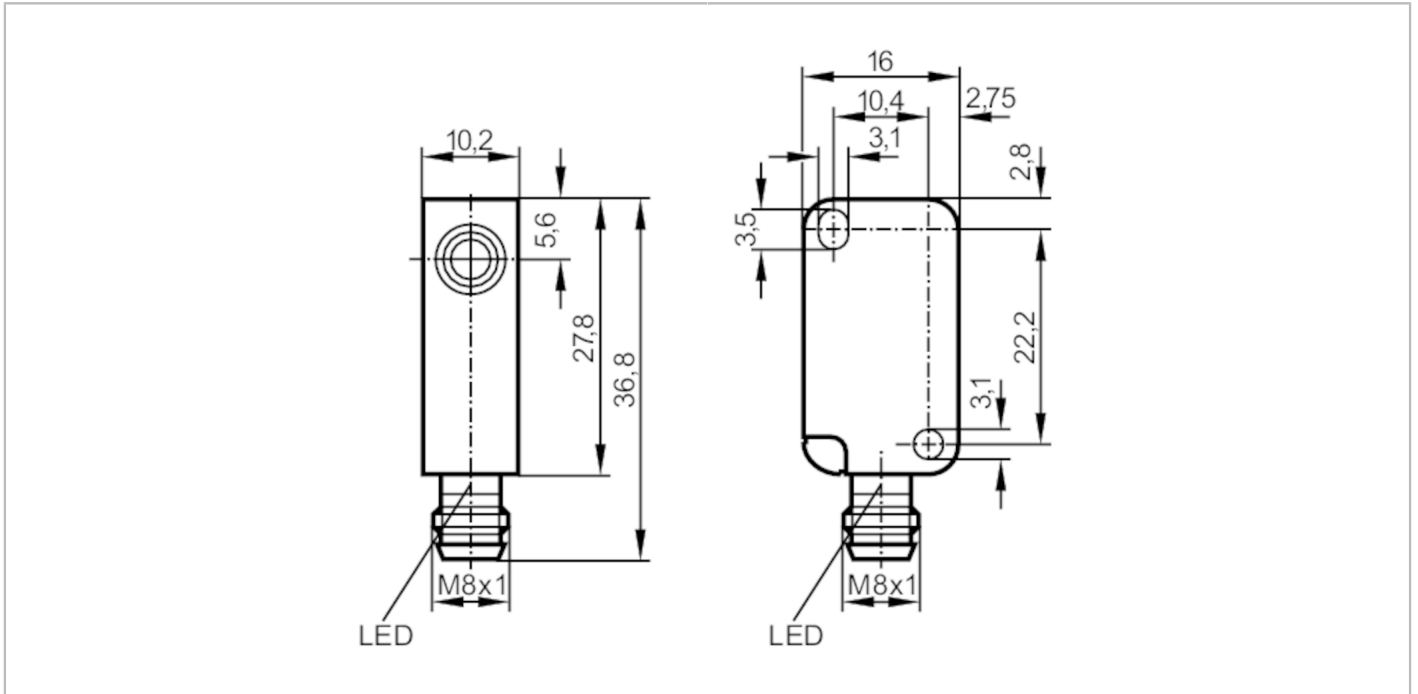


IS5035



Inductive sensor

IS-3002-BPKG/AS



Product characteristics

Electrical design		PNP
Output function		normally open
Sensing range	[mm]	2
Housing		rectangular
Dimensions	[mm]	28 x 10 x 16

Electrical data

Operating voltage	[V]	10...30 DC
Current consumption	[mA]	15
Protection class		III
Reverse polarity protection		yes

Outputs

Electrical design		PNP
Output function		normally open
Max. voltage drop switching output DC	[V]	2.5
Permanent current rating of switching output DC	[mA]	200
Switching frequency DC	[Hz]	800
Short-circuit protection		yes
Overload protection		yes

Detection zone


Sensing range	[mm]	2
Real sensing range Sr	[mm]	2 ± 10 %
Operating distance	[mm]	0...1.6

IS5035



Inductive sensor

IS-3002-BPKG/AS

Accuracy / deviations		
Correction factor	steel: 1 / stainless steel: 0.7 / brass: 0.4 / aluminium: 0.3 / copper: 0.2	
Hysteresis [% of Sr]	1...15	
Switch point drift [% of Sr]	-10...10	
Operating conditions		
Ambient temperature [°C]	-25...80	
Protection	IP 65; (with ifm socket duly screwed on: IP 67)	
Tests / approvals		
EMC	EN 60947-5-2	
	EN 55011	class B
MTTF [years]	3060	
UL approval	Ta	-25...80 °C
	Enclosure type	Type 1
	power supply	Class 2
	File number UL	E174191
Mechanical data		
Weight [g]	10.9	
Housing	rectangular	
Mounting	flush mountable	
Dimensions [mm]	28 x 10 x 16	
Materials	PBT	
Tightening torque [Nm]	< 0.5; (with washer)	
Displays / operating elements		
Display	switching status	4 x 90° LED, yellow
Remarks		
Pack quantity	1 pcs.	
Electrical connection - plug		
Connector: 1 x M8; coding: A		
		



IS5035



Inductive sensor

IS-3002-BPKG/AS

Connection

