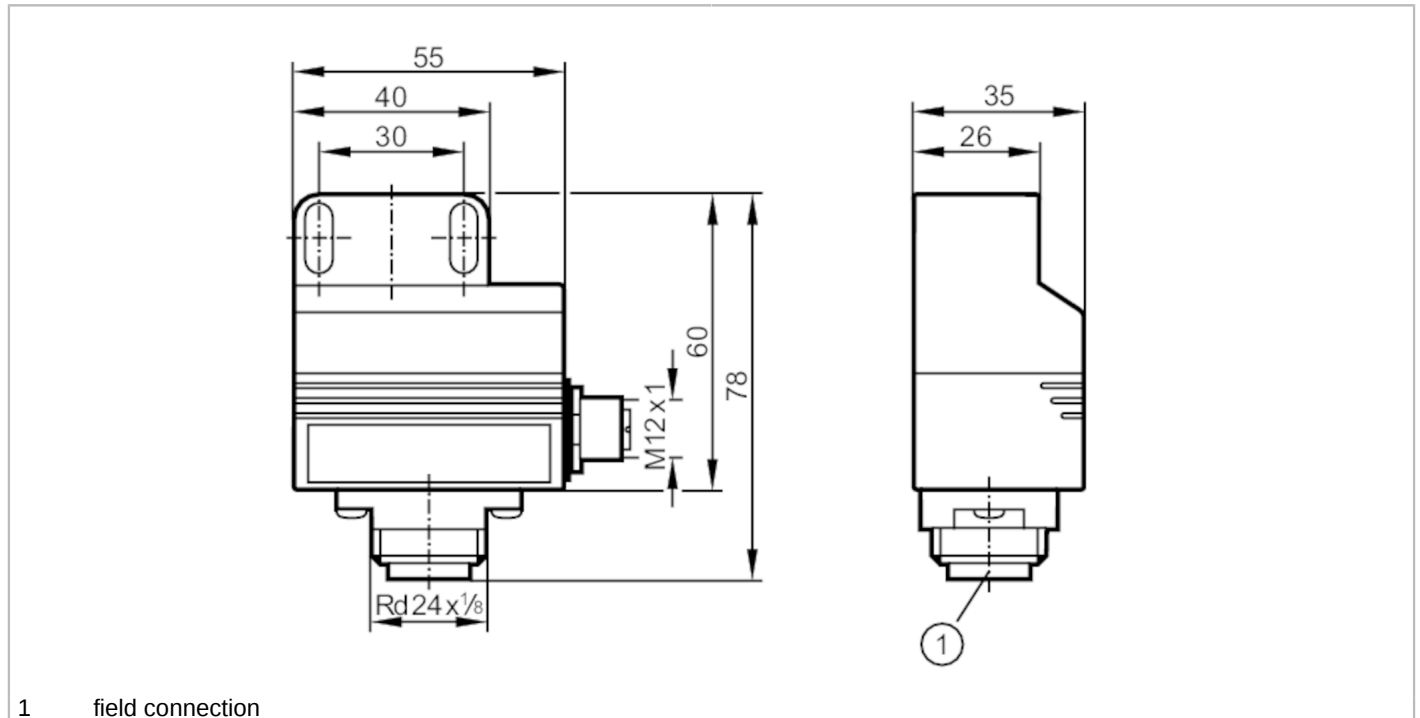


IN5334



Inductive dual sensor for valve actuators

IND3004DBPKG/T2



1 field connection



Product characteristics

Electrical design		PNP
Output function		2 x normally open
Sensing range	[mm]	4
Housing		rectangular
Dimensions	[mm]	40 x 26 x 60

Application

Application	for actuators using standard ISO 5211 (VDI/VDE) mounting
-------------	-----------------------------------------------------------

Electrical data

Operating voltage	[V]	10...36 DC
Current consumption	[mA]	20; (36 V)
Protection class		III
Reverse polarity protection		yes

Outputs

Electrical design		PNP
Output function		2 x normally open
Max. voltage drop switching output DC	[V]	2.5
Permanent current rating of switching output DC	[mA]	250
Switching frequency DC	[Hz]	1300
Short-circuit protection		yes
Type of short-circuit protection		pulsed
Overload protection		yes

IN5334



Inductive dual sensor for valve actuators

IND3004DBPKG/T2

Detection zone		
Sensing range	[mm]	4
Real sensing range Sr	[mm]	4 ± 10 %
Operating distance	[mm]	0...3.25
Accuracy / deviations		
Correction factor		steel: 1 / stainless steel: 0.7 / brass: 0.5 / aluminium: 0.4 / copper: 0.3
Hysteresis	[% of Sr]	3...15
Switch point drift	[% of Sr]	-10...10
Operating conditions		
Ambient temperature	[°C]	-25...80
Protection		IP 67
Tests / approvals		
EMC	EN 60947-5-2	
	EN 55011	class B
MTTF	[years]	1296
UL approval	Ta	0...40 °C
	Enclosure type	Type 1
	power supply	Hazardous voltage
	File number UL	E174191
Mechanical data		
Weight	[g]	171
Housing		rectangular
Mounting		non-flush mountable
Dimensions	[mm]	40 x 26 x 60
Materials		PBT; PC
Displays / operating elements		
Display	switching status	2 x LED, yellow
Accessories		
Items supplied		Reinforcement bracket socket head screws: 2 x M5 x 35 washers: 2
Remarks		
Remarks		Suitable valves: valves according to NAMUR interface up to max. 20 W
Pack quantity		1 pcs.
Electrical connection - plug		
Connector: 1 x Rd24; coding: A		

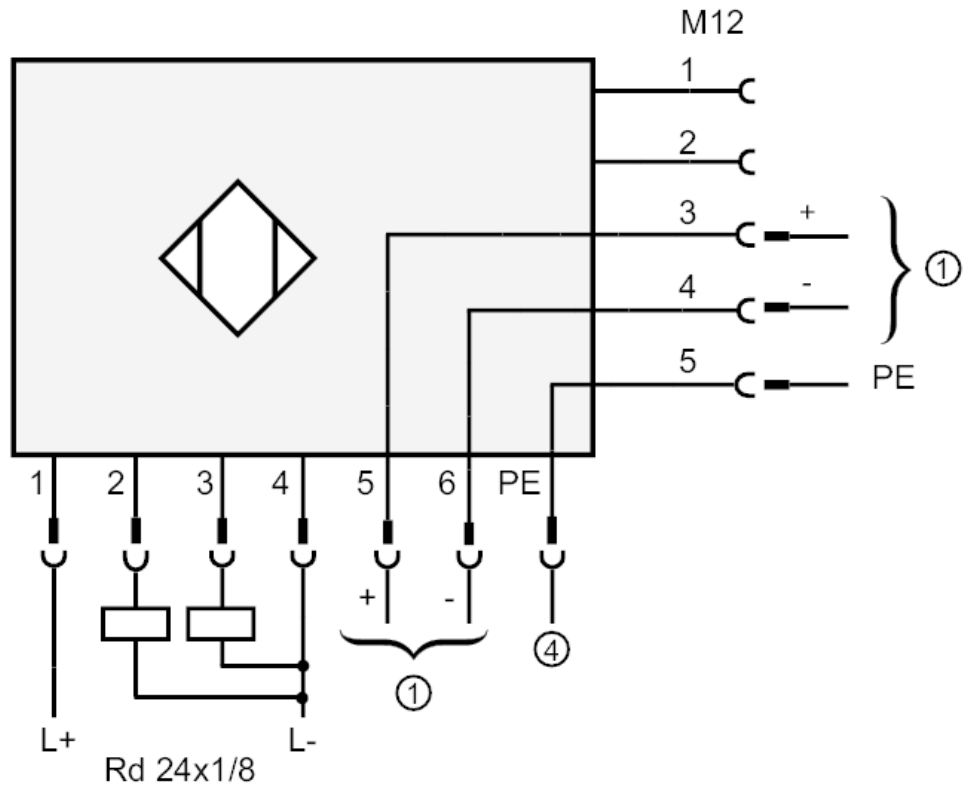
IN5334



Inductive dual sensor for valve actuators

IND3004DBPKG/T2

Connection



1 = solenoid valve 24 V DC / 20 W

Electrical connection - socket

Connector: 1 x M12; coding: A

