



## GV-H130

Sensor Head Medium-distance Type

CE

\*Please note that accessories depicted in the image are for illustrative purposes only and may not be included with the product.

## Specifications

Model		GV-H130	
Type		Mid-range	
Light source		Visible semiconductor laser, Wavelength: 655 nm	
Laser class	FDA (CDRH) Part 1040.10	Class 2 (560 μW)	
	IEC 60825-1		
	JIS C6802		
Detection distance (Amplifier display )		55 to 130 mm <b>2.17" to 5.12"</b> (750 to 0)*1)	
Possible display range		768 to -98	
Standard detection deviation		1 mm <b>0.04"</b>	
Spot diameter		Approx. ø0.3 mm <b>ø0.012"</b> (Detection distance 130 mm <b>5.12"</b> )	
Operation status indicators		Control output: Red LED/Laser radiation emission indicator: Green LED/1 spot indicator: Green LED	
Environmental resistance	Enclosure rating		IP67
	Operating ambient luminance	Incandescent lamp	10000lx
		Sunlight	20000lx
	Ambient temperature		-10 to +50 °C <b>14 to 122 °F</b> (No freezing)
	Relative humidity		35 to 85 % RH (No condensation)
Vibration resistance		10 to 55 Hz, Double amplitude 1.5 mm <b>0.06"</b> , 2 hours in each of the X, Y, and Z axis	
Material		Housing material: PBT, Display: Polyarylate, Metal: SUS304, Lens cover: Glass, Cable: PVC	
Weight		Approx. 130 g*2	

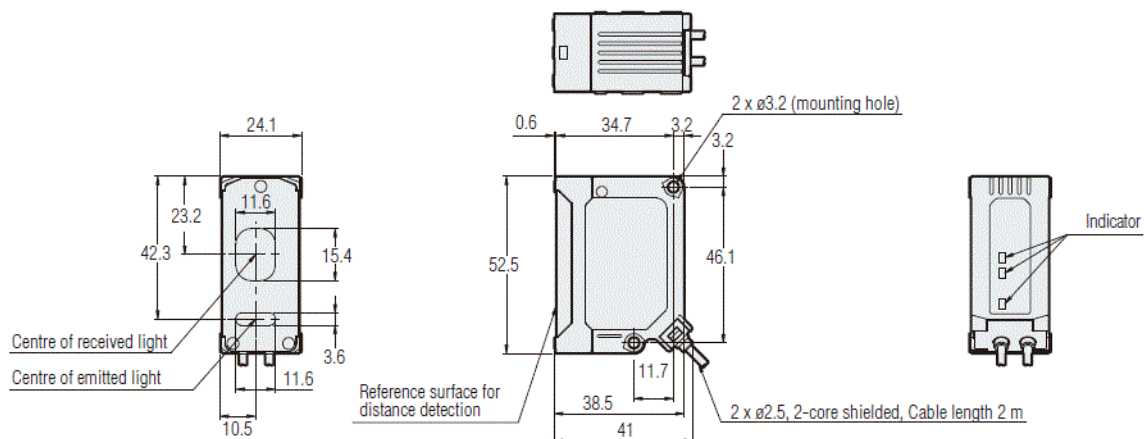
\*1 General guideline for amplifier display values relative to detection distance (when distance display mode is set to normal).

\*2 Including 2 m **6.6'** connector cable (3 m **9.8'** cable for GV-H1000)

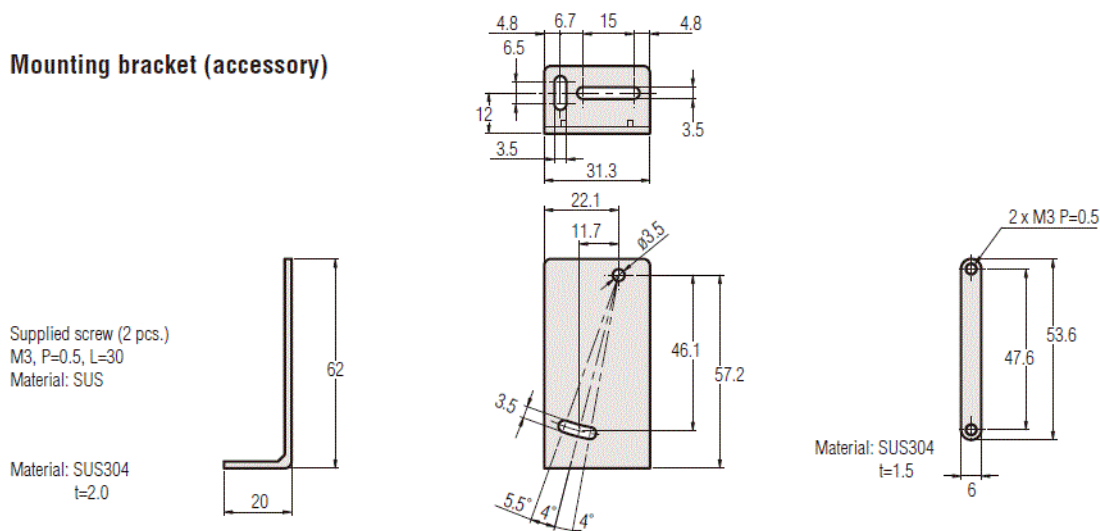
# Dimensions

\* Download CAD file or product manual for larger image/text and more detail.

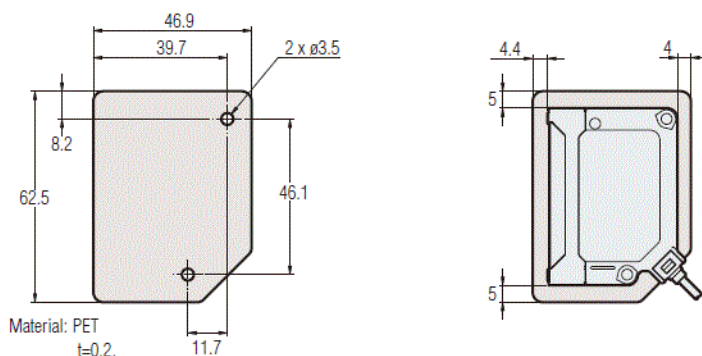
## SENSOR HEAD GV-H130/GV-H130L



### Mounting bracket (accessory)



**Insulation sheet (accessory)    When the insulation sheet is attached**



**When the mounting bracket is attached**

