

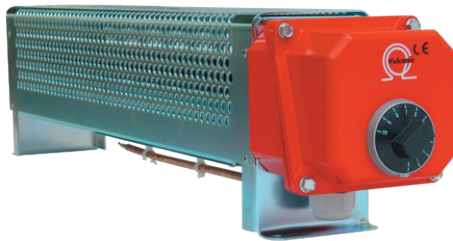
## Application

These particularly robust appliances have been designed to provide reliable heating to industrial and technical premises, control rooms and mobile site cabins.

Unless special conditions, these room radiators should not be installed in public buildings, halls, shops, waiting rooms...

## Design

Finned strip heating elements. Support and housing are in protected carbon steel or stainless steel 304L. Connection via a polyamide gland to IP55 Aluminum junction box (model without thermostat) or IP42 (with thermostat). These range of room radiators are supplied without any control thermostat. Available with an integral control thermostat, adjustable from 0 to 50°C with auto-reset coupled to the power.



## Recommendations

This range of room radiators must be installed in horizontal position, fastened to the floor or on suitable brackets for wall mounting, without any device preventing a sustainable natural convection. These appliances are not suitable to any hazardous area. See our dedicated range to hazardous areas.

## Manufacturing capabilities

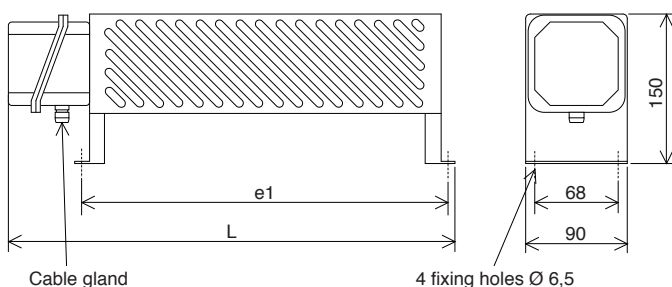
Other supply voltage and heating power on request.

### Room radiators with steel housing – Without control thermostat

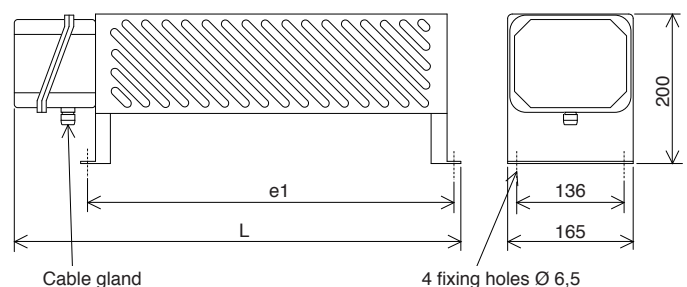
Power (+5/-10%)	Reference*		L (mm)	e1 (mm)	Weight (kg)
	230 V 1P	400 V 3P			
500 W	6007.01	/	430	360	3
750 W	6007.02	/	530	460	3,5
1000 W	6007.03	/	630	560	4

Power (+5/-10%)	Reference*		L (mm)	e1 (mm)	Weight (kg)
	230 V 1P	400 V 3P			
1500 W	6008.11	6008.01	520	435	6
2000 W	6008.12	6008.02	595	510	6,5
3000 W	6008.13	6008.03	885	800	9
4500 W	/	6008.04	1170	1085	12

Range 6007



Range 6008



## Room radiators with steel housing – With control thermostat

Power (+5/-10%)	Reference*		L (mm)	e1 (mm)	Weight (kg)
	230 V 1P	400 V 3P			
500 W	6007.21	/	465	360	3
750 W	6007.22	/	565	460	3,5
1000 W	6007.23	/	665	560	4

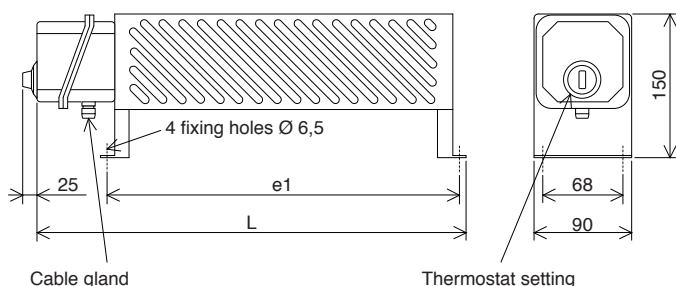
Power (+5/-10%)	Reference*		L (mm)	e1 (mm)	Weight (kg)
	230 V 1P	400 V 3P			
1500 W	6008.31	6008.21	520	435	6
2000 W	6008.32	6008.22	595	510	6,5
3000 W	6008.33	6008.23	885	800	9
4500 W	/	6008.24	1170	1085	12

## Room radiators with stainless steel housing – With control thermostat

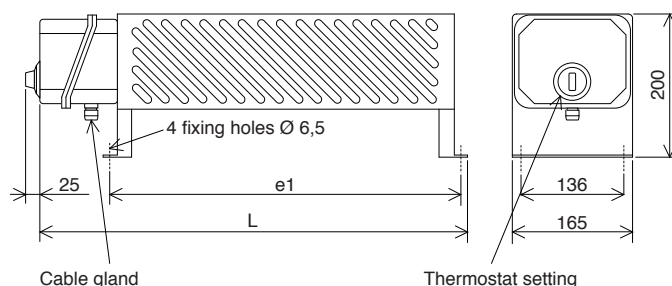
Power (+5/-10%)	Reference*		L (mm)	e1 (mm)	Weight (kg)
	230 V 1P	400 V 3P			
500 W	6103.21	/	465	360	3
750 W	6103.22	/	565	460	3,5
1000 W	6103.23	/	665	560	4

Power (+5/-10%)	Reference*		L (mm)	e1 (mm)	Weight (kg)
	230 V 1P	400 V 3P			
1500 W	6104.31	6104.21	520	435	6
2000 W	6104.32	6104.22	595	510	6,5
3000 W	6104.33	6104.23	885	800	9
4500 W	/	6104.24	1170	1085	12

Ranges 6007 and 6103



Ranges 6008 and 6104



## Accessories

### For ranges 6007 and 6103:

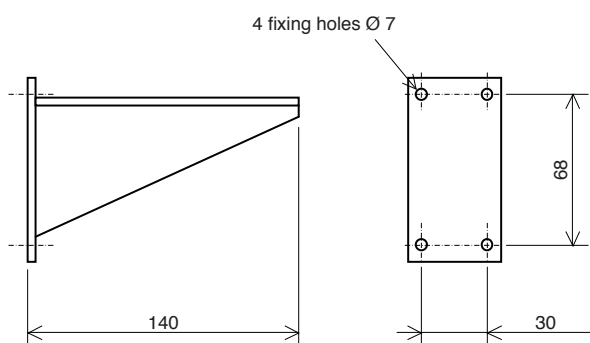
Pair of protected steel brackets for wall mounting  
P/N. 6006.20 (weight: 0,5 kg)

Spare thermostat: P/N. 6099.01

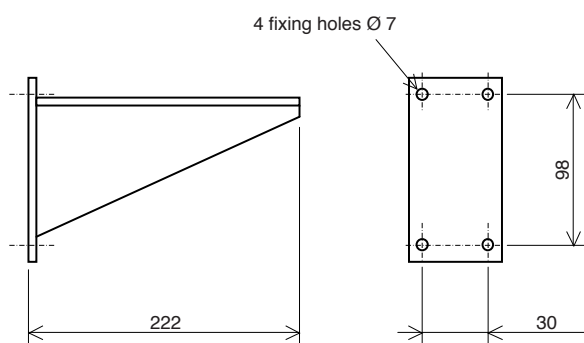
### For ranges 6008 and 6104:

Pair of protected steel brackets for wall mounting  
P/N. 6008.20 (weight: 0,9 kg)

Spare thermostat: P/N. 6099.02



Brackets 6006.20



Brackets 6008.20