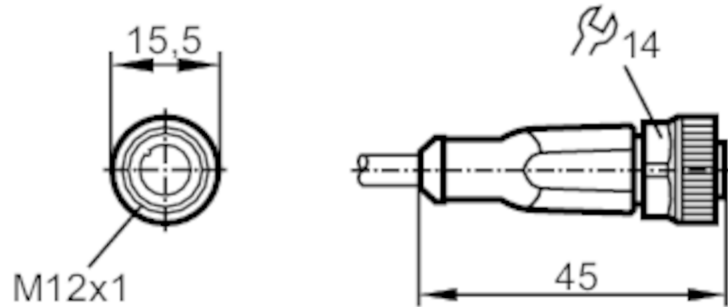




Connecting cable with socket

ADOGH040ZDB0010E04



Application	
Special feature	Free from silicone; Gold-plated contacts; Drag chain suitability
Free from silicone	yes
Electrical data	
Operating voltage [V]	< 250 AC / < 300 DC
Protection class	II
Max. current load total [A]	4
Operating conditions	
Ambient temperature [°C]	-25...70
Ambient temperature (moving) [°C]	5...70
Storage temperature [°C]	-25...55
Storage humidity [%]	10...100
Other climatic conditions for storage according to stated class	1K22/ DIN 60721-3-1
Protection	IP 65; IP 67
Mechanical data	
Weight [g]	338.5
Dimensions [mm]	15.5 x 15.5 x 45
Materials	housing: TPU orange; Sealing: FKM
Material nut	brass, nickel-plated
Drag chain suitability	yes

EVS023



Connecting cable with socket

ADOGH040ZDB0010E04

Drag chain suitability	bending radius for flexible use	min. 10 x cable diameter
	travel speed	max. 3.3 m/s for a horizontal travel length of 5 m and max. acceleration of 5 m/s ²
	bending cycles	1 Mio.
	torsional strain	± 180 °/m

Remarks

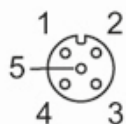
Pack quantity 1 pcs.

Electrical connection

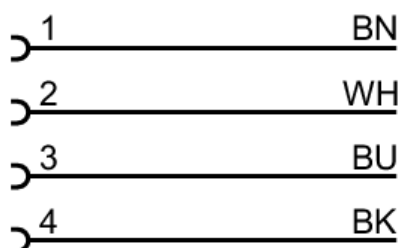
Cable: 10 m, PVC, black, Ø 4.5 mm; 4 x 0.25 mm² (14 x Ø 0.15 mm)

Electrical connection - socket

Connector: 1 x M12, straight; coding: A; Locking: brass, nickel-plated; Contacts: gold-plated; Tightening torque: 0.6...1.5 Nm



Connection



Core colours :
BK = black
BN = brown
BU = blue
WH = white