

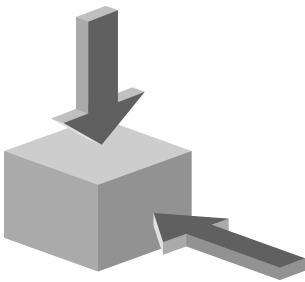
STP3A-2131A024M (Order no. 091493)

Safety switch STP with door monitoring contact

- ▶ Actuating head made of metal
- ▶ Auxiliary release on the front
- ▶ With door monitoring contact



Approach direction



Horizontal and vertical
Can be adjusted in 90° steps

Solenoid operating voltage

- ▶ AC/DC 24 V +10%, -15%

Guard locking type

STP3 Closed-circuit current principle, guard locking by spring force. Release by applying voltage to the guard locking solenoid.

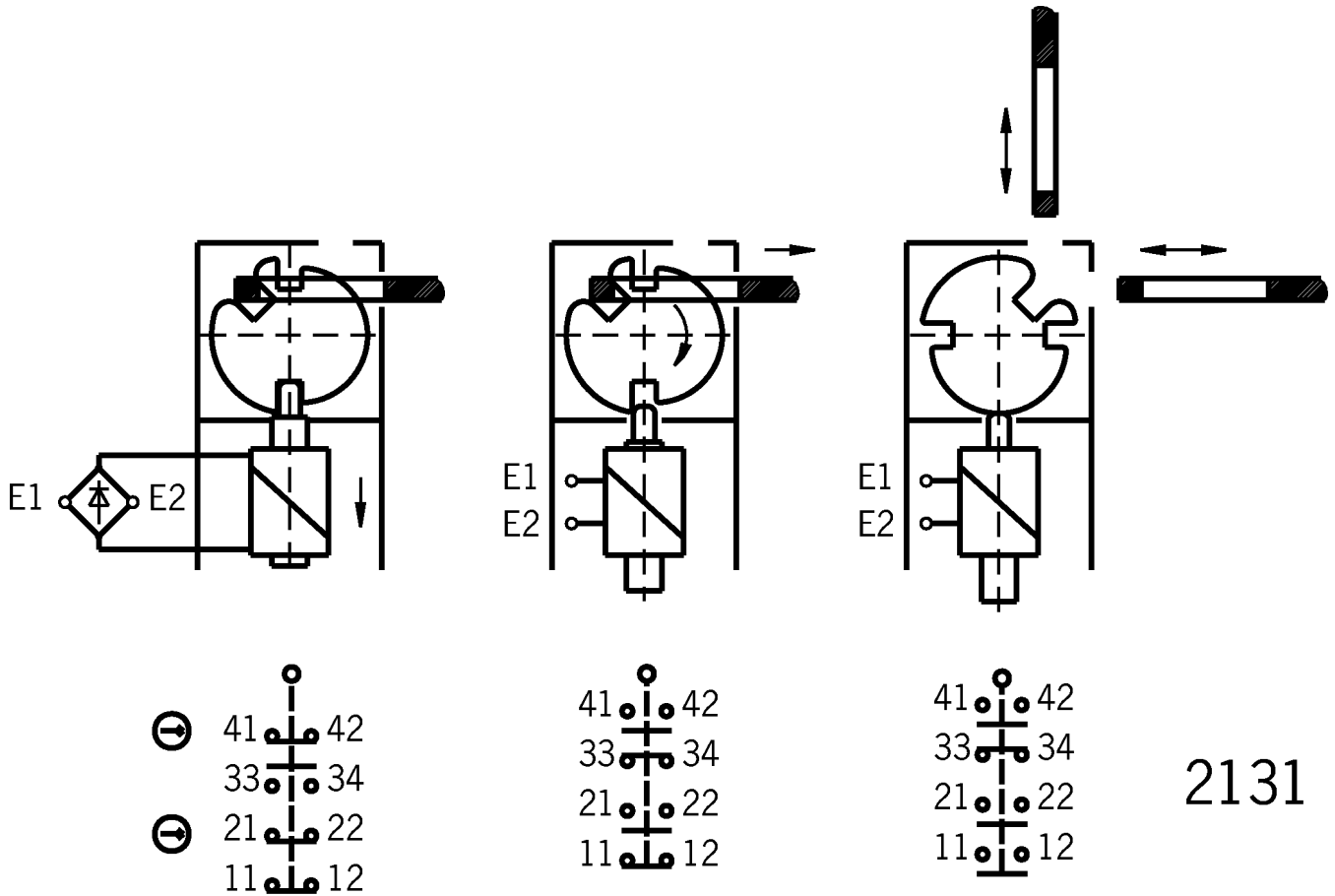
Switching element

2131 Slow-action switching contact 2 NC \ominus + 1 NO + 1 NC (door monitoring contact)

Auxiliary release

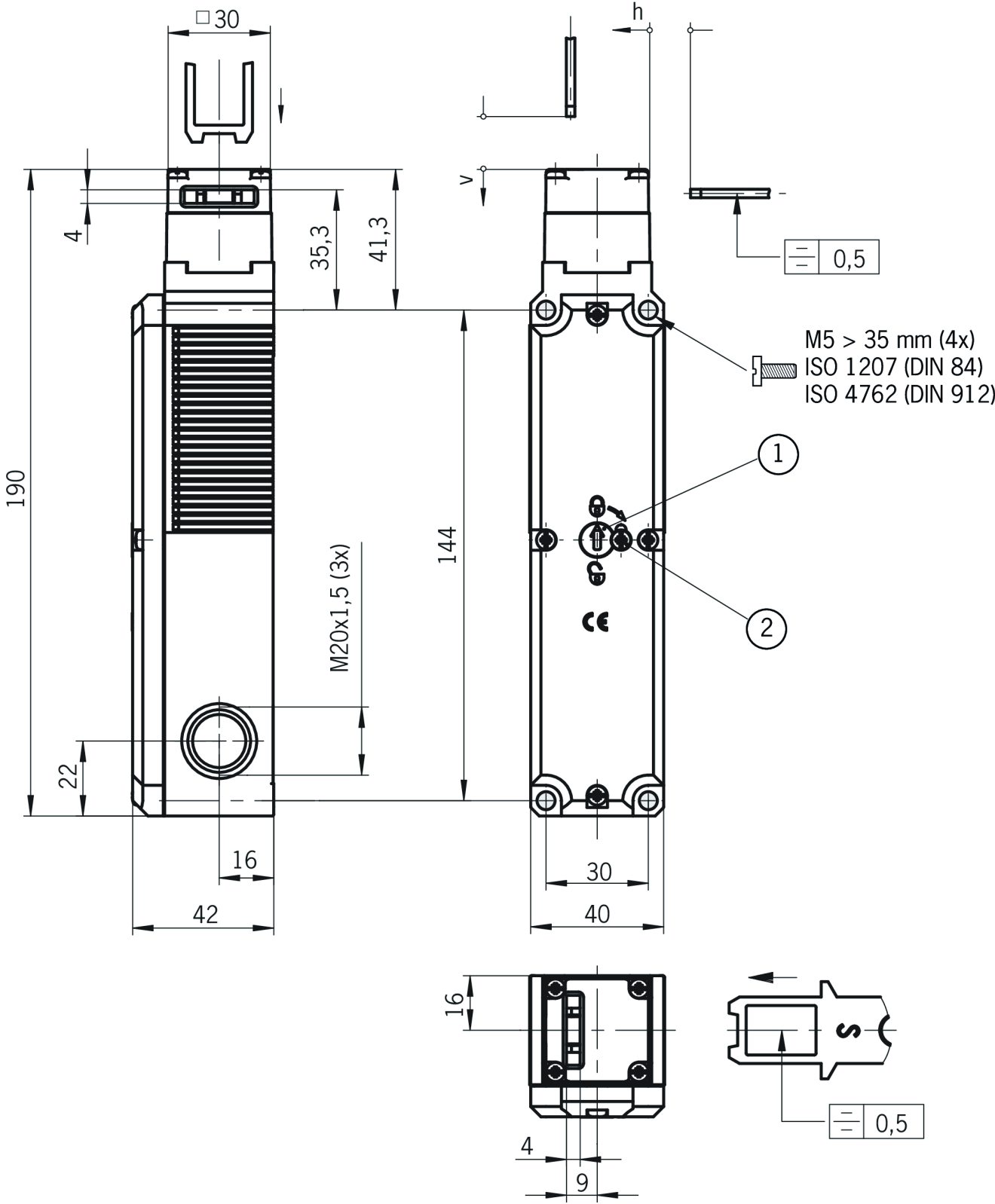
This is used for releasing the guard locking with the aid of a tool. To protect against tampering, the auxiliary release is sealed with sealing lacquer.

Functional drawings



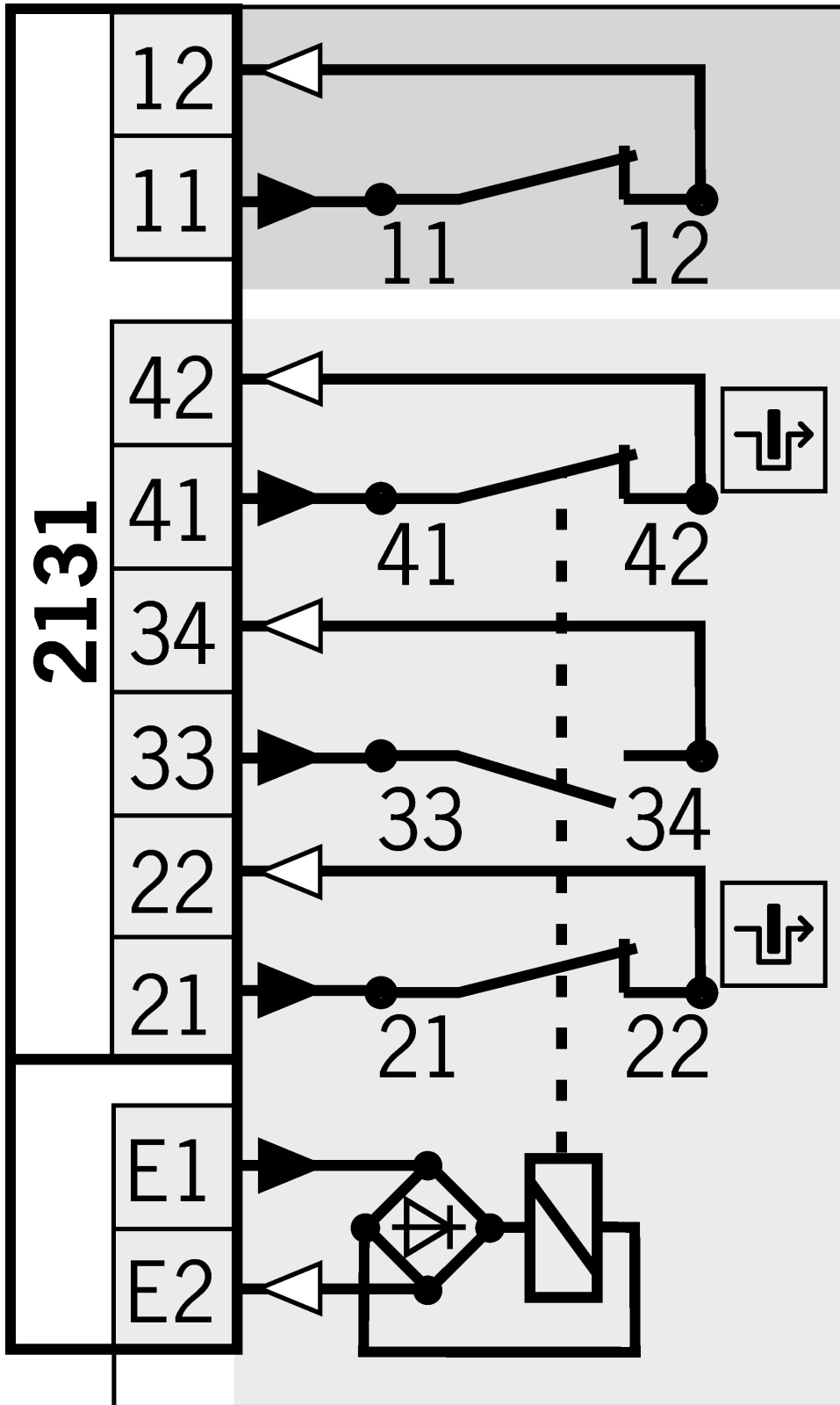
2131

Dimensional drawings



- 1 Auxiliary release
- 2 Locking screw

Connection examples



Door monitoring

Solenoid monitoring

Technical data

Approvals



Electrical connection values

Power consumption	8 W
Connection cross section	0.34 ... 1.5 mm ²
Rated insulation voltage U _i	250 V
Rated impulse withstand voltage U _{imp}	2.5 kV
Utilization category	
	AC-15 4 A 230 V
	DC-13 4 A 24 V
Short circuit protection according to IEC 60269-1	4A gG
Solenoid operating voltage	
	AC/DC 24 V -15% ... +10%
Solenoid duty cycle	100 %
Switching voltage	
	min. at 10 mA 12 V
Switching current	
	min. at 24 V 1 mA
thermal rated current I _{th}	4 A

Mechanical values and environment

Approach speed	max. 20 m/min
Approach direction	A
Connection type	
	3 x M20 x 1.5
Number of door position NC contacts	1
Number of guard lock monitoring NO contacts	1

In combination with actuator ACTUATOR-S-GT-SN

Overtravel

5 mm

Downloads

All documentation for this material can be found on our website:

<https://www.euchner.de/en-us/a/091493/?#downloads-tab>

Ordering data

Ordernumber	091493
Item designation	STP3A-2131A024M
Gross weight	0,516kg
Customs tariff number	85365019000
ECLASS	27-27-26-03 Safety switch with guard control

Accessories

Actuator

Actuator S for safety switch SGA/SGP/STA/STP/STM



095738

BETAETIGER-S-GT-SN

- ▶ Two safety screws included
- ▶ Actuator with rubber bush



097861

BETAETIGER-S-G-SN-C2115

- ▶ Two safety screws included
- ▶ Physically compatible with TP actuator P-G

Actuator S for safety switch SGA/SGP/STA/STP/STM for insertion funnel



095739

BETAETIGER-S-GT-LN

- ▶ Two safety screws included
- ▶ Actuator with rubber bush

Actuator S, bent, for safety switch SGA/SGP/STA/STP/STM



095740

BETAETIGER-S-WQT-SN

- ▶ Two safety screws included



105808

BETAETIGER-S-WT-SN-C2115

- ▶ Two stainless-steel safety screws per actuator
- ▶ Actuator with rubber bush
- ▶ Minimum door radius 300 mm



115073

BETAETIGER-S-W-SN-C2115

- ▶ Two stainless-steel safety screws per actuator
- ▶ Minimum door radius 300 mm

Actuator S, bent, for safety switch SGA/SGP/STA/STP/STM for insertion funnel



095741

BETAETIGER-S-WQT-LN

- ▶ Two safety screws included
- ▶ Actuator with rubber bush



105809

BETAETIGER-S-WT-LN-C2115

- ▶ Two stainless-steel safety screws per actuator
- ▶ Actuator with rubber bush
- ▶ Minimum door radius 300 mm

Hinged actuator S, left/right, for safety switch SGA/SGP/STA/STP/STM



096838

RADIUSBETAETIGER-S-LR-SN

- ▶ Actuator made of stainless steel
- ▶ Two safety screws included
- ▶ For doors hinged on the right and left

Hinged actuator S, left/right, for safety switch SGA/SGP/STA/STP/STM for insertion funnel



096844

RADIUSBETAETIGER-S-LR-LN

- ▶ Actuator made of stainless steel
- ▶ Two stainless-steel safety screws per actuator
- ▶ For doors hinged on the right and left

Hinged actuator S, top/bottom, for safety switch SGA/SGP/STA/STP/STM



095315

RADIUSBETAETIGER-S-OU-SN

- ▶ Actuator made of stainless steel
- ▶ Two safety screws included
- ▶ For top-hinged and bottom-hinged doors

Hinged actuator S, top/bottom, for safety switch SGA/SGP/STA/STP/STM for insertion funnel



096697

RADIUSBETAETIGER-S-OU-LN

- ▶ Actuator made of stainless steel
- ▶ Two stainless-steel safety screws per actuator
- ▶ For top-hinged and bottom-hinged doors

Function expansion

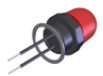
Built-in LED, light shines to front



095510

EINBAULEUCHTE LED-F M20X1,5

Built-in LED, light shines to side



087423

EINBAULEUCHTE LED M20X1,5

Emergency release for safety switch CTP/CTA/TP/STP/MGB2



099877

AE-M-A1-99877

Handle for wire front release (bowden)



099795

AY-HDL-099795

- ▶ suitable for all wire front releases

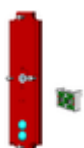
Insertion funnel for safety switch SGP/STA/STP/STM/SGA



093157

EINFUEHRTRICHTER-S

LED set



098035

STP LED SET

Lock for auxiliary release for safety switch CTP/CTA/TP/STP



084177
AE-K-A1-DULK1-84177

- ▶ Lock unique locking
- ▶ Key removable in “unlocked” and “locked” positions



086236
AE-K-A1-IULK1-86236

- ▶ Identical locking
- ▶ Key removable in “unlocked” and “locked” positions



109212
AE-K-A1-IUK2-109212

- ▶ Identical locking
- ▶ Key can be removed only in “unlocked” position



121917
AE-K-A1-ILK1-121917

- ▶ Identical locking
- ▶ Key removable in “locked” position

Lockout bar STA/STP/SGA/SGP/STM



105701
SPERREINSATZ STP/STA

- ▶ Prevents unintentional closing of the door
- ▶ Can be secured with padlocks

Release with automatic reset for safety switch CTP/CTA/TP/STP/MGB2/MGBS



103110
AE-R-A1-103110

Wire front release (bowden)



096230
AE-B-A1-02,0-096230

- ▶ Can be used as escape release or emergency release
- ▶ no automatic return
- ▶ Sheath length 2 m (rope length 6 m)



097747
AE-B-A1-02,0-F-097747

- ▶ Can be used as escape release or emergency release
- ▶ automatic return
- ▶ Sheath length 2 m (rope length 6 m)



098313
AE-B-A1-03,0-098313

- ▶ Can be used as escape release or emergency release
- ▶ no automatic return
- ▶ Sheath length 3 m (rope length 6 m)



098314
AE-B-A1-04,0-098314

- ▶ Can be used as escape release or emergency release
- ▶ no automatic return
- ▶ Sheath length 4 m (rope length 6 m)



111233
AE-B-A1-03,0-F-111233

- ▶ Can be used as escape release or emergency release
- ▶ automatic return
- ▶ Sheath length 3 m (rope length 6 m)



125582
AE-B-A1-06,0-125582

- ▶ Can be used as escape release or emergency release
- ▶ no automatic return
- ▶ Rope length 6 m (without sheath)



124770
AE-B-A1-06,0-F-124770

- ▶ Can be used as escape release or emergency release
- ▶ automatic return
- ▶ Rope length 6 m (without sheath)

Metal bolt

Bolt BTC-ST/G... without escape release for safety switches STA, STP, SGP and SGA



106284
BTC-ST/G-S-TH-00-X

- ▶ Aluminum bolt
- ▶ For doors hinged on the left or right
- ▶ Can be locked in open position with padlocks
- ▶ Actuator included

Bolt BTM-UNIP-S... for safety switches TP, STP, STA, CTP and CTA



159951
BTM-UNIP-S-TH-00-X-159951

- ▶ Steel bolt
- ▶ For doors hinged on the left or right
- ▶ Can be locked in open position with padlocks
- ▶ Actuator not included

Bolt for safety switch STA, STP, SGP and SGA



096384
RIEGEL S-A

- ▶ Bolt for safety switch STA, STP, SGP and SGA
- ▶ Steel bolt
- ▶ For doors hinged on the right
- ▶ Suitable for a door gap of approx. 15 mm



096385
RIEGEL S-C

- ▶ Bolt for safety switch STA, STP, SGP and SGA
- ▶ Steel bolt
- ▶ For doors hinged on the left
- ▶ Suitable for a door gap of approx. 15 mm

Mounting accessories

Mounting plates EMP-B1 for actuators for safety switches CTP, CTA, TP...A, STA, STP, TX and TZ



093457
EMP-B1

Mounting plates EMP-B2 for actuators for safety switches CTP, CTA, TP...A, STA, STP, TX and TZ



093458
EMP-B2

Mounting plates EMP-SB for safety switches CTP, CTA, TP...A, STA, STP and TX



093456
EMP-SB

- ▶ For vertical and horizontal mounting of safety switches CTP, CTA, TP...A, STA, STP and TX

Switch bracket CTP/TP/STP GFK



096613
SCHALTERAUFNAHME TP/STP GFK

- ▶ Switch bracket made of fiber glass reinforced plastic
- ▶ For doors hinged on the left or right

Plastic bolt

Bolt for safety switch STA, STP, SGP and SGA



098121
RIEGEL STP-GFK

- ▶ Bolt for safety switch STA, STP, SGP and SGA
- ▶ Fiber glass reinforced plastic bolt
- ▶ For doors hinged on the left or right
- ▶ Suitable for a door gap of approx. 7 mm

Spare parts

Replacement key for auxiliary key release



099434
ERSATZSCHLUESSELPAAR GLEICHSCHL. 0354