



Brand of NTN corporation

## Technical data

UCP209  
Bearing units

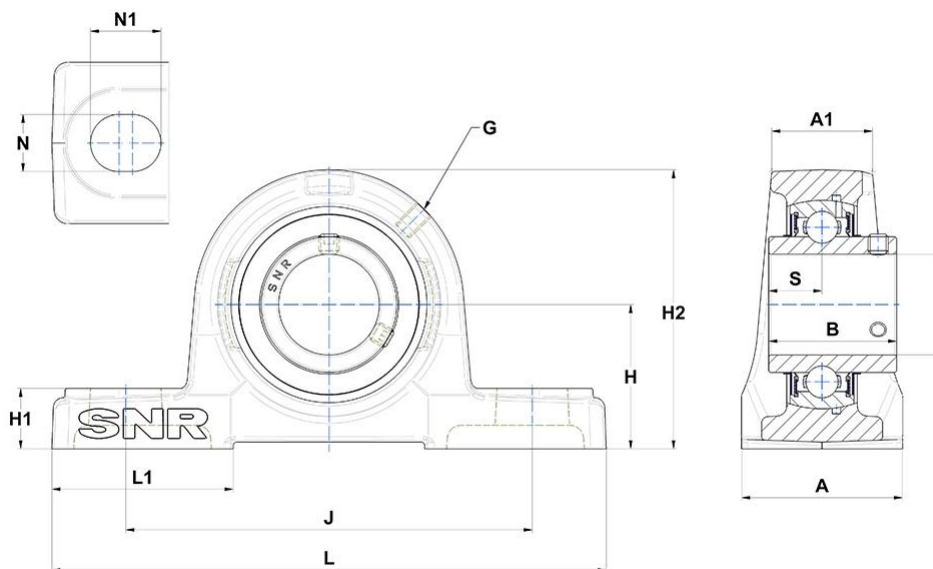


Grey cast housing, radial insert ball bearing with socket set screws, seal with slinger

### KIT CONTENT

UC209G2

### VISUAL (S)



### PRODUCT DEFINITION

<b>Brand</b>	SNR
<b>A - Housing width</b>	54 mm
<b>A1 - Housing top width</b>	37 mm
<b>B - Width of Inner Ring</b>	49,2 mm
<b>d - Shaft diameter</b>	45 mm
<b>G - Grease fitting</b>	M6x1



**NTN Europe**

1 rue des Usines · BP 2017 · 74010 Annecy Cedex · France · Tel. +33 (0)4 50 65 30 00  
S.A. au capital de 322 639 919 € · RCS ANNECY B 325 821 072 · Id. Fiscale : FR 48 325 821 072  
SIRET 325 821 072 00015 · Code APE 2815 Z · Code NACE 28.15

### PRODUCT DEFINITION

<b>H - Distance mounting base to centerline spheric. seating diam.</b>	54 mm
<b>H1 - Housing foot height</b>	20 mm
<b>H2 - Housing height</b>	108 mm
<b>J - Mounting holes distance</b>	146 mm
<b>L - Housing length</b>	190 mm
<b>L1 - Housing foot length</b>	60 mm
<b>N - Mounting hole dimension</b>	17 mm
<b>N1 - Mounting hole length</b>	23 mm
<b>S - Distance front side/bearing centre</b>	19 mm

### PRODUCT PERFORMANCE

<b>C - Dynamic load rating</b>	31,85 kN
<b>C0 - Static load rating</b>	20,8 kN
<b>Operating temperature min.</b>	-20 °C
<b>Operating temperature max.</b>	100 °C

### OTHER FEATURES

<b>Mass</b>	2,38 kg
<b>Recommended tightening torque for set screw</b>	11.5 N-m

