

# Data sheet

# LANDEFELD

## ISO 15552-90° loop strap swivel mounting 40 mm, Steel/GGG

Item number:

TF 40



Example illustration

## Item description

Warning:

Only use FFQ bolts to connect to TQ types!

## Properties

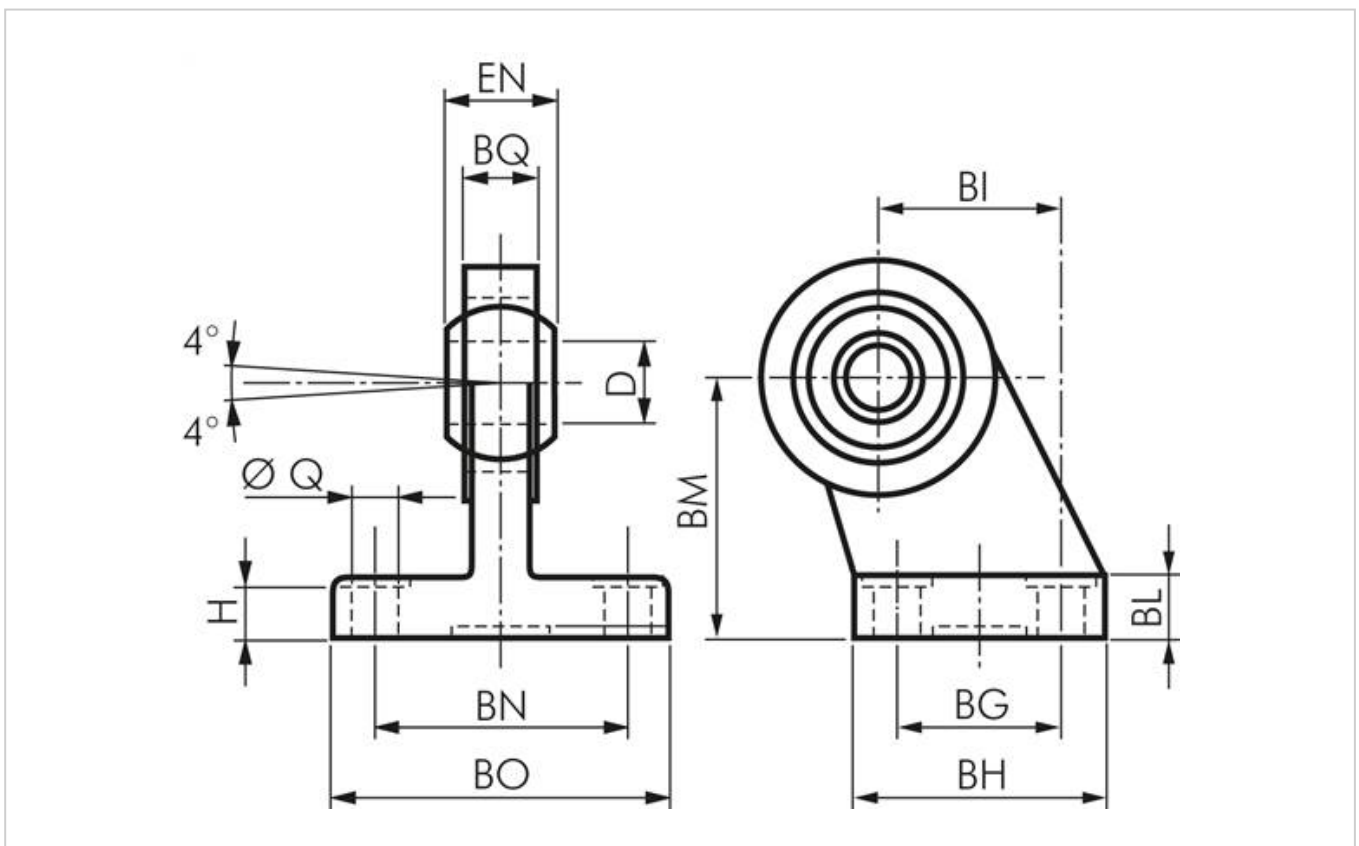
Material	Steel/GGG
for piston Ø [mm]	40
Ø Q [mm]	6,6
BG [mm]	22
BH [mm]	35
BI [mm]	24
BL [mm]	10
BM [mm]	36
BN [mm]	41
BO [mm]	54
EN [mm]	16
BQ [mm]	12,0
Ø D [mm]	12

H [mm]	8,5
--------	-----

### Further information:

Weight	220 g / pcs
GTIN	4050571694265
Customs duty number	84129080
RoHS compliant	Yes
Manufacturer	Airtec

### Drawing:



Drawing

More information on this item and the process for ordering it can be found in our online shop  
<https://www.landefeld.com> under item number **TF 40**.

Landefeld Druckluft und Hydraulik GmbH · Konrad-Zuse-Straße 1 · 34123 Kassel · Germany

*All data are to be understood as non-binding reference values! We do not assume liability for any data selection not confirmed in writing. Unless otherwise specified, pressure values refer to liquids from Group II at +20°C.*

As of: 28.06.2023