

Data sheet

LANDEFELD

ISO 15552-90° loop strap swivel mounting 50 mm, Aluminium

Item number:

TD 50



Example illustration

Properties

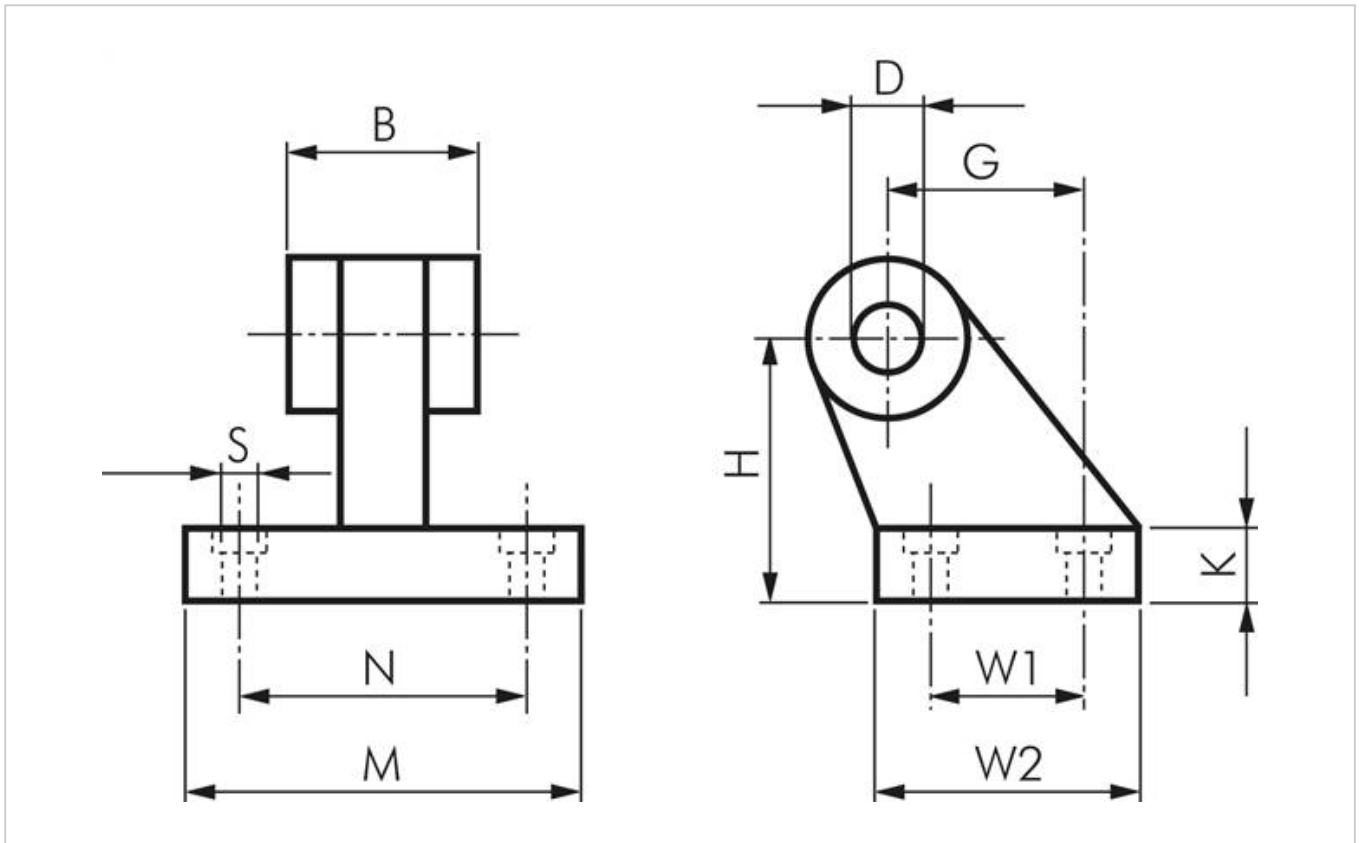
Material	Aluminium
for piston Ø [mm]	50
B [mm]	32
Ø D [mm]	12
G [mm]	33
H [mm]	45
K [mm]	12
M [mm]	65
N [mm]	50
Ø S [mm]	9,0
W1 [mm]	30
W2 [mm]	45

Further information:

Weight	135 g / pcs
GTIN	4050571690991

Customs duty number

84129080

Drawing:

Drawing

More information on this item and the process for ordering it can be found in our online shop
<https://www.landefeld.com> under item number **TD 50**.

Landefeld Druckluft und Hydraulik GmbH · Konrad-Zuse-Straße 1 · 34123 Kassel · Germany

All data are to be understood as non-binding reference values! We do not assume liability for any data selection not confirmed in writing. Unless otherwise specified, pressure values refer to liquids from Group II at +20°C.

As of: 27.06.2023