

Data sheet

Pressure gauge connection M 16x2 (Female thread) - NPT 1/4", Zinc plated steel

Item number:

ME MAIG 14 NPT



Example illustration

Item description

Materials:

Seals: NBR (1.4571: FKM)

Typ 1.4571: Körper: 1.4571, Kette & Kappe: V2A, Dichtungen: FKM

Temperature range:

-20°C to max. +100°C (1.4571: -20°C up to max. +200°C)

Application:

Test couplings are used to control the operating pressure as well as for venting if inconveniently laid tubes are in use. The screw coupling is closed and opens mechanically only after a measuring hose is screwed into it. In this way a connection is made to the medium.

Properties

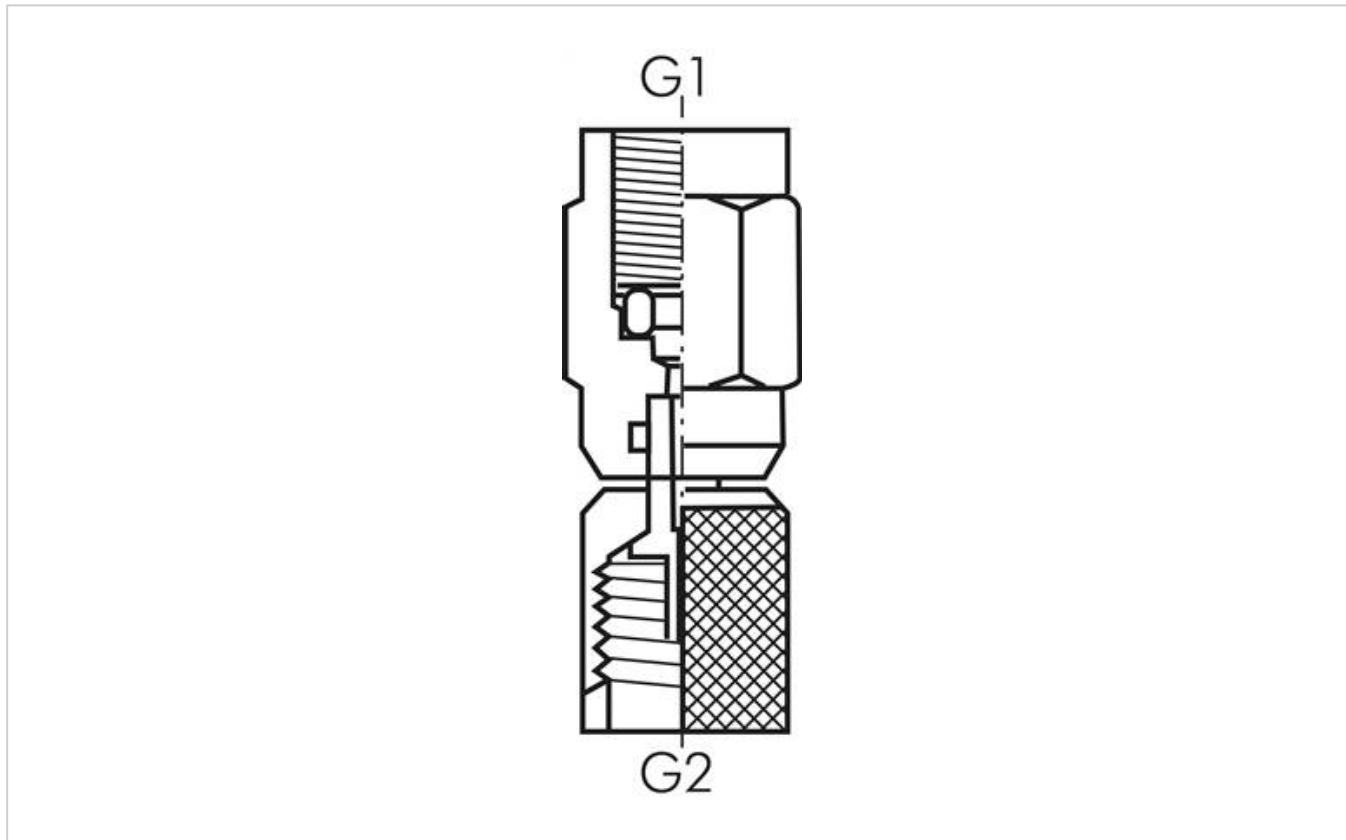
Material	Zinc plated steel
Version	for screwing onto the test couplings
Thread G1 (pressure gauge)	NPT 1/4"
Thread G2 (test couplings)	M 16x2 (Female thread)
Operating pressure [bar]	630
Temperature range [°C]	-20 to +100

Further information:

Weight	75 g / pcs
---------------	------------

GTIN	4050571486037
Customs duty number	84812010
RoHS compliant	Yes

Drawing:



Drawing: for screwing onto the test couplings

More information on this item and the process for ordering it can be found in our online shop
<https://www.landefeld.com> under item number **ME MAIG 14 NPT**.

Landefeld Druckluft und Hydraulik GmbH · Konrad-Zuse-Straße 1 · 34123 Kassel · Germany

All data are to be understood as non-binding reference values! We do not assume liability for any data selection not confirmed in writing. Unless otherwise specified, pressure values refer to liquids from Group II at +20°C.

As of: 28.06.2023