

Data sheet

Test coupling M16x2 - G 3/8" (Male thread), Zinc plated steel

Item number:

ME 38



Example illustration

Item description

Materials:

Seals: NBR (1.4571: FKM)

Typ 1.4571: Körper: 1.4571, Kette & Kappe: V2A, Dichtungen: FKM

Temperature range:

-20°C to max. +100°C (1.4571: -20°C up to max. +200°C)

Application:

Test couplings are used to control the operating pressure as well as for venting if inconveniently laid tubes are in use. The screw coupling is closed and opens mechanically only after a measuring hose is screwed into it. In this way a connection is made to the medium.

Properties

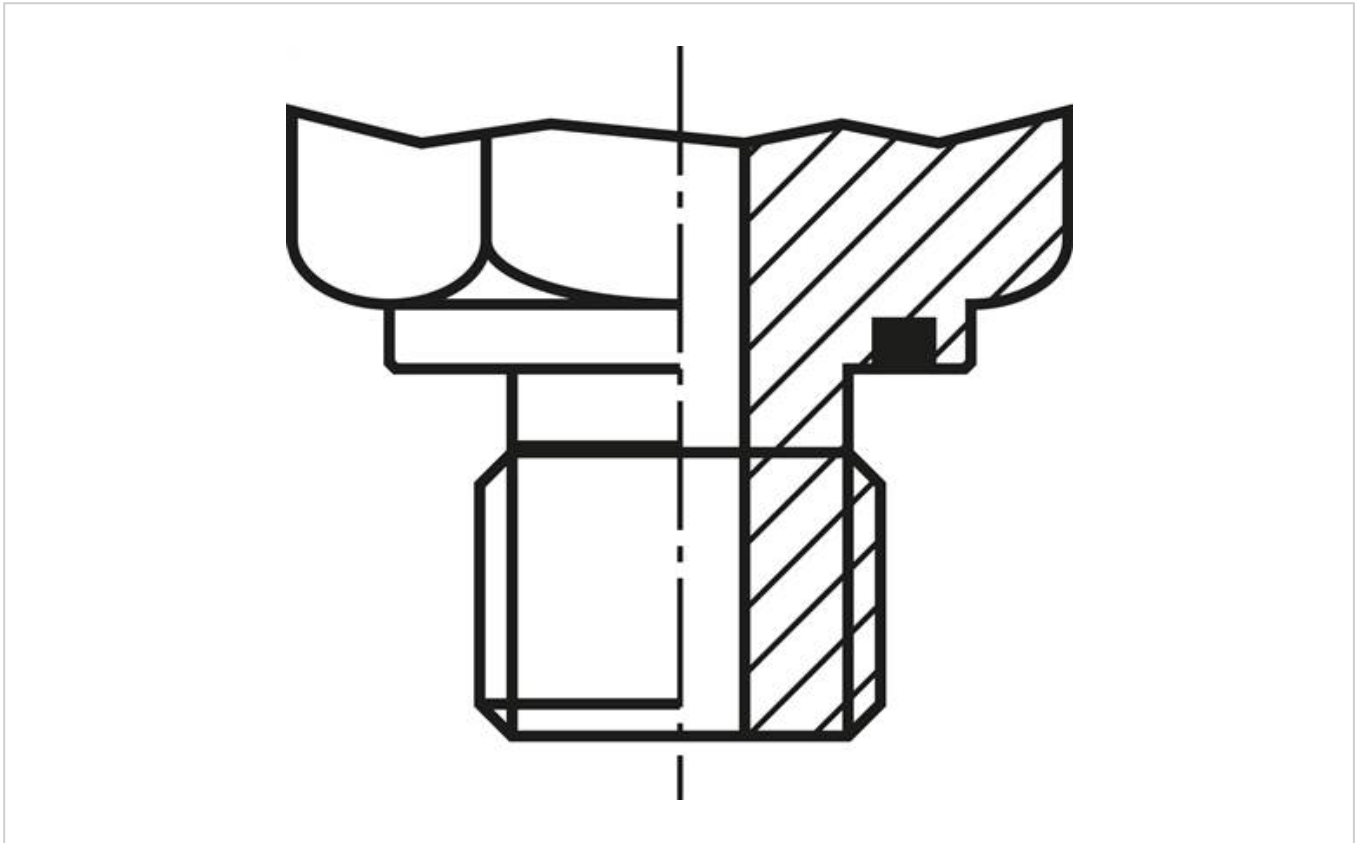
Material	Zinc plated steel
Screw-in thread	G 3/8"
Operating pressure [bar]	630
Type of sealing	B
Temperature range [°C]	-20 to +100

Further information:

Weight	85 g / pcs
GTIN	4050571485313

Customs duty number

84812010

Drawing:

Drawing: Type of sealing B

More information on this item and the process for ordering it can be found in our online shop
<https://www.landefeld.com> under item number **ME 38**.

Landefeld Druckluft und Hydraulik GmbH · Konrad-Zuse-Straße 1 · 34123 Kassel · Germany

All data are to be understood as non-binding reference values! We do not assume liability for any data selection not confirmed in writing. Unless otherwise specified, pressure values refer to liquids from Group II at +20°C.

As of: 29.06.2023