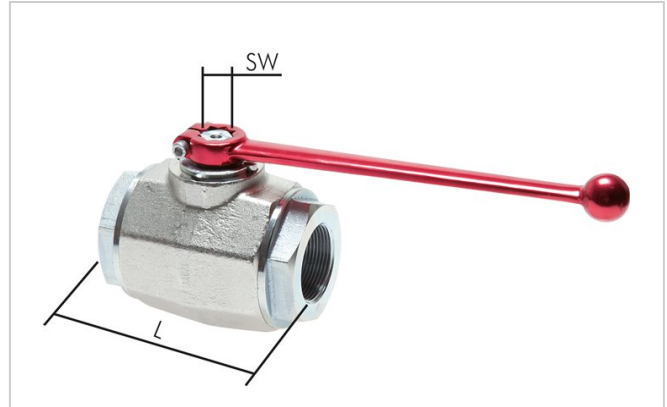


Data sheet

High pressure ball valve, steel, G 1-1/2", 0 to 420bar

Item number:

KH 112 HD



Example illustration

Item description

Materials:

Housing: zinc-plated steel, ball: hard chromium-plated steel, seal: POM / NBR, handle: zinc die-casting (from DN 20: straight - aluminium, angled - zinc-plated steel)

Temperature range:

-10°C to +80°C

Media:

Hydraulic oil, heating oil (water only after release by us)

Optional:

NPT thread -NPT

Properties

Thread	G 1-1/2"
DN [mm]	40
L [mm]	130
PN [bar]	0 to 420
SW [mm]	17
Replacement handles straight	G KH SW17
Replacement handles angled	G KH SW17 GK

Further information:

Weight	4,5 kg / pcs
---------------	--------------

GTIN	4050571406547
Customs duty number	84818081
RoHS compliant	Yes
Manufacturer	Hydac

More information on this item and the process for ordering it can be found in our online shop
<https://www.landefeld.com> under item number **KH 112 HD**.

Landefeld Druckluft und Hydraulik GmbH · Konrad-Zuse-Straße 1 · 34123 Kassel · Germany

All data are to be understood as non-binding reference values! We do not assume liability for any data selection not confirmed in writing. Unless otherwise specified, pressure values refer to liquids from Group II at +20°C.

As of: 07.07.2023