

# Data sheet

# LANDEFELD

## Brass ball valve, Eco-Line, Rp 1", 0 to 25bar

### Item number:

KH 10 B E-KN



Example illustration

## Item description

### Materials:

Body: nickel-plated brass, ball: chrome-plated brass, seal: PTFE / NBR

### Temperature range:

-20°C to +95°C

### Media:

Compressed air, water, oils

### Optional:

with butterfly handle -KN (1/4" - 1-1/4")

## Properties

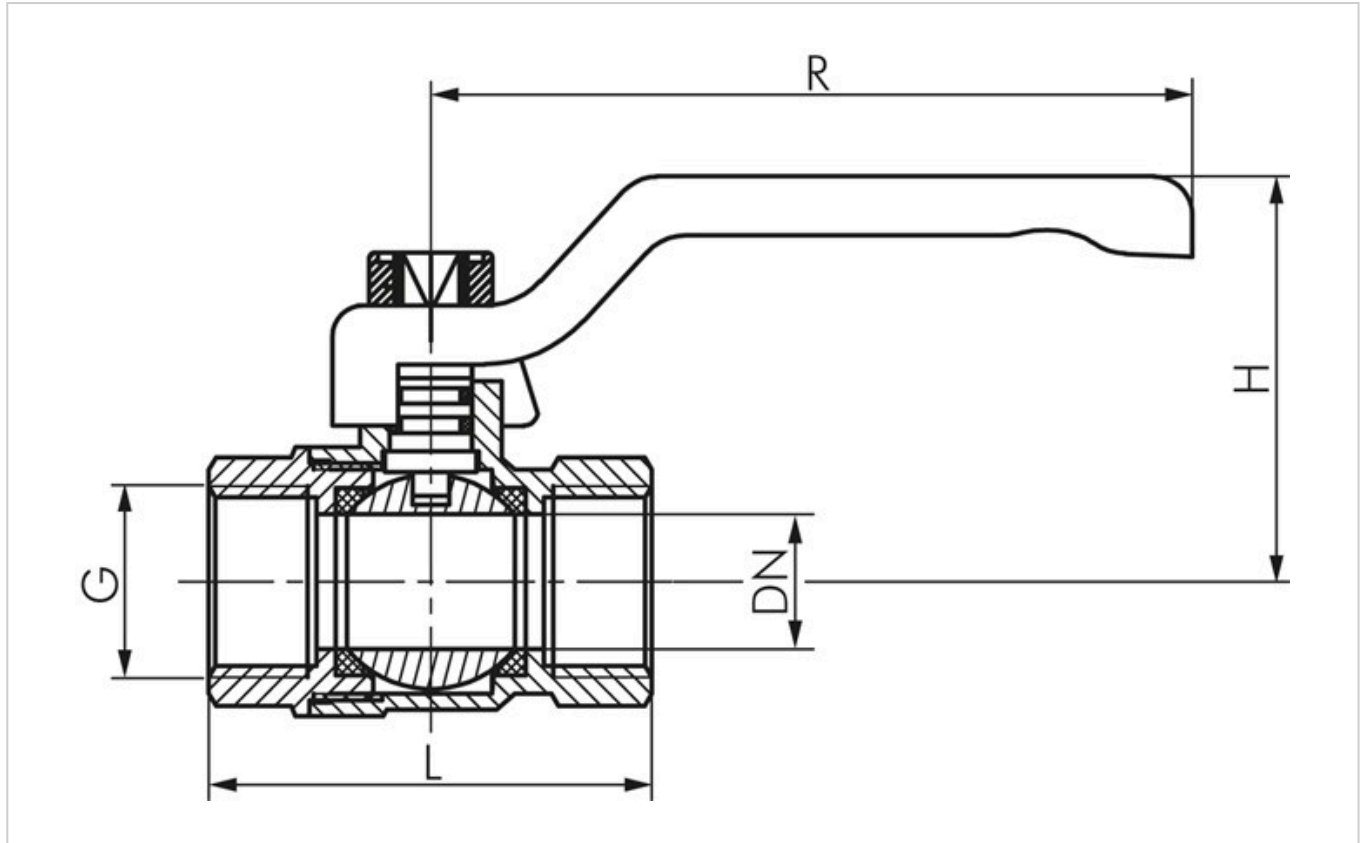
Version	Butterfly handle
Thread G	Rp 1"
DN [mm]	23
L [mm]	65
PN [bar]	0 - 25
H [mm]	54
R [mm]	113

## Further information:

Weight	390 g / pcs
--------	-------------

GTIN	4050571405175
Customs duty number	84818081
RoHS compliant	Yes

## Drawing:



Drawing: 2-part ball valve, full bore, short design

More information on this item and the process for ordering it can be found in our online shop  
<https://www.landefeld.com> under item number **KH 10 B E-KN**.

Landefeld Druckluft und Hydraulik GmbH · Konrad-Zuse-Straße 1 · 34123 Kassel · Germany

*All data are to be understood as non-binding reference values! We do not assume liability for any data selection not confirmed in writing. Unless otherwise specified, pressure values refer to liquids from Group II at +20°C.*

As of: 13.05.2024