



## CZ-H32

Reflective Sensor Head, Variable Spot

CE

\*Please note that accessories depicted in the image are for illustrative purposes only and may not be included with the product.

## Specifications

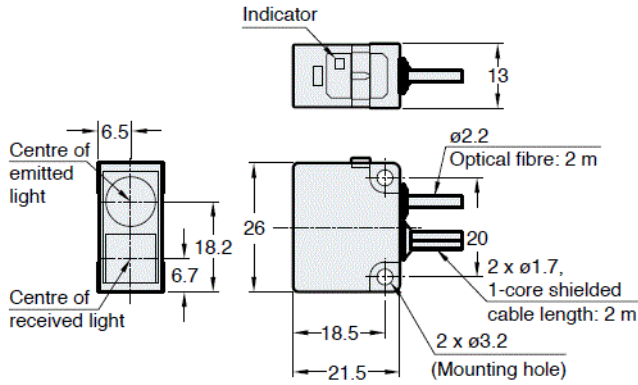
Model	CZ-H32	
Type	Adjustable spot	
Detecting area	50 to 95 mm 1.97" to 3.74" (Recommended: 70 mm 2.76")	
Smallest spot diameter	Small: 3 mm 0.12" dia. Medium: 4.5 mm 0.18" dia. Large: 5.5 mm 0.22" dia. at respective reference distance*1	
Light source	Red LED (665 nm)/Green LED (520 nm)/Blue LED (465 nm)	
Minimum bend radius of fiber	25 mm 0.98"	
Environmental resistance	Enclosure rating	IP40
	Ambient light	Incandescent lamp: 10,000 lux max., Sunlight: 20,000 lux max.
	Ambient temperature	-10 to +55 °C 14 to 131 °F (No freezing)
	Vibration resistance	10 to 55 Hz, Double amplitude 1.5 mm 0.06", 2 hours in each of the X, Y, and Z axis
Material	Housing : Fiberglass reinforced plastic , Lens cover : Polyarylate	
Weight	Approx. 40 g	

\*1 Reference distance: 65 mm 2.56" for Small, 60 mm 2.36" for Medium, and 50 mm 1.97" for Large

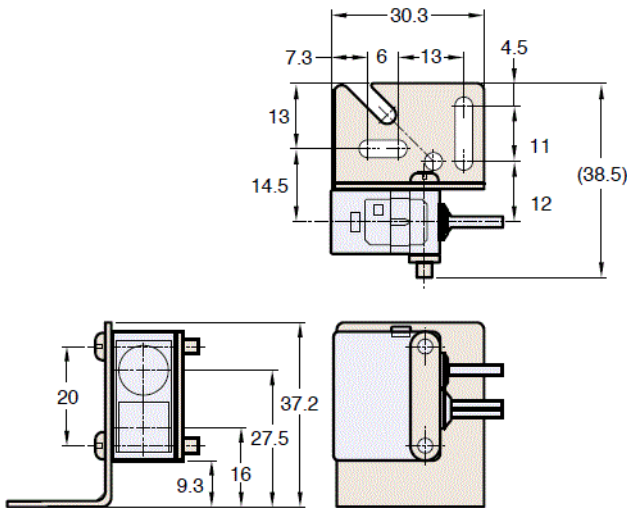
# Dimensions

\* Download CAD file or product manual for larger image/text and more detail.

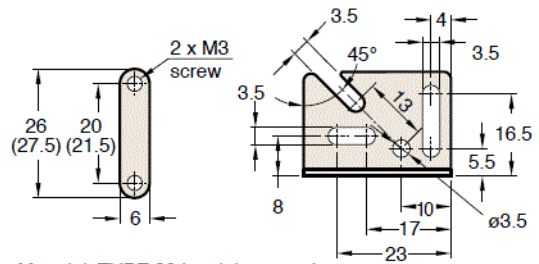
## CZ-H32



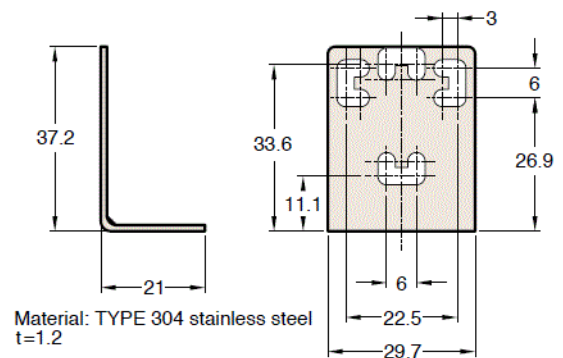
### When a mounting bracket is attached



### Mounting bracket (Supplied with the CZ-H32, H35S, and H37S)



Material: TYPE 304 stainless steel  
t=1.5  
The figures in parentheses apply to CZ-H37S only.



Material: TYPE 304 stainless steel  
t=1.2

Supplied screw: 20 x M3 screws (2)