



Getting Started Guide

Commander SK

AC variable speed drive for
3 phase induction motors
from 0.25kW to 7.5kW,
0.33hp to 10hp

Model sizes A, B, C and D

Part Number: 0472-0000-06

Issue: 6



www.controltechniques.com

General Information

The manufacturer accepts no liability for any consequences resulting from inappropriate, negligent or incorrect installation or adjustment of the optional parameters of the equipment or from mismatching the variable speed drive with the motor.

The contents of this guide are believed to be correct at the time of printing. In the interests of commitment to a policy of continuous development and improvement, the manufacturer reserves the right to change the specification of the product or its performance, or the content of the guide without notice.

All rights reserved. No parts of this guide may be reproduced or transmitted in any form or by any means, electrical or mechanical including, photocopying, recording or by an information storage or retrieval system, without permission in writing from the publisher.

Drive software version

This product is supplied with the latest version of user-interface and machine control software. If this product is to be used in a new or existing system with other drives, there may be some differences between their software and the software in this product. These differences may cause the product to function differently. This may also apply to drives returned from the Control Techniques Service Centre.

If there is any doubt, please contact your local Control Techniques Drive Centre or Distributor.

Environmental Statement

Control Techniques is committed to minimising the environmental impacts of its manufacturing operations and of its products throughout their life cycle. To this end, we operate an Environmental Management System (EMS) which is certified to the International Standard ISO 14001. Further information on the EMS, our Environment Policy and other relevant information is available on request, or can be found at www.greendrives.com.

The electronic variable speed drives manufactured by Control Techniques have the potential to save energy and (through increased machine/process efficiency) reduce raw material consumption and scrap throughout their long working lifetime. In typical applications, these positive environmental effects far outweigh the negative impacts of product manufacture and end-of-life disposal.

Nevertheless, when the products eventually reach the end of their useful life, they can very easily be dismantled into their major component parts for efficient recycling. Many parts snap together and can be separated without the use of tools, while other parts are secured with conventional screws.

Virtually all parts of the product are suitable for recycling.

Product packaging is of good quality and can be re-used. Large products are packed in wooden crates, while smaller products come in strong cardboard cartons which themselves have a high-recycled fibre content. If not re-used, these containers can be recycled. Polythene, used on the protective film and bags from wrapping product, can be recycled in the same way. Control Techniques' packaging strategy favours easily recyclable materials of low environmental impact, and regular reviews identify opportunities for improvement.

When preparing to recycle or dispose of any product or packaging, please observe local legislation and best practice.

Contents

1	Safety Information	5
1.1	Warnings, Cautions and Notes	5
1.2	Electrical Safety - general warning	5
1.3	System design and safety of personnel	5
1.4	Environmental Limits	5
1.5	Access	6
1.6	Compliance and regulations	6
1.7	Motor	6
1.8	Adjusting parameters	6
1.9	Electrical installation	6
2	Rating Data	8
3	Mechanical Installation	10
4	Electrical Installation	12
4.1	Power terminal connections	12
4.2	Ground leakage	13
4.3	EMC	14
4.4	Control terminals I/O specification	15
5	Keypad and Display	19
5.1	Programming keys	19
5.2	Control keys	19
5.3	Selecting and changing parameters	20
5.4	Saving parameters	21
5.5	Parameter access	21
5.6	Security codes	22
5.7	Setting drive back to default values	22
6	Parameters	23
6.1	Parameter descriptions - Level 1	23
6.2	Parameter descriptions - Level 2	29
6.3	Parameter descriptions - Level 3	38
6.4	Diagnostic parameters	38
7	Quick Start Commissioning	39
7.1	Terminal control	39
7.2	Keypad control	41
8	Diagnostics	43
9	Options	46
9.1	Documentation	47
10	Parameter List	48
11	UL Listing Information	50
11.1	UL information (for Commander SK size A, B and C)	50

Declaration of Conformity

Control Techniques Ltd
The Gro
Newtown
Powys
UK
SY16 3BE

SKA1200025	SKA1200037	SKA1200055	SKA1200075	
SKB1100075	SKB1100110	SKBD200110	SKBD200150	
SKB3400037	SKB3400055	SKB3400075	SKB3400110	SKB3400150
SKCD200220	SKC3400220	SKC3400300	SKC3400400	
SKDD200300	SKD3200400			
SKD3400550	SKD3400750			

The AC variable speed drive products listed above have been designed and manufactured in accordance with the following European harmonised standards:

EN 61800-5-1	Adjustable speed electrical power drive systems - safety requirements - electrical, thermal and energy
EN 61800-3	Adjustable speed electrical power drive systems. EMC product standard including specific test methods
EN 61000-6-2	Electromagnetic compatibility (EMC). Generic standards. Immunity standard for industrial environments
EN 61000-6-4	Electromagnetic compatibility (EMC). Generic standards. Emission standard for industrial environments
EN 61000-3-2	Electromagnetic compatibility (EMC), Limits, Limits for harmonic current emissions (equipment input current <16A per phase)
EN 61000-3-3	Electromagnetic compatibility (EMC), Limits, Limitation of voltage fluctuations and flicker in low-voltage supply systems for equipment with rated current <16A

EN 61000-3-2: Applicable where input current <16A. No limits apply for professional equipment where input power >1kW.

SKA1200025, SKA1200037, SKA1200055: input choke required

All other units: for professional use only

EN 61000-3-3: Applicable where input current <16A and supply voltage 230/400V

These products comply with the Low Voltage Directive 73/23/EEC, the Electromagnetic Compatibility (EMC) Directive 89/336/EEC and the CE Marking Directive 93/68/EEC.

W. Drury

Executive VP Technology

Date: 7 March 2007

These electronic drive products are intended to be used with appropriate motors, controllers, electrical protection components and other equipment to form complete end products or systems. Compliance with safety and EMC regulations depends upon installing and configuring drives correctly, including using the specified input filters. The drives must be installed only by professional assemblers who are familiar with requirements for safety and EMC. The assembler is responsible for ensuring that the end product or system complies with all the relevant laws in the country where it is to be used. Refer to the *Commander SK Getting Started Guide*. An EMC Data Sheet is also available giving detailed EMC information.

1 Safety Information

1.1 Warnings, Cautions and Notes



A **Warning** contains information, which is essential for avoiding a safety hazard.



A **Caution** contains information, which is necessary for avoiding a risk of damage to the product or other equipment.

NOTE

A **Note** contains information, which helps to ensure correct operation of the product.

1.2 Electrical Safety - general warning

The voltages used in the drive can cause severe electrical shock and/or burns, and could be lethal. Extreme care is necessary at all times when working with or adjacent to the drive.

Specific warnings are given at the relevant places in this guide.

1.3 System design and safety of personnel

The drive is intended as a component for professional incorporation into complete equipment or system. If installed incorrectly, the drive may present a safety hazard.

The drive uses high voltages and currents, carries a high level of stored electrical energy, and is used to control equipment which can cause injury.

System design, installation, commissioning and maintenance must be carried out by personnel who have the necessary training and experience. They must read this safety information and this guide carefully.

The STOP and START controls or electrical inputs of the drive must not be relied upon to ensure safety of personnel. They do not isolate dangerous voltages from the output of the drive or from any external option unit. The supply must be disconnected by an approved electrical isolation device before gaining access to the electrical connections.

The drive is not intended to be used for safety-related functions.

Careful consideration must be given to the function of the drive which might result in a hazard, either through its intended behaviour or through incorrect operation due to a fault. In any application where a malfunction of the drive or its control system could lead to or allow damage, loss or injury, a risk analysis must be carried out, and where necessary, further measures taken to reduce the risk - for example, an over-speed protection device in case of failure of the speed control, or a fail-safe mechanical brake in case of loss of motor braking.

1.4 Environmental Limits

Instructions within the supplied data and information within the *Commander SK Technical Data Guide* regarding transport, storage, installation and the use of the drive must be complied with, including the specified environmental limits. Drives must not be subjected to excessive physical force.

1.5 Access

Access must be restricted to authorised personnel only. Safety regulations which apply at the place of use must be complied with.

The IP (Ingress Protection) rating of the drive is installation dependant. For further information, refer to the *Commander SK Technical Data Guide*.

1.6 Compliance and regulations

The installer is responsible for complying with all relevant regulations, such as national wiring regulations, accident prevention regulations and electromagnetic compatibility (EMC) regulations. Particular attention must be given to the cross-sectional areas of conductors, the selection of fuses and other protection, and protective earth (ground) connections.

The *Commander SK EMC Guide* contains instructions for achieving compliance with specific EMC standards.

Within the European Union, all machinery in which this product is used must comply with the following directives:

98/37/EC: Safety of machinery

89/336/EEC: Electromagnetic compatibility

1.7 Motor

Ensure the motor is installed in accordance with the manufacturer's recommendations. Ensure the motor shaft is not exposed.

Standard squirrel cage induction motors are designed for single speed operation. If it is intended to use the capability of a drive to run a motor at speeds above its designed maximum, it is strongly recommended that the manufacturer is consulted first.

Low speeds may cause the motor to overheat because the cooling fan becomes less effective. The motor should be fitted with a protection thermistor. If necessary, an electric force vent fan should be used.

The values of the motor parameters set in the drive affect the protection of the motor. The default values in the drive should not be relied upon.

It is essential that the correct value is entered into parameter **06**, motor rated current. This affects the thermal protection of the motor.

1.8 Adjusting parameters

Some parameters have a profound effect on the operation of the drive. They must not be altered without careful consideration of the impact on the controlled system.

Measures must be taken to prevent unwanted changes due to error or tampering.

1.9 Electrical installation

1.9.1 Electric shock risk

The voltages present in the following locations can cause severe electric shock and may be lethal:

- AC supply cables and connections
- DC bus, dynamic brake cables and connections
- Output cables and connections
- Many internal parts of the drive, and external option units

Unless otherwise indicated, control terminals are single insulated and must not be touched.

1.9.2 Isolation device

The AC supply must be disconnected from the drive using an approved isolation device before any cover is removed from the drive or before any servicing work is performed.

1.9.3 STOP function

The STOP function does not remove dangerous voltages from the drive, the motor or any external option units.

1.9.4 Stored charge

The drive contains capacitors that remain charged to a potentially lethal voltage after the AC supply has been disconnected. If the drive has been energised, the AC supply must be isolated at least ten minutes before work may continue.

Normally, the capacitors are discharged by an internal resistor. Under certain, unusual fault conditions, it is possible that the capacitors may fail to discharge, or be prevented from being discharged by a voltage applied to the output terminals. If the drive has failed in a manner that causes the display to go blank immediately, it is possible the capacitors will not be discharged. In this case, consult Control Techniques or their authorised distributor.

1.9.5 Equipment supplied by plug and socket

Special attention must be given if the drive is installed in equipment which is connected to the AC supply by a plug and socket. The AC supply terminals of the drive are connected to the internal capacitors through rectifier diodes which are not intended to give safety isolation. If the plug terminals can be touched when the plug is disconnected from the socket, a means of automatically isolating the plug from the drive must be used (e.g. a latching relay).

1.9.6 Ground leakage current

The drive is supplied with an internal EMC filter capacitor fitted. If the input voltage to the drive is supplied through an ELCB or RCD, these may trip due to the ground leakage current. See section 4.3.1 *Internal EMC filter* on page 14 for further information and how to disconnect the internal EMC capacitor.

2 Rating Data

Figure 2-1 Model code explanation

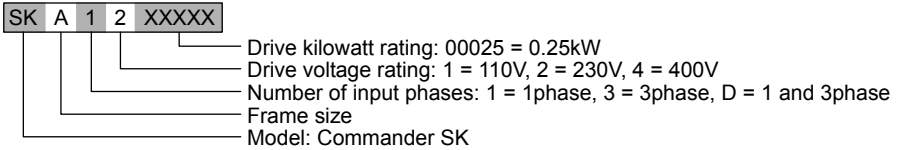


Table 2-1 Commander SK, 1 phase, 200 to 240VAC $\pm 10\%$, 48 to 62Hz units

Model Number	Nominal motor power		Input fuse rating A	Typical full load input current A	100% RMS output current A	150% overload current for 60s A	Minimum braking resistor value Ω
	kW	hp			Heavy Duty		
SKA1200025	0.25	0.33	6	4.3	1.7	2.55	68
SKA1200037	0.37	0.5	10	5.8	2.2	3.3	68
SKA1200055	0.55	0.75	10	8.1	3.0	4.5	68
SKA1200075	0.75	1.0	16	10.5	4.0	6.0	68

Table 2-2 Commander SK, 1 phase, 100 to 120VAC $\pm 10\%$, 48 to 62Hz units

Model Number	Nominal motor power		Input fuse rating A	Typical full load input current A	100% RMS output current A	150% overload current for 60s A	Minimum braking resistor value Ω
	kW	hp			Heavy Duty		
SKB1100075	0.75	1.0	25	19.6	4.0	6.0	28
SKB1100110	1.1	1.5	32	24.0	5.2	7.8	28

Table 2-3 Commander SK, 1 and 3 phase, 200 to 240VAC $\pm 10\%$, 48 to 62Hz units

Model Number	Nominal motor power		Input fuse rating A		Typical full load input current A		Maximum continuous input current A		100% RMS output current A	150% overload current for 60s A	Minimum braking resistor value Ω
	kW	hp	1ph	3ph	1ph	3ph	1ph	3ph	Heavy Duty		
SKBD200110	1.1	1.5	16	10	14.2	6.7		9.2	5.2	7.8	28
SKBD200150	1.5	2.0	20	16	17.4	8.7		12.6	7.0	10.5	28
SKCD200220	2.2	3.0	25	20	23.2	11.9		17.0	9.6	14.4	28
SKDD200300	3.0	3.0	25	16	23.6	12.5		16.6	12.6	18.9	20
SKD3200400	4.0	5.0		20		15.7		19.5	17.0	25.5	20

Table 2-4 Commander SK, 3 phase, 380 to 480VAC ±10%, 48 to 62Hz units

Model Number	Nominal motor power		Input fuse rating A	Typical full load input current A	Maximum continuous input current A	100% RMS output current A	150% overload current for 60s A	Minimum braking resistor value Ω
	kW	hp				Heavy Duty		
SKB3400037	0.37	0.5	6	1.7	2.5	1.3	1.95	100
SKB3400055	0.55	0.75	6	2.5	3.1	1.7	2.55	100
SKB3400075	0.75	1.0	6	3.1	3.75	2.1	3.15	100
SKB3400110	1.1	1.5	6	4.0	4.6	2.8	4.2	100
SKB3400150	1.5	2.0	10	5.2	5.9	3.8	5.7	100
SKC3400220	2.2	3.0	16	7.3	9.6	5.1	7.65	100
SKC3400300	3.0	3.0	16	9.5	11.2	7.2	10.8	55
SKC3400400	4.0	5.0	16	11.9	13.4	9.0	13.5	55
SKD3400550	5.5	7.5	16	12.4	14.3	13.0	19.5	53
SKD3400750	7.5	10.0	20	15.6	16.9	16.5	24.75	53

Output frequency

0 to 1500Hz

Output voltage

110V drives:

3 phase, 0 to 240Vac (240 Vac maximum set by Pr 08).

NOTE 110V drives contain a voltage doubler circuit on the AC input.

200V and 400V drives:

3 phase, 0 to drive rating (240 or 480Vac maximum set by Pr 08).

NOTE The output voltage can be increased by 20% during deceleration. See Pr 30 on page 32

NOTE The maximum continuous current inputs are used to calculate input cable and fuse sizing. Where no maximum continuous input currents are indicated, use the typical full load input current values. See *Commander SK Technical Data Guide* for cable and fuse data.

Safety Information
Rating Data
Mechanical Installation
Electrical Installation
Keypad and Display
Parameters
Quick Start Commissioning
Diagnostics
Options
Parameter List
UL Listing Information

3 Mechanical Installation

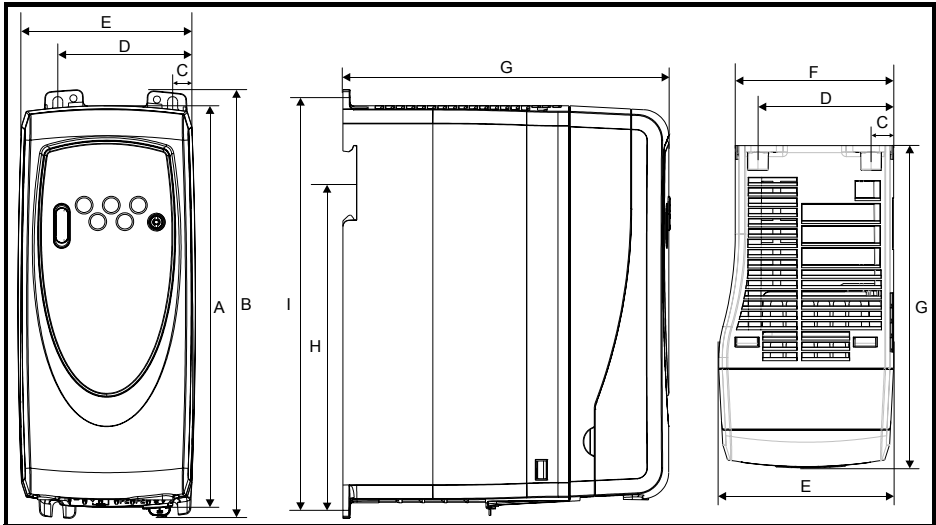


Enclosure

The drive is intended to be mounted in an enclosure which prevents access except by trained and authorised personnel, and which prevents the ingress of contamination. It is designed for use in an environment classified as pollution degree 2 in accordance with IEC 60664-1. This means that only dry, non-conducting contamination is acceptable.

The drive complies with the requirements of IP20 as standard.

Figure 3-1 Commander SK dimensions



Mounting holes: 4 x M4 holes (size A to C), 4 x M5 holes (size D)

Table 3-1 Commander SK dimensions

Drive size	A		B		C		D		E		F		G		H*		I	
	mm	in	mm	in	mm	in	mm	in	mm	in	mm	in	mm	in	mm	in	mm	in
A	140	5.51	154	6.06	11	0.43	64	2.52	75	2.95			145	5.71	104	4.09	143	5.63
B	190	7.48	205	8.07	10.9	0.43	65.9	2.6	85	3.35	77	3.0	156	6.15	155.5	6.12	194	7.64
C	240	9.45	258	10.16	10.4	0.41	81.1	3.2	100	3.94	91.9	3.62	173	6.81			244	9.61
D	300	11.81	335	13.19	14.5	0.57	100.5	3.96	115	4.53			198	7.80			315	12.4

*Size C and D are not DIN rail mountable.

NOTE

If DIN rail mounting is used in an installation where the drive is to be subjected to shock or vibration, it is recommended that the bottom mounting screws are used to secure the drive to the back plate.

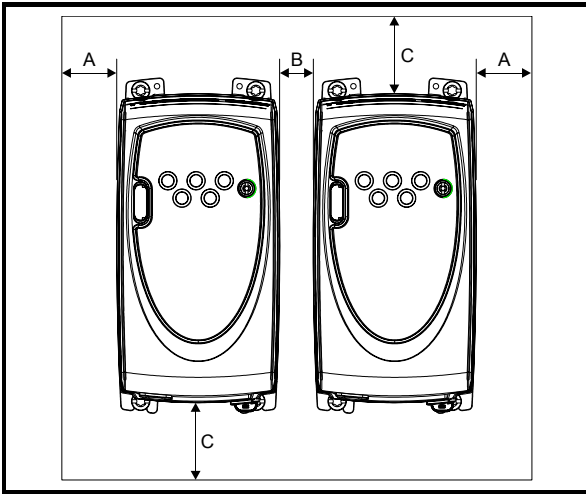
If the installation is going to be subjected to heavy shock and vibration, then it is recommended that the drive is surface mounted rather than DIN rail mounted.

NOTE

The DIN rail mounting mechanism has been designed so no tools are required to install and remove the drive from a DIN rail. Please ensure the top mounting lugs are located correctly on the DIN rail before installation is initiated.

The DIN rail used should conform to DIN46277-3.

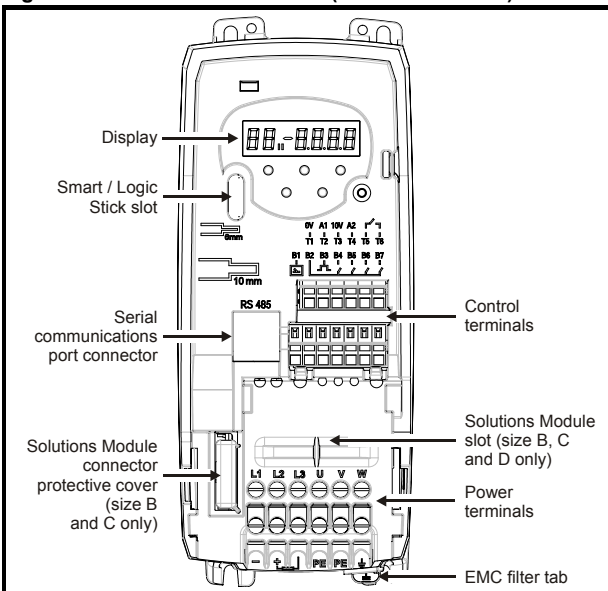
Figure 3-2 Minimum mounting clearances



Drive size	A		B		C	
	mm	in	mm	in	mm	in
A			0	0		
B ($\leq 0.75\text{kW}$)			10*	0.39*		
B ($\geq 1.1\text{kW}$) or B (110V)	10	0.39	0	0	100	3.94
C			50*	1.97*		
D			0	0		

*This is the minimum spacing between drives at the base of the drive where it is mounted against a back plate.

Figure 3-3 Features of the drive (size B illustrated)



4 Electrical Installation

4.1 Power terminal connections

Figure 4-1 Size A power terminal connections

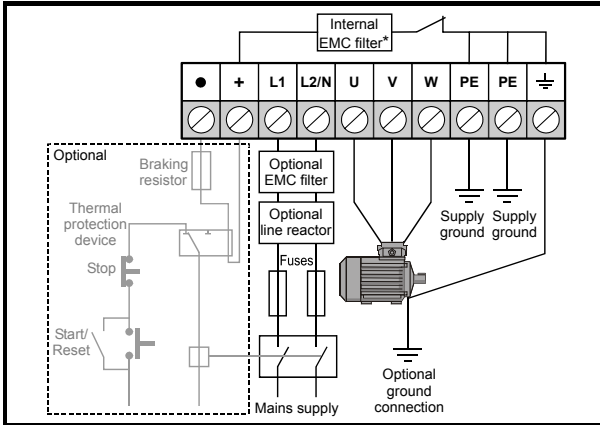
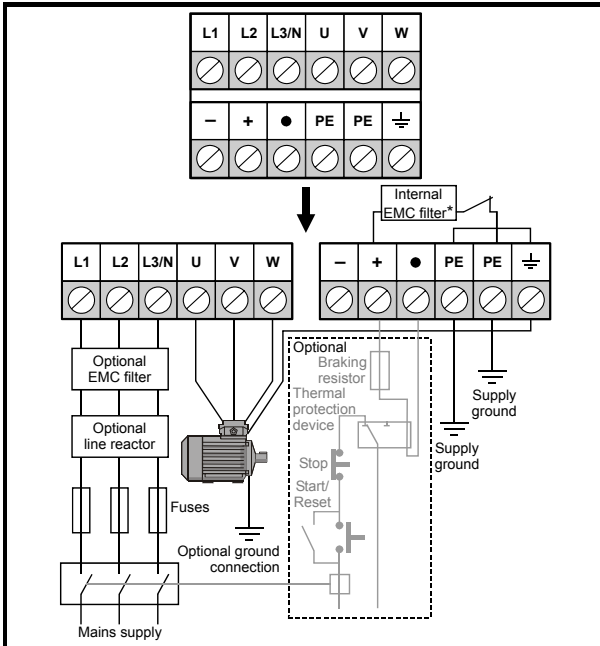


Figure 4-2 Sizes B, C and D power terminal connections





*For further information, see section 4.3.1 *Internal EMC filter* on page 14.




Fuses/MCB

The AC supply to the drive must be fitted with suitable protection against overload and short circuits. Failure to observe this requirement will cause risk of fire. See the *Commander SK Technical Data Guide* for fuse data.

 The drive must be grounded by a conductor sufficient to carry the prospective fault current in the event of a fault. See also the warning in section 4.2 *Ground leakage* relating to ground leakage current.

 To avoid a fire hazard and maintain validity of the UL listing, adhere to the specified tightening torques for the power and ground terminals. Refer to the table below.

Frame size	Maximum power terminal screw torque
A	0.5 N m / 4.4 lb in
B, C and D	1.4 N m / 12.1 lb in

 **Braking resistor: High temperatures and overload protection**
 Braking resistors can reach high temperatures. Locate braking resistors so that damage cannot result. Use cable having insulation capable of withstanding the high temperatures. It is essential that the braking resistor be protected against overload caused by a failure of the brake control. Unless the resistor has in-built protection, a circuit like those shown in Figure 4-1 and Figure 4-2 should be used, where the thermal protection device disconnects the AC supply to the drive. Do not use AC relay contacts directly in series with the braking resistor circuit, because it carries DC.

NOTE When connecting single phase to a dual rated 200V unit, use terminals L1 and L3.

NOTE For control terminal connections, see Pr **05** on page 24.

NOTE For information on the internal EMC filter, see section 4.3.1 *Internal EMC filter* .

4.2 Ground leakage

The ground leakage current depends upon the internal EMC filter being fitted. The drive is supplied with the filter fitted. Instructions for removal of the internal EMC filter are given in section 4.3.2 *Removing the internal EMC filter* .

With internal EMC filter fitted

30µA DC (10MΩ internal bleed resistor, relevant where DC leakage current is being measured)

Size A
 10mA AC at 230V, 50Hz (proportional to supply voltage and frequency)

Size B
1 phase 110V drives
 10mA AC at 110V, 50Hz (proportional to supply voltage and frequency)

Size B and C
1 phase 200V drives
 20mA AC at 230V, 50Hz (proportional to supply voltage and frequency)

3 phase 200V drives
 8mA AC at 230V, 50Hz (proportional to supply voltage and frequency)

3 phase 400V drives
 8.2mA AC at 415V, 50Hz (proportional to supply voltage and frequency)

Size D
1 phase 200V drives
 20.5mA AC at 230V, 50Hz (proportional to supply voltage and frequency)

3 phase 200V drives
 8mA AC at 230V, 50Hz (proportional to supply voltage and frequency)

3 phase 400V drives
 10.5mA AC at 415V, 50Hz (proportional to supply voltage and frequency)

NOTE

The above leakage currents are just the leakage currents of the drive with the internal EMC filter connected and do not take into account any leakage currents of the motor or motor cable.

With internal EMC filter removed

<1mA

NOTE

In both cases, there is an internal voltage surge suppression device connected to ground. Under normal circumstances, this carries negligible current.



WARNING

When the internal EMC filter is fitted, the leakage current is high. In this case, a permanent fixed ground connection must be provided using two independent conductors each with a cross-section equal to or exceeding that of the supply conductors. The drive is provided with two ground terminals to facilitate this. The purpose is to prevent a safety hazard occurring if a connection is lost.

4.2.1 Use of earth (ground) leakage circuit breakers (ELCB) / residual current device (RCD)

There are three common types of ELCB/RCD:

Type AC - detects AC fault currents

Type A - detects AC and pulsating DC fault currents (provided the DC current reaches zero at least once every half cycle)

Type B - detects AC, pulsating DC and smooth DC fault currents

- Type AC should never be used with drives
- Type A can only be used with single phase drives
- Type B must be used with three phase drives

4.3 EMC

4.3.1 Internal EMC filter

It is recommended that the internal EMC filter is kept in place unless there is a specific reason for removing it.

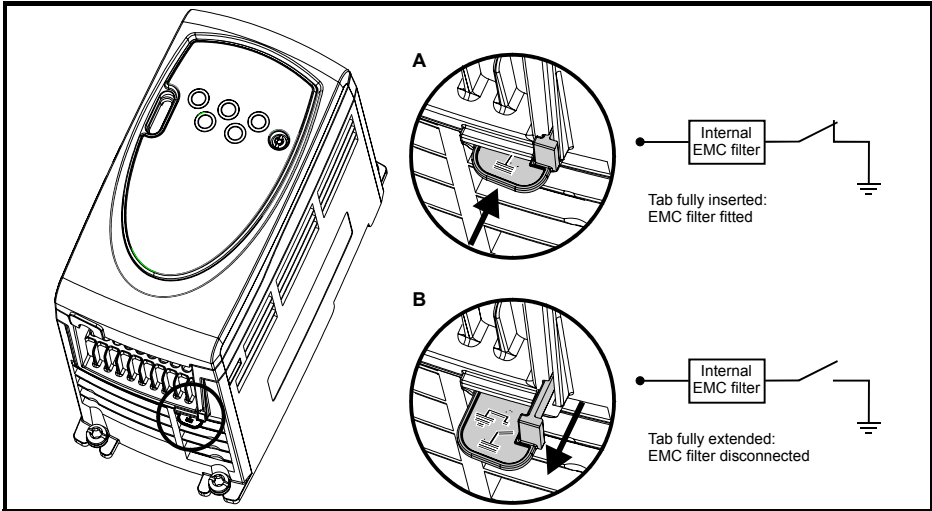
If the drive is to be used on an IT supply, then the filter must be removed.

The internal EMC filter reduces radio-frequency emissions into the mains supply. Where the motor cable is short, it permits the requirements of EN61800-3 to be met for the second environment.

For longer motor cables, the filter continues to provide a useful reduction in emission level, and when used with any length of shielded cable up to the limit for the drive, it is unlikely that nearby industrial equipment will be disturbed. It is recommended that the filter be used in all applications unless the ground leakage current is unacceptable or the above conditions are true.

4.3.2 Removing the internal EMC filter

Figure 4-3 Removal and re-fitting of internal EMC filter



4.3.3 Further EMC precautions

Further EMC precautions are required if more stringent EMC emission requirements apply:

- Operation in the first environment of EN 61800-3
- Conformity to the generic emission standards
- Equipment which is sensitive to electrical interference operating nearby


In this case it is necessary to use:


- The optional external EMC filter
- A screened motor cable, with screen clamped to the grounded metal panel
- A screened control cable, with screen clamped to the grounded metal panel

Full instructions are given in the *Commander SK EMC Guide*.

A full range of external EMC filters is also available for use with Commander SK.

4.4 Control terminals I/O specification

 **WARNING** The control circuits are isolated from the power circuits in the drive by basic insulation (single insulation) only. The installer must ensure that the external control circuits are insulated from human contact by at least one layer of insulation (supplementary insulation) rated for use at the AC supply voltage.

 **WARNING** If the control circuits are to be connected to other circuits classified as Safety Extra Low Voltage (SELV) (e.g. to personal computer), an additional isolating barrier must be included in order to maintain the SELV classification.



WARNING

The above warnings also apply to the PCB edge connector for the optional Solutions Modules. To allow a Solutions Module to be fitted to Commander SK, a protective cover must be removed to allow access to the PCB edge connector. See Figure 3-3 on page 11. This protective cover provides protection from direct contact of the PCB edge connector by the user. When this cover is removed and a Solutions Module fitted, the Solutions Module provides the protection from direct contact by the user. If the Solutions Module is then removed, this PCB edge connector becomes exposed. The user is required to provide protection in this case, to protect against direct contact of this PCB edge connector.

NOTE See Pr **05** on page 24 (*Drive configuration*) for terminal connection / set-up diagrams and details.

NOTE The digital inputs are positive logic only.

NOTE The analogue inputs are unipolar. For information on a bipolar input, see the *Commander SK Advanced User Guide*.

T1 0V common

T2 Analogue input 1 (A1), either voltage or current (see Pr 16)	
Voltage: Current input	0 to 10V / mA as parameter range
Parameter range	4-20, 20-4, 0-20, 20-0, 4-.20, 20-.4, VoLt
Scaling	Input range automatically scaled to Pr 01 <i>Minimum set speed</i> / Pr 02 <i>Maximum set speed</i>
Input impedance	200Ω (current) / 100kΩ (voltage)
Resolution	0.1%

0-20: Current input 0 to 20mA (20mA full scale)

20-0: Current input 20 to 0mA (0mA full scale)

4-20: Current input 4 to 20mA with current loop loss (cL1) trip (20mA full scale)

20-4: Current input 20 to 4mA with current loop loss (cL1) trip (4mA full scale)

4-.20: Current input 4 to 20mA with no current loop loss (cL1) trip (20mA full scale)

20-.4: Current input 20 to 4mA with no current loop loss (cL1) trip (4mA full scale)

VoLt: 0 to 10V input

T3 +10V reference output	
Maximum output current	5mA

T4 Analogue input 2 (A2), either voltage or digital input	
Voltage: Digital input	0 to +10V / 0 to +24V
Scaling (as voltage input)	Input range automatically scaled to Pr 01 <i>Minimum set speed</i> / Pr 02 <i>Maximum set speed</i>
Resolution	0.1%
Input impedance	100kΩ (voltage) / 6k8 (digital input)
Normal threshold voltage (as digital input)	+10V (positive logic only)

T5	Status relay - Drive healthy (Normally open)	
T6		
Voltage rating	240Vac/30Vdc	
Current rating	2Aac 240V 4Adc 30V resistive load (2A 35Vdc for UL requirements) 0.3Adc 30V inductive load (L/R = 40ms)	
Contact isolation	1.5kVac (over voltage category II)	
Operation of contact	OPEN AC supply removed from drive AC supply applied to drive with drive in tripped condition CLOSED AC supply applied to drive with drive in a 'ready to run' or 'running' condition (not tripped)	



Provide fuse or other over-current protection in status relay circuit.

B1	Analogue voltage output - Motor speed	
Voltage output	0 to +10V	
Scaling	0V represents 0Hz/rpm output +10V represents the value in Pr 02 <i>Maximum set speed</i>	
Maximum output current	5mA	
Resolution	0.1%	

B2	+24V output	
Maximum output current	100mA	

B3	Digital output - Zero speed	
Voltage range	0 to +24V	
Maximum output current	50mA at +24V (current source)	

NOTE The total available current from the digital output plus the +24V output is 100mA.

B4	Digital Input - Enable/Reset**/**	
B5	Digital Input - Run Forward**	
B6	Digital Input - Run Reverse**	
B7	Digital Input - Local/Remote speed reference select (A1/A2)	
Logic	Positive logic only	
Voltage range	0 to +24V	
Nominal threshold voltage	+10V	

If the enable terminal is opened, the drive's output is disabled and the motor will coast to a stop. The drive will not re-enable for 1.0s after the enable terminal is closed again.

*Following a drive trip, opening and closing the enable terminal will reset the drive. If the run forward or run reverse terminal is closed, the drive will run straight away.

**Following a drive trip and a reset via the stop/reset key, the enable, run forward or run reverse terminals will need to be opened and closed to allow the drive to run. This ensures that the drive does not run when the stop/reset key is pressed.

The enable, run forward and run reverse terminals are level triggered apart from after a trip where they become edge triggered. See * and ** above.

If the enable and run forward or enable and run reverse terminals are closed when the drive is powered up, the drive will run straight away up to a set speed.

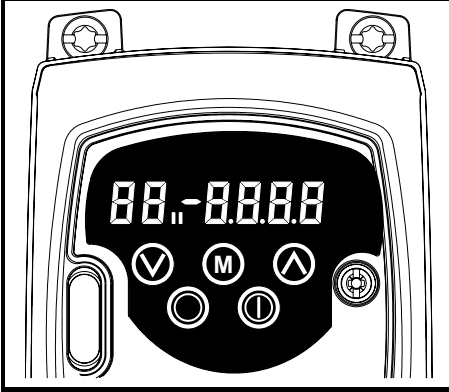
If both the run forward and run reverse terminals are closed, the drive will stop under the control of the ramp and stopping modes set in Pr **30** and Pr **31**.

5 Keypad and Display

The keypad and display are used for the following:

- Displaying the operating status of the drive
- Displaying a fault or trip code
- Reading and changing parameter values
- Stopping, starting and resetting the drive

Figure 5-1 Keypad and display



■ on the display indicates if motor map 1 or 2 is selected.

5.1 Programming keys

The **MODE** key is used to change the mode of operation of the drive.

The **UP** and **DOWN** keys are used to select parameters and edit their values. In keypad mode, they are used to increase and decrease the speed of the motor.

5.2 Control keys

The **START** key is used to start the drive in keypad mode.

The **STOP/RESET** key is used to stop and reset the drive in keypad mode. It can also be used to reset the drive in terminal mode.

NOTE

It is possible to change parameter values more quickly. See Chapter 4 *Keypad and display* in the *Commander SK Advanced User Guide* for details.

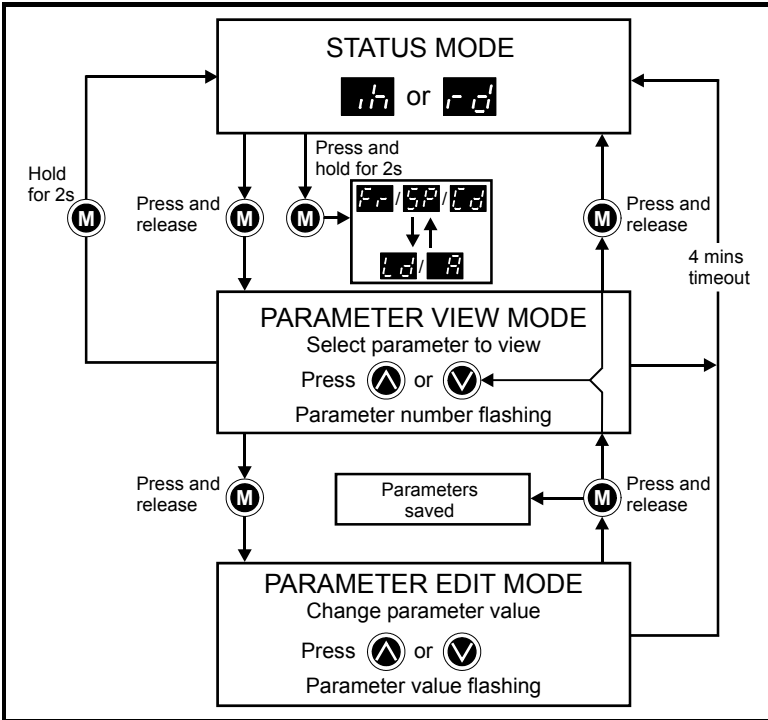
Safety Information
Rating Data
Mechanical Installation
Electrical Installation
Keypad and Display
Parameters
Quick Start Commissioning
Diagnostics
Options
Parameter List
UL Listing Information

5.3 Selecting and changing parameters

NOTE

This procedure is written from the first power up of the drive and assumes no terminals have been connected, no parameters have been changed and no security has been set.

Figure 5-2



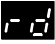

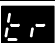


When in Status mode, pressing and holding the (M) MODE key for 2 seconds will change the display from displaying a speed indication to displaying load indication and vice versa.

Pressing and releasing the (M) MODE key will change the display from status mode to parameter view mode. In parameter view mode, the left hand display flashes the parameter number and the right hand display shows the value of that parameter.




Pressing and releasing the (M) MODE key again will change the display from parameter view mode to parameter edit mode. In parameter edit mode, the right hand display flashes the value in the parameter being shown in the left hand display.

Pressing the (M) MODE key in parameter edit mode will return the drive to the parameter view mode. If the (M) MODE key is pressed again then the drive will return to status mode, but if either of the (▲) up or (▼) down keys are pressed to change the parameter being viewed before the (M) MODE key is pressed, pressing the (M) MODE key will change the display to the parameter edit mode again. This allows the user to very easily change between parameter view and edit modes whilst commissioning the drive.


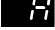
Status Modes

Left hand display	Status	Explanation
	Drive ready	The drive is enabled and ready for a start command. The output bridge is inactive.
	Drive inhibited	The drive is inhibited because there is no enable command, or a coast to stop is in progress or the drive is inhibited during a trip reset.
	Drive has tripped	The drive has tripped. The trip code will be displayed in the right hand display.
	DC injection braking	DC injection braking current is being applied to the motor.
	Mains loss	See the <i>Commander SK Advanced User Guide</i> .

Speed Indications

Display Mnemonic	Explanation
	Drive output frequency in Hz
	Motor speed in rpm
	Machine speed in customer define units

Load indications

Display Mnemonic	Explanation
	Load current as a % of motor rated load current
	Drive output current per phase in A

5.4 Saving parameters

Parameters are automatically saved when the **M** MODE key is pressed when going from parameter edit mode to parameter view mode.

5.5 Parameter access

There are 3 levels of parameter access controlled by Pr 10. This determines which parameters are accessible. See Table 5-1.

The setting of the user security Pr 25 determines whether the parameter access is read only (RO) or read write (RW).

Table 5-1

Parameter access (Pr 10)	Parameters accessible
L1	Pr 01 to Pr 10
L2	Pr 01 to Pr 60
L3	Pr 01 to Pr 95

5.6 Security codes

Setting a security code allows view only access to all parameters.

A security code is locked into the drive when Pr **25** is set to any other value than 0 and then **LoC** is selected in Pr **10**. On pressing the **M** MODE key, Pr **10** is automatically changed from **LoC** to **L1** and Pr **25** will be automatically set to 0 so as not to reveal the security code.

Pr **10** may be changed to L2 or L3 to allow view only access to parameters.

5.6.1 Setting a security code

- Set Pr **10** to L2.
- Set Pr **25** to the desired security code e.g. 5
- Set Pr **10** to LoC.
- Press the **M** MODE key
- Pr **10** will now be reset to L1 and Pr **25** will be reset to 0.
- The security code will now be locked into the drive.
- Security will also be set if the drive is powered down after a security code has been set into Pr **25**.

5.6.2 Unlocking a security code

- Select parameter to be edited
- Press the **M** MODE key, the right hand display will flash 'CodE'
- Press the **▲** UP key to start entering the set security code. The left hand display will show 'Co'
- Enter the correct security code
- Press the **M** MODE key
- If the correct security code has been entered, the right hand display will flash and can now be adjusted.
- If the security code has been entered incorrectly, the left hand display will flash the parameter number. The above procedure should be followed again.

5.6.3 Re-locking security

When a security code has been unlocked and the required parameter changes made, to re-lock the same security code:

- Set Pr **10** to LoC
- Press the **●** STOP/RESET key

5.6.4 Setting security back to 0 (zero) - no security

- Set Pr **10** to L2
- Go to Pr **25**
- Unlock security as described above.
- Set Pr **25** to 0
- Press the **M** MODE key.

NOTE If a security code has been lost or forgotten, please contact your local drive centre or distributor

5.7 Setting drive back to default values

- Set Pr **10** to L2
- Set Pr **29** to Eur and press the **M** MODE key. This loads 50Hz default parameters.
or
- Set Pr **29** to USA and press the **M** MODE key. This loads 60Hz default parameters.

6 Parameters

Parameters are grouped together into appropriate subsets as follows:

Level 1

Pr 01 to Pr 10: Basic drive set-up parameters

Level 2

Pr 11 to Pr 12: Drive operation set-up parameters

Pr 15 to Pr 21: Reference parameters

Pr 22 to Pr 29: Display / keypad configuration

Pr 30 to Pr 33: System configuration

Pr 34 to Pr 36: Drive user I/O configuration

Pr 37 to Pr 42: Motor configuration (non-standard set-up)

Pr 43 to Pr 44: Serial communications configuration

Pr 45: Drive software version

Pr 46 to Pr 51: Mechanical brake configuration

Pr 52 to Pr 54: Fieldbus configuration

Pr 55 to Pr 58: Drive trip log

Pr 59 to Pr 60: PLC ladder programming configuration

Pr 61 to Pr 70: User definable parameter area

Level 3

Pr 71 to Pr 80: User definable parameter set-up

Pr 81 to Pr 95: Drive diagnostics parameters

These parameters can be used to optimise the set-up of the drive for the application.

6.1 Parameter descriptions - Level 1

No	Function	Range	Defaults	Type
01	Minimum set speed	0 to Pr 02 Hz	0.0	RW

Used to set the minimum speed at which the motor will run in both directions.
(0V reference or minimum scale current input represents the value in Pr 01)

No	Function	Range	Defaults	Type
02	Maximum set speed	0 to 1500 Hz	Eur: 50.0, USA: 60.0	RW

Used to set the maximum speed at which the motor will run in both directions.

If Pr 02 is set below Pr 01, Pr 01 will be automatically set to the value of Pr 02. (+10V reference or full scale current input represents the value in Pr 02)

NOTE

The output speed of the drive can exceed the value set in Pr 02 due to slip compensation and current limits.

No	Function	Range	Defaults	Type
03	Acceleration rate	0 to 3200.0 s/100Hz	Eur: 5.0, USA: 33	RW
04	Deceleration rate		Eur: 10.0, USA: 33	

Sets the acceleration and deceleration rate of the motor in both directions in seconds/100Hz.

NOTE

If one of the standard ramp modes is selected (see Pr 30 on page 32), the deceleration rate could be extended automatically by the drive to prevent over voltage (OV) trips if the load inertia is too high for the programmed deceleration rate.

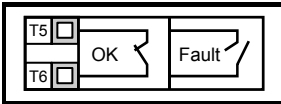
No	Function	Range	Defaults	Type
05	Drive configuration	AI.AV, AV.Pr, AI.Pr, Pr, PAd, E.Pot, tor, Pid, HUAC	Eur: AI.AV, US: PAd	RW

The setting of Pr **05** automatically sets up the drives configuration.

NOTE A change to Pr **05** is set by pressing the **(M)** MODE key on exit from parameter edit mode. The drive must be disabled, stopped or tripped for a change to take place. If Pr **05** is changed while the drive is running, when the **(M)** MODE key is pressed on exit from parameter edit mode, Pr **05** will change back to its previous value.

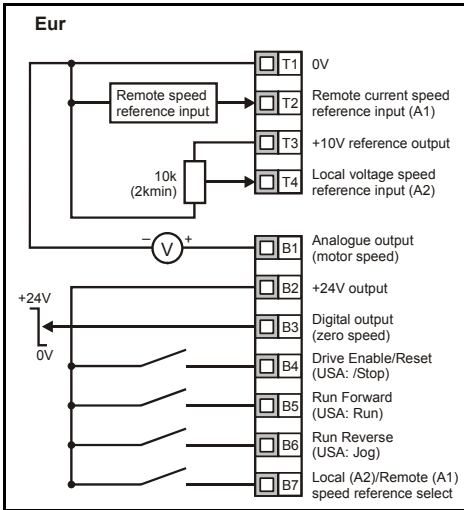
NOTE When the setting of Pr **05** is changed, the appropriate drive configuration parameters are set back to their default values.

In all of the settings below, the status relay is set up as a drive healthy relay:



Configuration	Description
AI.AV	Voltage and current input
AV.Pr	Voltage input and 3 preset speeds
AI.Pr	Current input and 3 preset speeds
Pr	4 preset speeds
PAd	Keypad control
E.Pot	Electronic motorised potentiometer control
tor	Torque control operation
Pid	PID control
HUAC	Fan and pump control

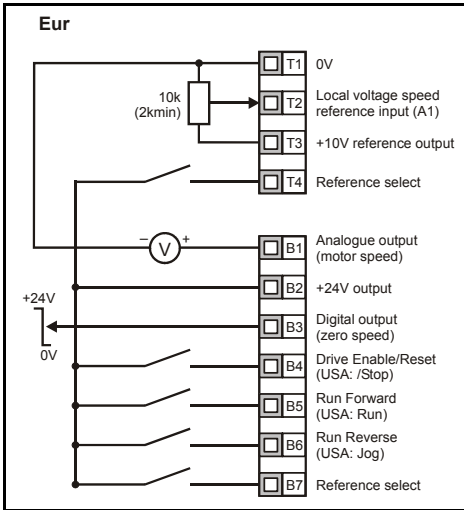
Figure 6-1 Pr 05 = AI.AV



Terminal B7 open: Local voltage speed reference (A2) selected

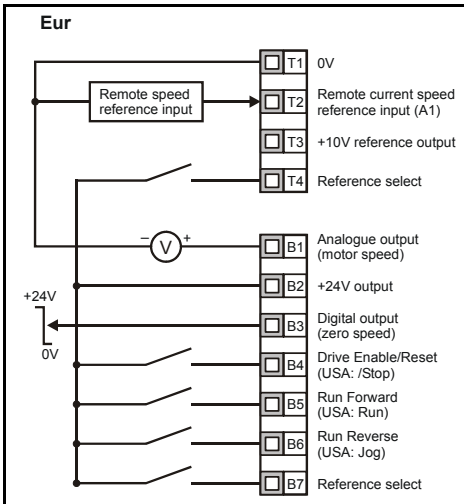
Terminal B7 closed: Remote current speed reference (A1) selected

Figure 6-2 Pr 05 = AV.Pr



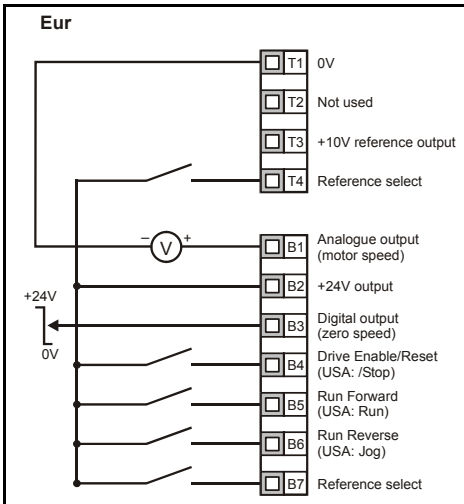
T4	B7	Reference selected
0	0	A1
0	1	Preset 2
1	0	Preset 3
1	1	Preset 4

Figure 6-3 Pr 05 = AI.Pr



T4	B7	Reference selected
0	0	A1
0	1	Preset 2
1	0	Preset 3
1	1	Preset 4

Figure 6-4 Pr 05 = Pr



T4	B7	Reference selected
0	0	Preset 1
0	1	Preset 2
1	0	Preset 3
1	1	Preset 4

Figure 6-5 Pr 05 = PAD

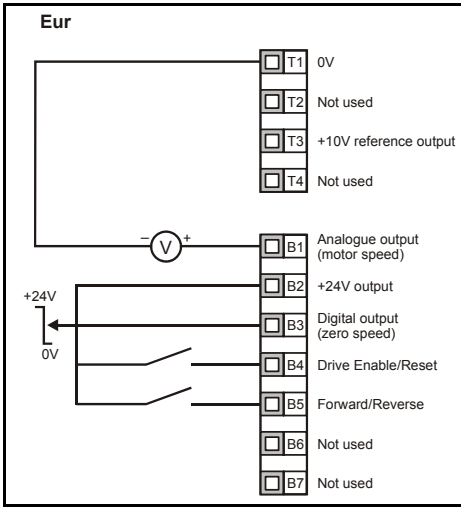
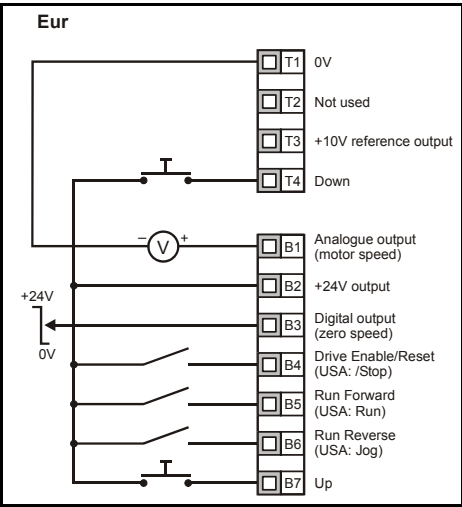


Figure 6-6 Pr 05 = E.Pot



When Pr 05 is set to PAD to implement a forward/reverse switch, see the *Commander SK Advanced User Guide*.

When Pr 05 is set to E.Pot, the following parameters are made available for adjustment:

- Pr 61: Motorised pot up/down rate (s/100%)
- Pr 62: Motorised pot bipolar select (0 = unipolar, 1 = bipolar)
- Pr 63: Motorised pot mode: 0 = zero at power-up, 1 = last value at power-up, 2 = zero at power-up and only change when drive is running, 3 = last value at power-up and only change when drive is running.

Figure 6-7 Pr 05 = tor

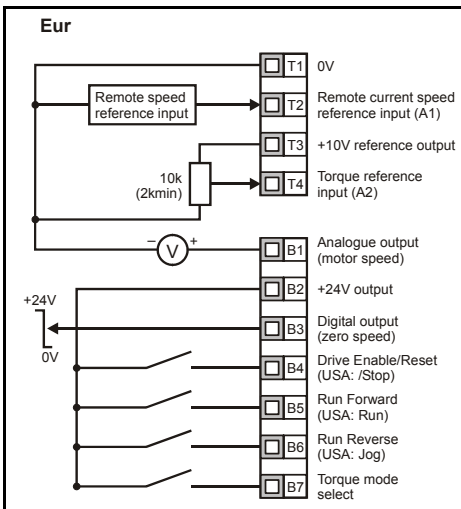
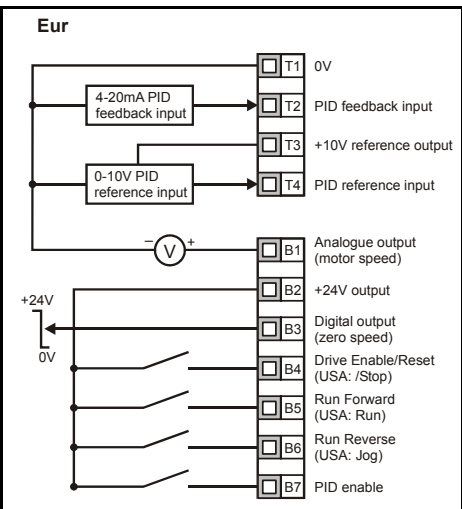


Figure 6-8 Pr 05 = Pid



When torque mode is selected and the drive is connected to an unloaded motor, the motor speed may increase rapidly to the maximum speed (Pr 02 +20%)

When Pr **05** is set to Pid, the following parameters are made available for adjustment:

- Pr **61**: PID proportional gain
- Pr **62**: PID integral gain
- Pr **63**: PID feedback invert
- Pr **64**: PID high limit (%)
- Pr **65**: PID low limit (%)
- Pr **66**: PID output (%)

Figure 6-9 PID logic diagram

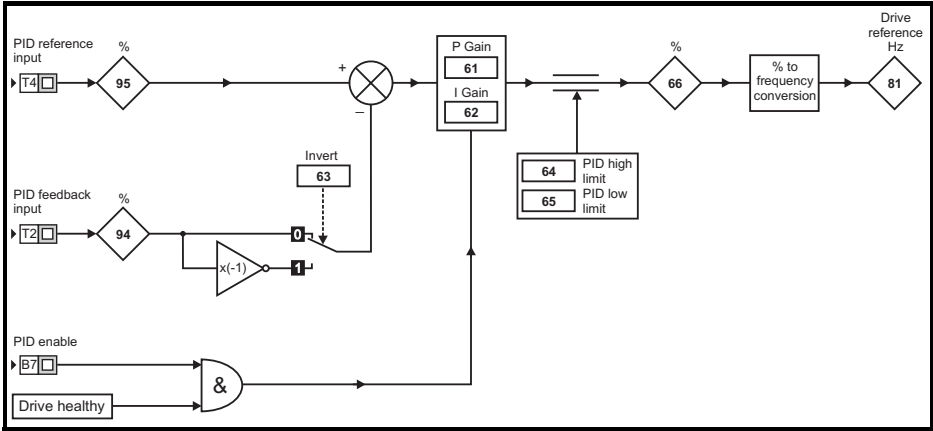
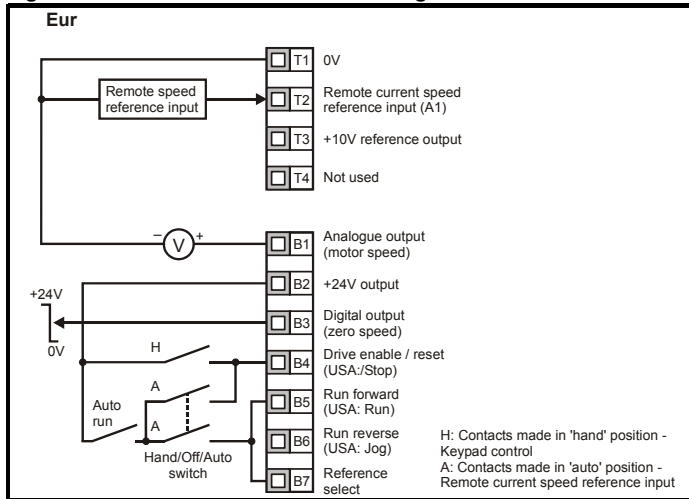


Figure 6-10 Pr 05 = HUAC terminal configuration



No	Function	Range	Defaults	Type
06	Motor rated current	0 to Drive rated current A	Drive rating	RW

Enter the motor current rating (taken from the motor name plate).

The drive rated current is the 100% RMS output current value of the drive. This value can be set to a lower value but not to a higher value than the drive rated current.



Pr **06** *Motor rated current* must be set correctly to avoid a risk of fire in the event of a motor overload.

No	Function	Range	Defaults	Type
07	Motor rated speed	0 to 9999 rpm	Eur: 1500, USA: 1800	RW

Enter the rated full load speed of the motor (taken from the motor name plate).

The motor rated speed is used to calculate the correct slip speed for the motor.

NOTE A value of zero entered into Pr **07** means slip compensation is disabled.

NOTE If the full load speed of the motor is above 9999rpm, enter a value of 0 in Pr **07**. This will disable slip compensation as values >9999 cannot be entered into this parameter.

NOTE Slip compensation should be disabled when using the drive on a high inertia load.

No	Function	Range	Defaults	Type
08	Motor rated voltage	0 to 240, 0 to 480 V	Eur: 230 / 400 USA: 230 / 460	RW

Enter the motor rated voltage (taken from the motor name plate).

This is the voltage applied to the motor at base frequency.

NOTE If the motor is not a standard 50 or 60Hz motor, see Pr **39** on page 34 and adjust accordingly.

No	Function	Range	Defaults	Type
09	Motor power factor	0 to 1	0.85	RW

Enter the motor rated power factor $\cos \varphi$ (taken from the motor name plate).

NOTE The power factor value could be automatically changed after a rotating autotune. See Pr **38** on page 34.

No	Function	Range	Defaults	Type
10	Parameter access	L1, L2, L3, LoC	L1	RW

L1: Level 1 access - only the first 10 parameters can be accessed

L2: Level 2 access - All parameters from 01 to 60 can be accessed

L3: Level 3 access - All parameters from 01 to 95 can be accessed

LoC: Used to lock a security code in the drive. See section 5.6 *Security codes* on page 22 for further details.

6.2 Parameter descriptions - Level 2

No	Function	Range	Defaults	Type
11	Start/Stop logic select	0 to 6	Eur: 0, USA: 4	RW

Pr 11	Terminal B4	Terminal B5	Terminal B6	Latching
0	Enable	Run Forward	Run Reverse	No
1	/Stop	Run Forward	Run Reverse	Yes
2	Enable	Run	Forward / Reverse	No
3	/Stop	Run	Forward / Reverse	Yes
4	/Stop	Run	Jog	Yes
5	User programmable	Run Forward	Run Reverse	No
6	User Programmable	User Programmable	User Programmable	User Programmable

NOTE A change to Pr 11 is set by pressing the **(M)** MODE key on exit from parameter edit mode. The drive must be disabled, stopped or tripped for a change to take place. If Pr 11 is changed while the drive is running, when the **(M)** MODE key is pressed on exit from parameter edit mode, Pr 11 will change back to its previous value.

No	Function	Range	Defaults	Type
12	Brake controller enable	diS, rEL, d IO, USEr	diS	RW

diS: Mechanical brake software disabled


rEL: Mechanical brake software enabled. Brake control via relay T5 & T6. The digital output on terminal B3 is automatically programmed as a drive healthy output.

d IO: Mechanical brake software enabled. Brake control via digital output B3. The relay outputs on terminals T5 and T6 are automatically programmed as a drive healthy output.

USER: Mechanical brake software enabled. Brake control to be programmed by user. The relay and digital output are not programmed. The user should programme the brake control to either the digital output or relay. The output not programmed to the brake control can be programmed to indicate the required signal. (See *Commander SK Advanced User Guide*.)

NOTE A change to Pr 12 is set by pressing the **(M)** MODE key on exit from parameter edit mode. The drive must be disabled, stopped or tripped for a change to take place. If Pr 12 is changed while the drive is running, when the **(M)** MODE key is pressed on exit from parameter edit mode, Pr 12 will change back to its previous value.

See Pr 46 to Pr 51 on page 35.

 WARNING	Great care should be taken when implementing a brake control set-up, as this may cause a safety issue depending on the application, e.g. crane. If in doubt, contact the supplier of the drive for further information.
---	---

No	Function	Range	Defaults	Type
13	Not used			
14				

No	Function	Range	Defaults	Type
15	Jog reference	0 to 400.0 Hz	1.5	RW

Defines the jog speed

No	Function	Range	Defaults	Type
16	Analogue input 1 mode	0-20, 20-0, 4-20, 20-4, 4-.20, 20-.4, VoLt	4-.20	RW

Determines the input on terminal T2

0-20: Current input 0 to 20mA (20mA full scale)

20-0: Current input 20 to 0mA (0mA full scale)

4-20: Current input 4 to 20mA with current loop loss (cL1) trip (20mA full scale)

20-4: Current input 20 to 4mA with current loop loss (cL1) trip (4mA full scale)

4-.20: Current input 4 to 20mA with no current loop loss (cL1) trip (20mA full scale)

20-.4: Current input 20 to 4mA with no current loop loss (cL1) trip (4mA full scale)

VoLt: 0 to 10V input

NOTE In the 4-20 or 20-4mA modes (with current loop loss) the drive will trip on cL1 if the input reference is below 3mA. Also, if the drive trips on cL1, the voltage analogue input cannot be selected.

NOTE If both analogue inputs (A1 and A2) are to be set-up as voltage inputs, and if the potentiometers are supplied from the drive's +10V rail (terminal T3), they must have a resistance >4k Ω each.

No	Function	Range	Defaults	Type
17	Enable negative preset speeds	OFF or On	OFF	RW

OFF: Direction of rotation controlled by run forward and run reverse terminals

On: Direction of rotation controlled by preset speed values (use run forward terminal)

No	Function	Range	Defaults	Type
18	Preset speed 1	±1500 Hz (Limited by setting of Pr 02 <i>Maximum set speed</i>)	0.0	RW
19	Preset speed 2			
20	Preset speed 3			
21	Preset speed 4			

Defines preset speeds 1 to 4.

No	Function	Range	Defaults	Type
22	Load display units	Ld, A	Ld	RW

Ld: Active current as a % of motor rated active current

A: Drive output current per phase in A

No	Function	Range	Defaults	Type
23	Speed display units	Fr, SP, Cd	Fr	RW

Fr: Drive output frequency in Hz

SP: Motor speed in rpm

Cd: Machine speed in customer defined units (See Pr 24).

No	Function	Range	Defaults	Type
24	Customer defined scaling	0 to 9.999	1.000	RW

Multiplying factor on motor speed (rpm) to give customer defined units.

No	Function	Range	Defaults	Type
25	User security code	0 to 999	0	RW

Used to set-up a user security code. See section 5.6 *Security codes* on page 22.

No	Function	Range	Defaults	Type
26	Not used			

No	Function	Range	Defaults	Type
27	Power up keypad reference	0, LAST, PrS1	0	RW

0: keypad reference is zero

LAST: keypad reference is last value selected before the drive was powered down

PrS1: keypad reference is copied from preset speed 1

No	Function	Range	Defaults	Type
28	Parameter cloning	no, rEAd, Prog, boot	no	RW

no: no action

rEAd: program the drive with the contents of the SmartStick

Prog: program the SmartStick with the current drive settings

boot: SmartStick becomes read only. The contents of the SmartStick will be copied to the drive every time the drive is powered up.

NOTE Before setting boot mode, the current drive settings must be stored in the SmartStick by using Prog mode, otherwise the drive will trip on C.Acc at power-up.

Parameter cloning is initiated by pressing the **M** MODE key on exit from parameter edit mode after Pr **28** has been set to rEAd, Prog or boot.

NOTE If parameter cloning is enabled when no SmartStick is fitted to the drive, the drive will trip on C.Acc.

NOTE The SmartStick can be used to copy parameters between drives of different ratings. Certain drive dependant parameters will be stored on the SmartStick but will not be copied to the cloned drive.

The drive will trip on C.rtg when being written to by a cloned parameter set of a different drive rating.

The drive dependant parameters are: Pr **06** Motor rated current, Pr **08** Motor rated voltage, Pr **09** Motor power factor and Pr **37** Maximum switching frequency.

NOTE Before the SmartStick /LogicStick is written to using Prog, the SmartStick/LogicStick will need to be inserted into the drive at power up or a reset command performed when the drive has been powered up, otherwise will trip on C.dAt when Prog command executed.

NOTE For best motor performance, an autotune should be carried out after parameter cloning has taken place.

NOTE When cloning between drives of different ratings, bit parameters will not be cloned.

No	Function	Range	Defaults	Type
29	Load defaults	no, Eur, USA	no	RW

no: defaults are not loaded

Eur: 50Hz default parameters are loaded

USA: 60Hz default parameters are loaded

Default parameters are set by pressing the **M** MODE key on exit from parameter edit mode after Pr **29** has been set to Eur or USA.

When default parameters have been set, the display will return to Pr **01** and Pr **10** will be reset to L1.

NOTE

The drive must be in a disabled, stopped or tripped condition to allow default parameters to be set. If default parameters are set while the drive is running, the display will flash FAIL once before changing back to no.

No	Function	Range	Defaults	Type
30	Ramp mode select	0 to 3	1	RW

- 0: Fast ramp selected
- 1: Standard ramp with normal motor voltage selected
- 2: Standard ramp with high motor voltage selected
- 3: Fast ramp with high motor voltage selected

Fast ramp is linear deceleration at programmed rate, normally used when a braking resistor is fitted.

Standard ramp is controlled deceleration to prevent DC bus over-voltage trips, normally used when there is no braking resistor fitted.

If a high motor voltage mode is selected, deceleration rates can be faster for a given inertia but motor temperatures will be higher.

No	Function	Range	Defaults	Type
31	Stop mode select	0 to 4	1	RW

- 0: Coast to stop selected
- 1: Ramp to stop selected
- 2: Ramp to stop with 1 second DC injection braking
- 3: DC injection braking with detection of zero speed
- 4: Timed DC injection braking

See the *Commander SK Advanced User Guide*.

No	Function	Range	Defaults	Type
32	Dynamic V to f select	OFF or On	OFF	RW

OFF: Fixed linear voltage to frequency ratio (constant torque - standard load)

On: Voltage to frequency ratio dependant on load current (dynamic/variable torque/ load). This gives a higher motor efficiency.

No	Function	Range	Defaults	Type
33	Catch a spinning motor select	0 to 3	0	RW

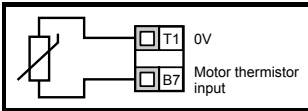
- 0: Disabled
- 1: Detect positive and negative frequencies
- 2: Detect positive frequencies only
- 3: Detect negative frequencies only

If the drive is to be configured in fixed boost mode (Pr 41 = Fd or SrE) with catch a spinning motor software enabled, an autotune (see Pr 38 on page 34) must be carried out to measure the motor's stator resistance beforehand. If a stator resistance is not measured, the drive may trip on OV or OI.AC while trying to catch a spinning motor.

No	Function	Range	Defaults	Type
34	Terminal B7 mode select	dig, th, Fr, Fr.hr	dig	RW

- dig:** Digital input
- th:** Motor thermistor input, connect as per diagram below
- Fr:** Frequency input. See *Commander SK Advanced User Guide*.
- Fr.hr:** High resolution frequency input. See *Commander SK Advanced User Guide*.

Figure 6-11



Trip resistance: 3kΩ

Reset resistance: 1kΩ

NOTE

If Pr 34 is set to th so that terminal B7 is used as a motor thermistor, the functionality of terminal B7 as set-up with Pr 05, drive configuration, will be disabled. When setting to th, press mode four times. Analogue reference 2 will no longer be selected as the speed reference.

No	Function	Range	Defaults	Type
35	Digital output control (terminal B3)	n=0, At.SP, Lo.SP, hEAL, Act, ALAR, I.Lt, At.Ld, USER	n=0	RW

- n=0:** At zero speed
- At.SP:** At speed
- Lo.SP:** At minimum speed
- hEAL:** Drive healthy
- Act:** Drive active
- ALAR:** General drive alarm
- I.Lt:** Current limit active
- At.Ld:** At 100% load
- USER:** User programmable

NOTE

This parameter is automatically changed by the setting of Pr 12. When Pr 12 automatically controls the setting of this parameter, this parameter cannot be changed.

NOTE

A change to Pr 35 is set by pressing the **(M)** MODE key on exit from parameter edit mode. See the *Commander SK Advanced User Guide*.

No	Function	Range	Defaults	Type
36	Analogue output control (terminal B1)	Fr, Ld, A, Por, USER	Fr	RW

- Fr:** Voltage proportional to motor speed
- Ld:** Voltage proportional to motor load
- A:** Voltage proportional to output current
- Por:** Voltage proportional to output power
- USER:** User programmable

NOTE

A change to Pr 36 is set by pressing the **(M)** MODE key on exit from parameter edit mode. See the *Commander SK Advanced User Guide*.

No	Function	Range	Defaults	Type
37	Maximum switching frequency	3, 6, 12, 18 kHz	3	RW

- 3:** 3kHz
- 6:** 6kHz
- 12:** 12kHz
- 18:** 18kHz

See the *Commander SK Technical Data Guide* for drive derating data.

NOTE

18kHz is not available on Commander SK size B, C and D 400V units and size D 200V units.

No	Function	Range	Defaults	Type
38	Autotune	0 to 2	0	RW

- 0: No autotune
- 1: Non-rotating static autotune
- 2: Rotating autotune



When a rotating autotune is selected, the drive will accelerate the motor up to $2/3$ maximum speed in Pr **02**.

NOTE The motor must be at a standstill before a non-rotating autotune is initiated.

NOTE The motor must be at a standstill and unloaded before a rotating autotune is initiated.

NOTE Once a rotating autotune has been initiated (Pr **38** = 2), it must be completed before the drive will operate normally. If the rotating autotune is not completed (through the drive being disabled or a trip occurring), the drive will only run at the autotune speed ($2/3$ rated speed reference).

No	Function	Range	Defaults	Type
39	Motor rated frequency	0.0 to 1500.0 Hz	Eur: 50.0, USA: 60.0	RW

Enter the motor rated frequency (taken from the motor name plate).

Defines the voltage to frequency ratio applied to the motor.

No	Function	Range	Defaults	Type
40	Number of motor poles	Auto, 2P, 4P, 6P, 8P	Auto	RW

Auto: Automatically calculates the number of motor poles from the settings of Pr **07** and Pr **39**

2P: Set for a 2 pole motor

4P: Set for a 4 pole motor

6P: Set for a 6 pole motor

8P: Set for an 8 pole motor

No	Function	Range	Defaults	Type
41	Voltage mode select	Ur S, Ur, Fd, Ur A, Ur I, SrE	Eur: Ur I, US: Fd	RW

Ur S: Stator resistance is measured each time the drive is enabled and run

Ur: No measurement is taken

Fd: Fixed boost

Ur A: Stator resistance is measured the first time the drive is enabled and run

Ur I: Stator resistance measured at each power-up when the drive is enabled and run

SrE: Square law characteristic

In all Ur modes, the drive operates in open loop vector mode.

NOTE The drive default setting is Ur I mode which means that the drive will carry out an autotune every time the drive is powered-up and enabled. If the load is not going to be stationary when the drive is powered-up and enabled, then one of the other modes should be selected. Not selecting another mode could result in poor motor performance or OI.AC, It.AC or OV trips.

No	Function	Range	Defaults	Type
42	Low frequency voltage boost	0.0 to 50.0 %	Eur: 3.0, US: 1.0	RW

Determines the boost level when Pr 41 is set to Fd or SrE.

No	Function	Range	Defaults	Type
43	Serial communications baud rate	2.4, 4.8, 9.6, 19.2, 38.4	19.2	RW

2.4: 2400 baud
4.8: 4800 baud
9.6: 9600 baud
19.2: 19200 baud
38.4: 38400 baud

No	Function	Range	Defaults	Type
44	Serial comms address	0 to 247	1	RW

Defines the unique address for the drive for the serial interface.

No	Function	Range	Defaults	Type
45	Software version	1.00 to 99.99		RO

Indicates the version of software fitted to the drive.

Pr 46 to Pr 51 appear when Pr 12 is set to control a motor brake.

No	Function	Range	Defaults	Type
46	Brake release current threshold	0 to 200 %	50	RW
47	Brake apply current threshold		10	

Defines the brake release and brake apply current thresholds as a % of motor current.
 If the frequency is >Pr 48 and the current is >Pr 46, the brake release sequence is started.
 If the current is <Pr 47, the brake is applied immediately.

No	Function	Range	Defaults	Type
48	Brake release frequency	0.0 to 20.0 Hz	1.0	RW
49	Brake apply frequency		2.0	

Defines the brake release and brake apply frequencies.
 If the current is >Pr 46 and the frequency is > Pr 48, the brake release sequence is started.
 If the frequency is <Pr 49 and the drive has been commanded to stop, the brake is applied immediately.

No	Function	Range	Defaults	Type
50	Pre-brake release delay	0.0 to 25.0 s	1.0	RW

Defines the time between the frequency and load condition being met and the brake being released. The ramp is held during this time.

No	Function	Range	Defaults	Type
51	Post brake release delay	0.0 to 25.0 s	1.0	RW

Defines the time between the brake being released and the ramp hold being released.

Figure 6-12 Brake function diagram

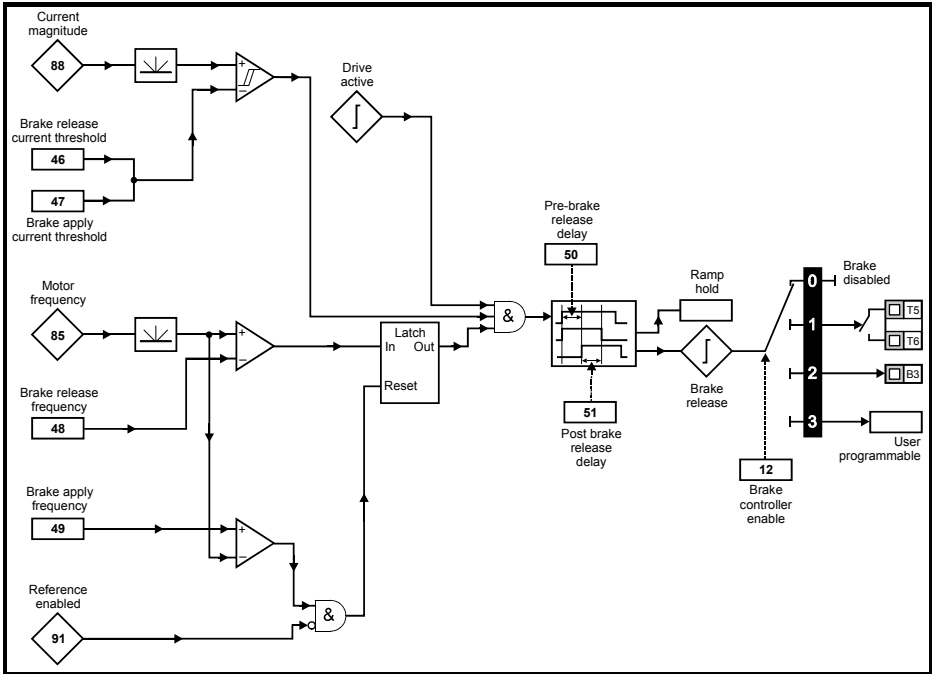
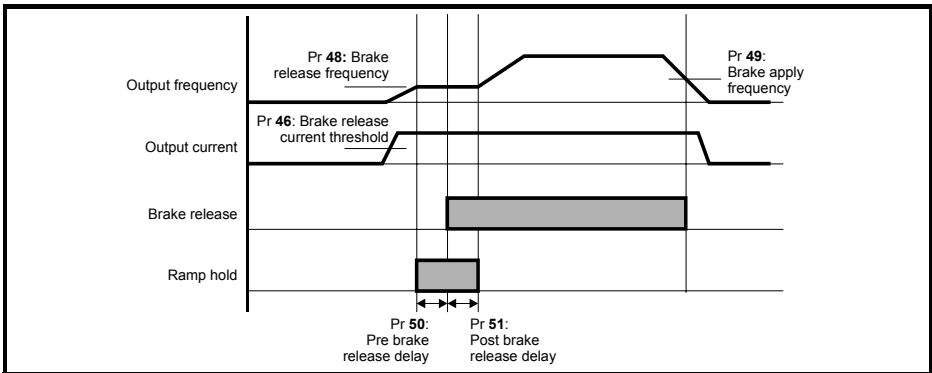


Figure 6-13 Brake sequence



Pr 52 to Pr 54 appear when a fieldbus Solutions Module is fitted to the drive.

No	Function	Range	Defaults	Type
52	Fieldbus node address	0 to 255	0	RW

No	Function	Range	Defaults	Type
53	Fieldbus baud rate	0 to 8	0	RW

No	Function	Range	Defaults	Type
54	Fieldbus diagnostics	-128 to +127	0	RW

See the appropriate fieldbus Solutions Module manual for further information.

No	Function	Range	Defaults	Type
55	Last trip		0	RO
56	Trip before Pr 55			
57	Trip before Pr 56			
58	Trip before Pr 57			

Indicates the last 4 trips of the drive.

No	Function	Range	Defaults	Type
59	PLC ladder program enable	0 to 2	0	RW

The PLC ladder program enable is used to start and stop the PLC ladder program.

- 0: Stop the PLC ladder program
- 1: Run the PLC ladder program (trip drive if LogicStick is not fitted). Any out-of-range parameter writes attempted will be limited to the maximum/minimum values valid for that parameter before being written to.
- 2: Run the PLC ladder program (trip drive if LogicStick is not fitted). Any out-of-range parameter writes attempted will cause the drive to trip.

See the *Commander SK Advanced User Guide* for details on PLC ladder programming.

No	Function	Range	Defaults	Type
60	PLC ladder program status	-128 to +127		RO

The PLC ladder program status parameter indicates the actual state of the PLC ladder program.


- n: PLC ladder program caused a drive trip due to an error condition while running rung n. Note that the rung number is shown on the display as a negative number.
- 0: LogicStick is fitted with no PLC ladder program
- 1: LogicStick is fitted, PLC ladder program is installed but stopped
- 2: LogicStick is fitted, PLC ladder program is installed and running
- 3: LogicStick is not fitted

No	Function	Range	Defaults	Type
61 to 70	Configurable parameter 1 to configurable parameter 10	As source		

Pr 61 to Pr 70 and Pr 71 to Pr 80 can be used to access and adjust advanced parameters.

Example: It is desired that Pr 1.29 (*Skip frequency 1*) is to be adjusted. Set one of the parameters Pr 71 to Pr 80 to 1.29, the value of Pr 1.29 will appear in the corresponding parameter from Pr 61 to Pr 70. I.e. if Pr 71 is set to 1.29, Pr 61 will contain the value of Pr 1.29 where it can be adjusted.

NOTE

Some parameters are only implemented if the drive is disabled, stopped or tripped and the  STOP/RESET key is pressed for 1s.

See *Commander SK Advanced User Guide* for advanced parameter details.

6.3 Parameter descriptions - Level 3

No	Function	Range	Defaults	Type
71 to 80	Pr 61 to Pr 70 set up	0 to Pr 21.51		RW

Set Pr **71** to Pr **80** to the required advanced parameter number to be accessed.

The value within these parameters will be displayed in Pr **61** to Pr **70**. Pr **61** to Pr **70** can then be adjusted to change the value within a parameter.

See *Commander SK Advanced User Guide* for further details.

6.4 Diagnostic parameters

The following read only (RO) parameters can be used as an aid to fault diagnosis on the drive. See Figure 8-1 *Diagnostics logic diagram* on page 44.

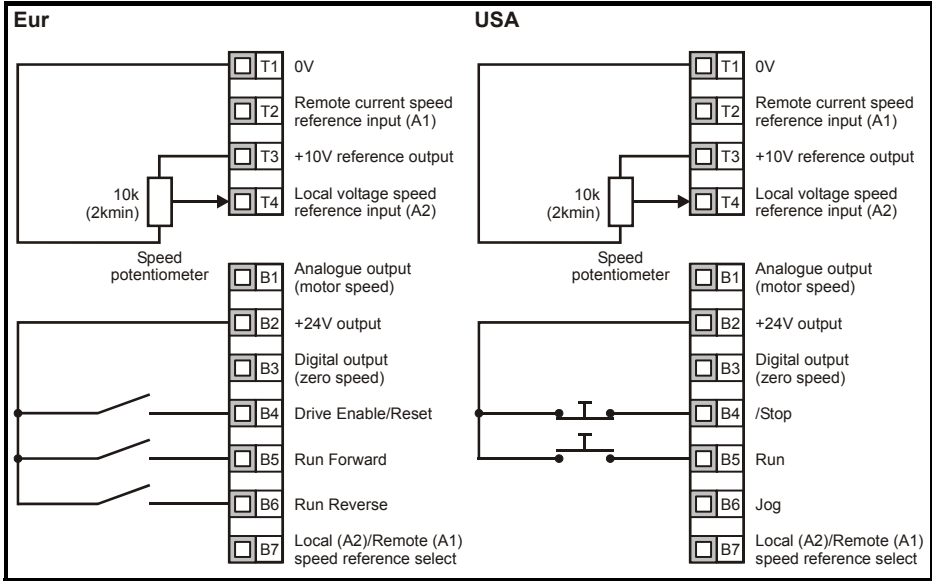
No	Function	Range	Type
81	Frequency reference selected	±Pr 02 Hz	RO
82	Pre-ramp reference	±Pr 02 Hz	RO
83	Post-ramp reference	±Pr 02 Hz	RO
84	DC bus voltage	0 to Drive maximum VDC	RO
85	Motor frequency	±Pr 02 Hz	RO
86	Motor voltage	0 to Drive rating V	RO
87	Motor speed	±9999 rpm	RO
88	Motor current	+Drive maximum A	RO
89	Motor active current	±Drive maximum A	RO
90	Digital I/O read word	0 to 95	RO
91	Reference enabled indicator	OFF or On	RO
92	Reverse selected indicator	OFF or On	RO
93	Jog selected indicator	OFF or On	RO
94	Analogue input 1 level	0 to 100 %	RO
95	Analogue input 2 level	0 to 100 %	RO

7 Quick Start Commissioning

This procedure is written from default parameter settings as the drive would be delivered from the factory.

7.1 Terminal control

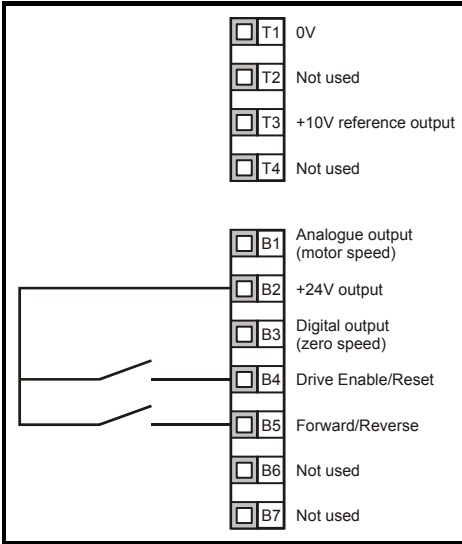
Figure 7-1 Minimum required control terminal connections



7.2

Keypad control

Figure 7-2 Minimum required control terminal connections



NOTE To implement a Forward/Reverse switch, see the *Commander SK Advanced User Guide*.

Action	Detail	
Before power up	Ensure: <ul style="list-style-type: none"> The drive enable signal is not given, terminal B4 is open The motor is connected to the drive The motor connection is correct for the drive Δ or Y The correct supply voltage is connected to the drive 	
Power up the drive	Ensure: <ul style="list-style-type: none"> The drive displays: h 0.0 	
Enter minimum and maximum speeds	Enter: <ul style="list-style-type: none"> Minimum speed Pr 01 (Hz) Maximum speed Pr 02 (Hz) 	
Enter acceleration and deceleration rates	Enter: <ul style="list-style-type: none"> Acceleration rate Pr 03 (s/100Hz) Deceleration rate Pr 04 (s/100Hz) 	
Set keypad control	Enter: <ul style="list-style-type: none"> PAd into Pr 05 	
Enter motor nameplate details	Enter: <ul style="list-style-type: none"> Motor rated current in Pr 06 (A) Motor rated speed in Pr 07 (rpm) Motor rated voltage in Pr 08 (V) Motor rated power factor in Pr 09 If the motor is not a standard 50/60Hz motor, set Pr 39 accordingly 	
Ready to autotune		
Enable and run the drive	Close: <ul style="list-style-type: none"> The enable signal Press the START key 	
Autotune	The Commander SK will carry out a non-rotating autotune on the motor. The motor must be stationary to carry out an autotune correctly. The drive will carry out a non-rotating autotune every time it is first started after each power-up. If this will cause a problem for the application, set Pr 41 to the required value.	
Autotune complete	When the autotune has been completed, the display will show: Fr 0.0	
Ready to run		
Run	The drive is now ready to run the motor.	
Increasing and decreasing speed	Press the UP key to increase the speed Press the DOWN key to decrease the speed	
Stopping	Press the STOP/RESET key to stop the motor	


8 Diagnostics



Do not attempt to carry out internal repairs. Return a faulty drive to the supplier for repair.

Trip code	Condition	Possible cause
UV	DC bus under voltage	Low AC supply voltage Low DC bus voltage when supplied by an external DC power supply
OV	DC bus over voltage	Deceleration rate set too fast for the inertia of the machine Mechanical load driving the motor
OI.AC**	Drive output instantaneous over current	Insufficient ramp times Phase to phase or phase to ground short circuit on the drives output Drive requires autotuning to the motor Motor or motor connections changed, re-autotune drive to motor
OI.br**	Braking resistor instantaneous over current	Excessive braking current in braking resistor Braking resistor value too small
O.SPd	Over speed	Excessive motor speed (typically caused by mechanical load driving the motor)
tunE	Auto tune stopped before completion	Run command removed before autotune complete
It.br	I^2t on braking resistor	Excessive braking resistor energy
It.AC	I^2t on drive output current	Excessive mechanical load High impedance phase to phase or phase to ground short circuit at drive output Drive requires re-autotuning to motor
O.ht1	IGBT over heat based on drives thermal model	Overheat software thermal model
O.ht2	Over heat based on drives heatsink	Heatsink temperature exceeds allowable maximum
th	Motor thermistor trip	Excessive motor temperature
O.Ld1*	User +24V or digital output overload	Excessive load or short circuit on +24V output
O.ht3	Drive over-heat based on thermal model	Overheat software thermal model
cL1	Analogue input 1 current mode, current loss	Input current less than 3mA when 4-20 or 20-4mA modes selected
SCL	Serial communications loss time-out	Loss of communication when drive is under remote control
EEF	Internal drive EEPROM trip	Possible loss of parameter values (set default parameters (see Pr 29 on page 31))
PH	Input phase imbalance or input phase loss	One of the input phases has become disconnected from the drive (applies to 200/400V three phase drives only, not dual rated drives)
rS	Failure to measure motors stator resistance	Motor too small for drive Motor cable disconnected during measurement
CL.bt	Trip initiated from the control word	Control word has initiated a trip
O.ht4	Power module rectifier over temperature	Power module rectifier temperature exceeds allowable maximum
C.Err	SmartStick data error	Bad connection or memory corrupt within SmartStick
C.dAt	SmartStick data does not exist	New/empty SmartStick being read
C.Acc	SmartStick read/write fail	Bad connection or faulty SmartStick
C.rtg	SmartStick/drive rating change	Already programmed SmartStick read by a drive of a different rating
O.cL	Overload on current loop input	Input current exceeds 25mA
HFxx trip	Hardware faults	Internal drive hardware fault (see <i>Commander SK Advanced User Guide</i>)

Safety Information
Rating Data
Mechanical Installation
Electrical Installation
Keypad and Display
Parameters
Quick Start Commissioning
Diagnostics
Options
Parameter List
UL Listing Information

* The Enable/Reset terminal will not reset an O.Ld1 trip. Use the  Stop/Reset key.

** These trips cannot be reset for 10 seconds after they occur.

See the *Commander SK Advanced User Guide* for further information on possible causes of drive trips.

Table 8-1 DC bus voltages

Drive voltage rating	UV Trip	UV Reset	Braking level	OV trip
110V	175	215 *	390	415
200V	175	215 *	390	415
400V	330	425 *	780	830

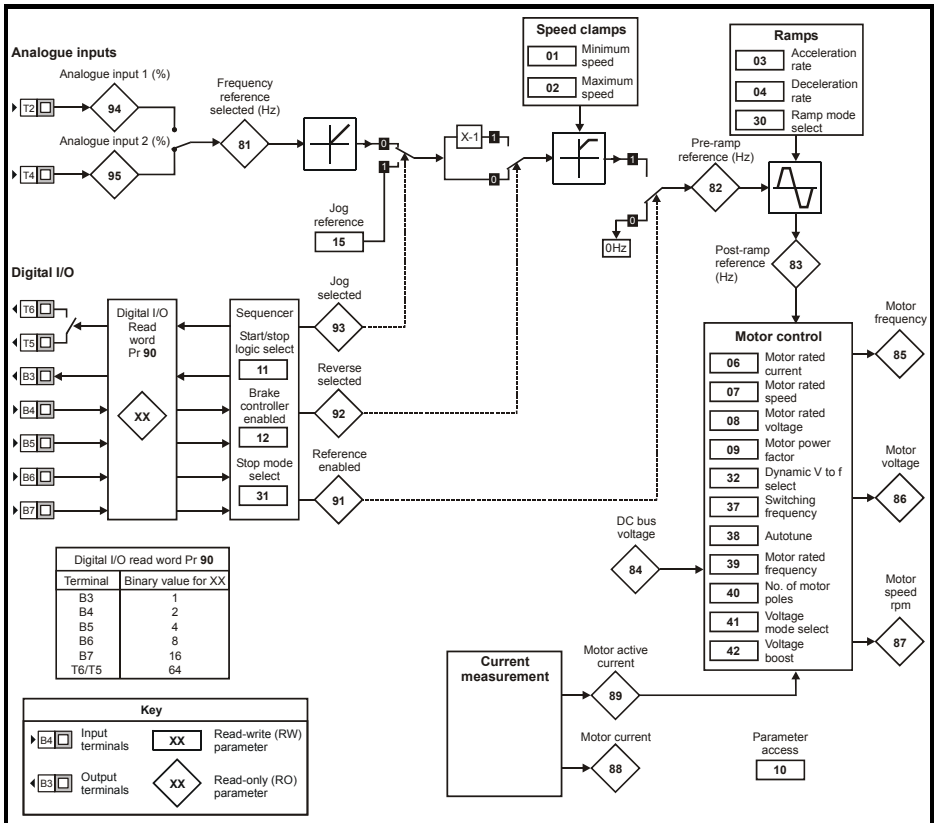
NOTE * These are the absolute minimum DC voltages the drives can be supplied by.

Table 8-2 Alarm warnings/Display indications

Display	Condition	Solution
OVL.d	l x t overload (l = current, t = time)	Reduce motor current (Load)
hot	Heatsink/IGBT temperature high	Reduce ambient temperature or reduce motor current
br.rS	Braking resistor overload	See <i>Commander SK Advanced User Guide</i>
AC.Lt	Drive is in current limit	See <i>Commander SK Advanced User Guide</i>

NOTE If no action is taken when an alarm warning appears, the drive will trip on the appropriate fault code.

Figure 8-1 Diagnostics logic diagram









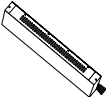
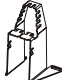

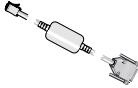

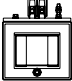
Cooling fan control (size B, C and D only)



As default, the drive's cooling fan is controlled by the drive. The fan will remain off until the heatsink temperature reaches 60°C or the output current rises above 75% of the drive rating. The fan will then switch on and run at full speed for a minimum of 20s.

For further details, see the *Commander SK Advanced User Guide*.

Safety Information
Rating Data
Mechanical Installation
Electrical Installation
Keypad and Display
Parameters
Quick Start Commissioning
Diagnostics
Options
Parameter List
UL Listing Information

9 Options

Option name	Function	Picture
SmartStick	Upload drive parameters to the SmartStick for storage or for easy set-up of identical drives or downloading to replacement drives	
LogicStick	The LogicStick plugs into the front of the drive and enables the user to program PLC functions within the drive The LogicStick can also be used as a SmartStick	
LogicStick Guard	The LogicStick guard protects the Logicstick when fitted to a drive	
SM-I/O Lite*	Additional input/output module without real time clock	
SM-I/O Timer*	Additional input/output module with real time clock	
SM-I/O 120V*	Additional input/output module	
SM-I/O PELV	Isolated input/output to NAMUR NE37 specifications (for chemical industry applications)	
SM-I/O 24V Protected	Additional input/output module with overvoltage protection up to 48V. 2 x analogue outputs, 4 x digital inputs/outputs, 3 x digital inputs, 1 x relay output	
SM-PROFIBUS-DP*	Fieldbus communications modules	
SM-DeviceNet*		
SM-CANopen*		
SM-INTERBUS*		
SM-Ethernet*		
SM-Keypad Plus	Remote panel mounting LCD multilingual text keypad display to IP54 (NEMA 12) with additional help key	
SK-Keypad Remote	Remote panel mounting LED display to IP65 (NEMA 12) with additional function key	
EMC filters	These additional filters are designed to operate together with the drive's own integral EMC filter in areas of sensitive equipment	
SK-Bracket	Cable management bracket	
Cover kit	The additional top cover kit will increase the environmental protection of the top face to IP4X in vertical direction.	
CT comms cable	Cable with isolation RS232 to RS485 converter. For connecting PC/Laptop to the drive when using CTSOft or SyPTLite	
CT USB comms cable	Cable with isolation RS232 to RS485 converter. For connecting PC/Laptop to the drive when using CTSOft or SyPTLite	
AC input line reactors	To reduce supply harmonics	

CTSoft	Software for PC or Laptop which allows the user to commission and store parameter settings	
SyPTLite	Software for PC or Laptop which allows the user to program PLC functions within the drive	
UL type 1 kit	Bottom metal gland plate, top cover and side covers to allow the drive to comply with the requirements of UL type 1	

* Only applicable to sizes B, C and D
 Details of all the above options can be found at www.controltechniques.com.

9.1 Documentation

As well as the *Commander SK Getting Started Guide*, a number of other guides are available for Commander SK:

Commander SK Technical Data Guide

This gives all the technical data for the drive, such as:

- Fuse sizes
- Cable sizes
- Braking resistor information
- IP ratings
- Pollution degree
- Vibration specifications
- Humidity
- Altitude
- Weights
- Losses
- De-rating info
- EMC filter info

Commander SK Advanced User Guide

This gives detailed information on all of the drive's advanced parameters and also on the serial communications. Furthermore, it gives set-up examples for the drive.

Commander SK EMC Guide

This gives comprehensive EMC information on the drive.

Option Module User Guides / Installation Sheets

These guides provide detailed information and set-up instructions for the various options available for Commander SK.

All of these guides can be found on the CD supplied with the drive or downloaded from www.controltechniques.com.

10 Parameter List




Par	Description	Default		Setting 1	Setting 2
		Eur	USA		
Level 1 parameters					
01	Minimum set speed (Hz)	0.0			
02	Maximum set speed (Hz)	50.0	60.0		
03	Acceleration rate (s/100Hz)	5.0	33		
04	Deceleration rate (s/100Hz)	10.0	33		
05	Drive configuration	AI.AV	PAd		
06	Motor rated current (A)	Drive rating			
07	Motor rated speed (rpm)	1500	1800		
08	Motor rated voltage (V)	230 / 400	230 / 460		
09	Motor power factor (cos φ)	0.85			
10	Parameter access	L1			
Level 2 parameters					
11	Start/Stop logic select	0	4		
12	Brake controller enable	diS			
13	Not used				
14					
15	Jog reference (Hz)	1.5			
16	Analogue input 1 mode (mA)	4-.20			
17	Enable negative preset speeds	OFF			
18	Preset speed 1 (Hz)	0.0			
19	Preset speed 2 (Hz)	0.0			
20	Preset speed 3 (Hz)	0.0			
21	Preset speed 4 (Hz)	0.0			
22	Load display units	Ld			
23	Speed display units	Fr			
24	Customer defined scaling	1.000			
25	User security code	0			
26	Not used				
27	Power up keypad reference	0			
28	Parameter cloning	no			
29	Load defaults	no			
30	Ramp mode select	1			
31	Stop mode select	1			
32	Dynamic V to f select	OFF			
33	Catch a spinning motor select	0			
34	Terminal B7 mode select	dig			
35	Digital output control (terminal B3)	n=0			
36	Analogue output control (terminal B1)	Fr			
37	Maximum switching frequency (kHz)	3			
38	Autotune	0			
39	Motor rated frequency (Hz)	50.0	60.0		
40	Number of motor poles	Auto			
41	Voltage mode select	Ur I	Fd		
42	Low frequency voltage boost (%)	3.0	1.0		
43	Serial communications baud rate	19.2			
44	Serial comms address	1			
45	Software version				
46	Brake release current threshold (%)	50			
47	Brake apply current threshold (%)	10			

Par	Description	Default		Setting 1	Setting 2
		Eur	USA		
48	Brake release frequency (Hz)		1.0		
49	Brake apply frequency (Hz)		2.0		
50	Pre-brake release delay (s)		1.0		
51	Post brake release delay (s)		1.0		
52	Fieldbus node address		0		
53	Fieldbus baud rate		0		
54	Fieldbus diagnostics		0		
55	Last trip		0		
56	Trip before Pr 55		0		
57	Trip before Pr 56		0		
58	Trip before Pr 57		0		
59	PLC ladder program enable		0		
60	PLC ladder program status				
61	Configurable parameter 1				
62	Configurable parameter 2				
63	Configurable parameter 3				
64	Configurable parameter 4				
65	Configurable parameter 5				
66	Configurable parameter 6				
67	Configurable parameter 7				
68	Configurable parameter 8				
69	Configurable parameter 9				
70	Configurable parameter 10				
Level 3 parameters					
71	Pr 61 set-up parameter				
72	Pr 62 set-up parameter				
73	Pr 63 set-up parameter				
74	Pr 64 set-up parameter				
75	Pr 65 set-up parameter				
76	Pr 66 set-up parameter				
77	Pr 67 set-up parameter				
78	Pr 68 set-up parameter				
79	Pr 69 set-up parameter				
80	Pr 70 set-up parameter				
81	Frequency reference selected				
82	Pre-ramp reference				
83	Post-ramp reference				
84	DC bus voltage				
85	Motor frequency				
86	Motor voltage				
87	Motor speed				
88	Motor current				
89	Motor active current				
90	Digital I/O read word				
91	Reference enabled indicator				
92	Reverse selected indicator				
93	Jog selected indicator				
94	Analogue input 1 level				
95	Analogue input 2 level				

Safety Information
Rating Data
Mechanical Installation
Electrical Installation
Keypad and Display
Parameters
Quick Start Commissioning
Diagnostics
Options
Parameter List
UL Listing Information

11 UL Listing Information

Table 11-1 Approvals

	CE approval	Europe
	C Tick approval	Australia
	UL / cUL approval	USA & Canada

11.1 UL information (for Commander SK size A, B and C)

11.1.1 Conformity

The drive conforms to UL listing requirements only when the following are observed:

- Class 1 60/75°C (140/167°F) copper wire only is used in the installation
- The ambient temperature does not exceed 40°C (104°F) when the drive is operating
- The terminal tightening torques specified in section 4.1 *Power terminal connections* are used
- The drive is installed into a separate electrical enclosure. The drive has a UL 'Opentype' enclosure rating.
- UL listed class CC fast acting fuses e.g. Bussman Limitron KTK series, Gould Amp-Trap ATM series or equivalent are used in the AC supply.

11.1.2 AC supply specification

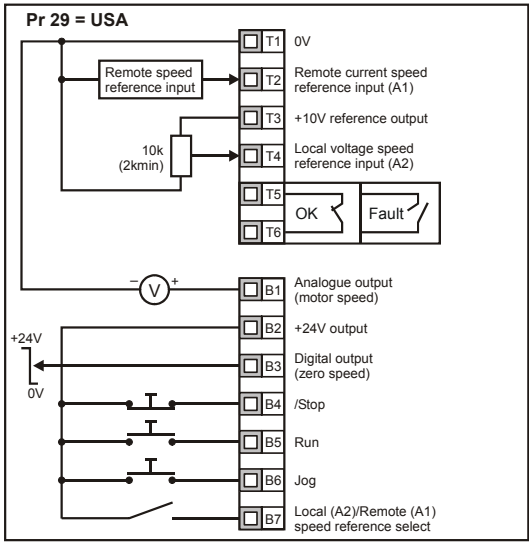
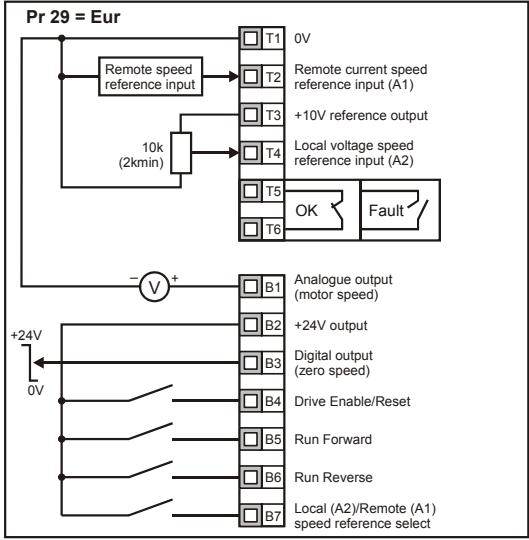
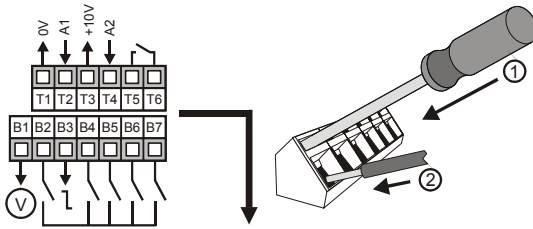
The drive is suitable for use in a circuit capable of delivering not more than 100,000 RMS symmetrical Amperes at 264Vac RMS maximum (200V drives), 528Vac RMS maximum (400V drives) or 132Vac RMS (110V drives).

11.1.3 Motor overload protection

The drive provides motor overload protection. The overload protection level is 150% of full-load current. It is necessary for the motor rated current to be entered into Pr **06** for the protection to operate correctly. The protection level may be adjusted below 150% if required. Refer to the *Commander SK Advanced User Guide* for further information.

11.1.4 Overspeed protection

The drive provides overspeed protection. However, it does not provide the level of protection afforded by an independent high integrity overspeed protection device.



0472-0000-06