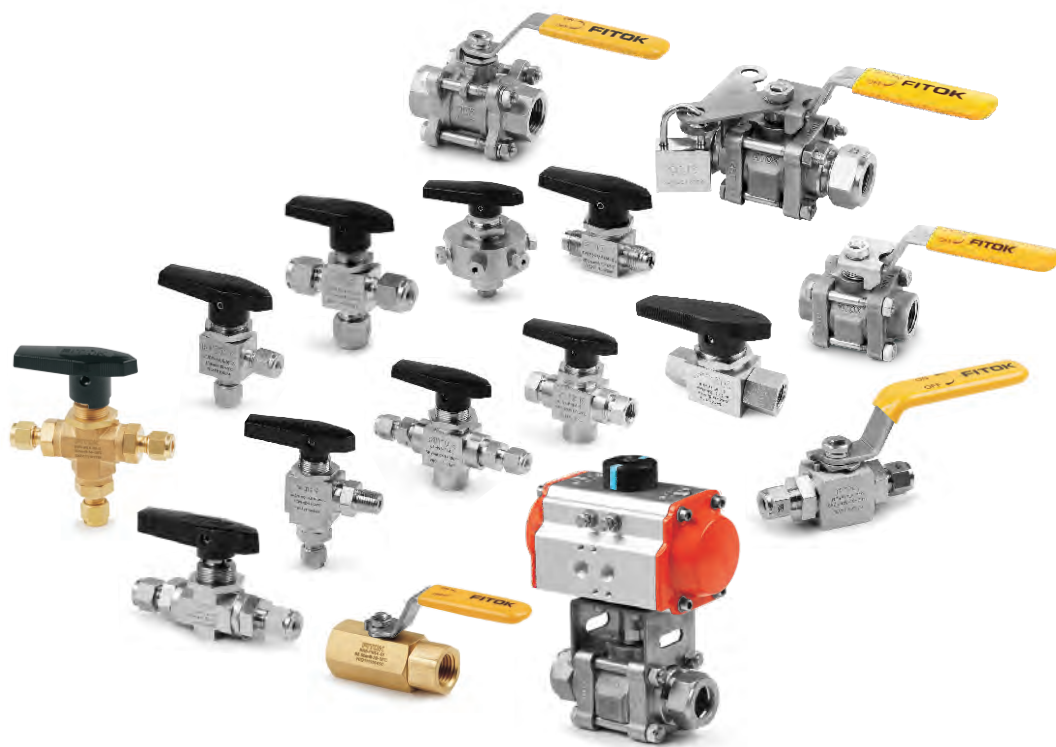


Ball Valves

BF, BFH, BG, BH, BO, BP, BR, BRC,
BV, BK and BU Series

Ball Valves
Plug Valves



Contents

Trunnion Ball Valves

BF and BFH Series



B-04

3-piece Ball Valves

BG Series



B-11

3-piece Ball Valves

BH Series



B-16

One-piece Instrumentation Ball Valves

BO Series



B-22

Bar Stock Ball Valves

BP Series



B-36

Hex Bar Stock Ball Valves

BR and BRC Series



B-42

High Performance Ball Valves

BV Series



B-46

High Temperature Metal-seated Ball Valves

BK Series



B-55

Alternative Fuel Service (AFS) Ball Valves

BU Series



B-59

Important Information about Ball Valves

- ⦿ FITOK ball valves are designed to be used in fully open or fully closed position.
- ⦿ Packing adjustment may be required during the valve's life (except for BF, BFH and BU series).
- ⦿ For better quality maintenance, FITOK ball valves should be kept in fully open position in warehouse.
- ⦿ Valves that have not been cycled for a period of time may have a higher initial actuation torque.

Trunnion Ball Valves

BF and BFH Series

Features

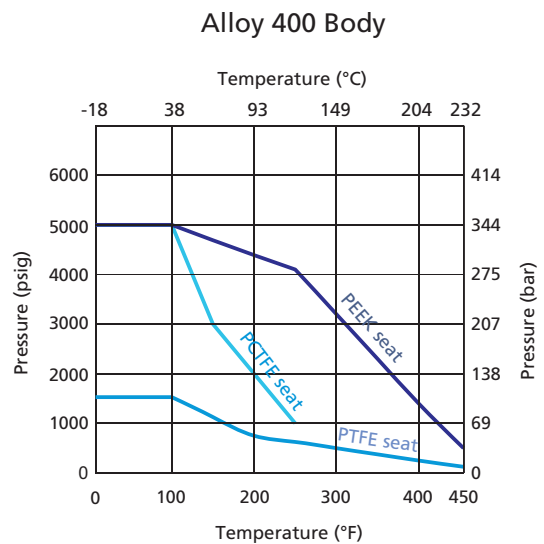
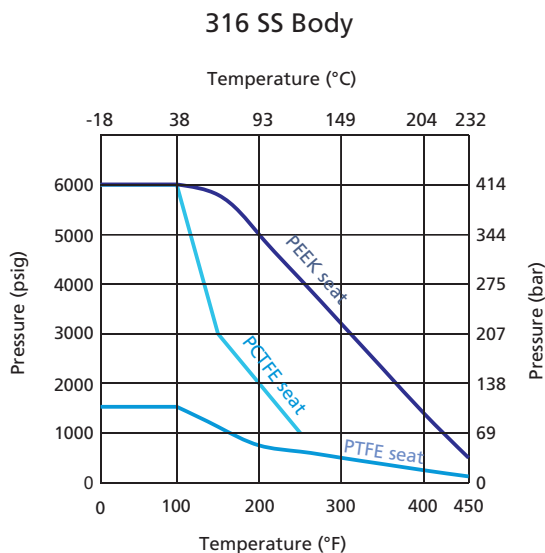
- ⦿ Working pressure up to: 10,000 psig (690 bar)
- ⦿ Working temperature: 0°F to 450°F (-18°C to 232°C)
- ⦿ Orifice size: 0.19" (4.8 mm)
- ⦿ Fixed ball with double sealing
- ⦿ Trunnion-style ball to prevent ball blowout
- ⦿ Automatic compensation of seat sealing
- ⦿ Low operating torque
- ⦿ Blowout proof stem
- ⦿ Handle as indicator of flow direction
- ⦿ Positive handle stop
- ⦿ Handle color options available
- ⦿ Pneumatic and electric actuator available
- ⦿ Panel mountable
- ⦿ Leak-tight performance testing with nitrogen or compressed air for every valve at the rated pressure (not higher than 6000 psig) to meet the requirement of no visible leak
- ⦿ Compact maximum-flow design
- ⦿ 2- or 3-way flow patterns
- ⦿ Spring-load seats to provide leak tight integrity in both low-and high-pressure systems and reduce seat wear from pressure surges
- ⦿ The inlet of 3-way valve can be any port
- ⦿ Low-temperature service option available
- ⦿ BF series 3-way ball valves for "fast fill" CNG filling station application available
- ⦿ BF series ball valves with ECE R110 type approval available



Ball Valves
Plug Valves

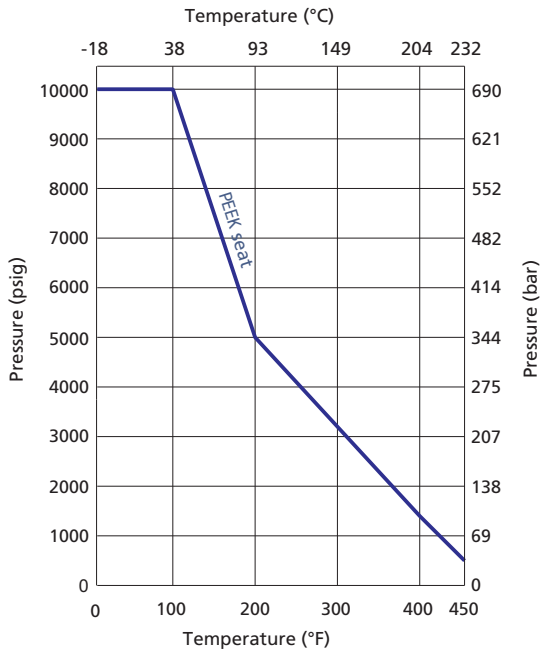
Pressure vs. Temperature

BF Series



BFH Series

316 SS Body



Pressure Rating@100°F (38°C)

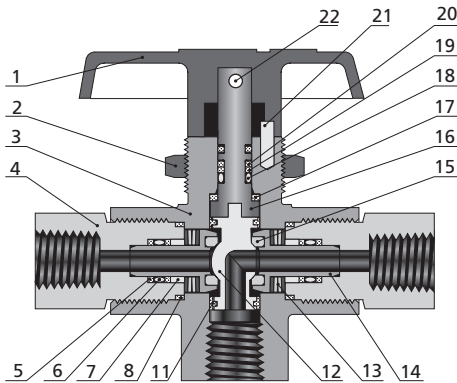
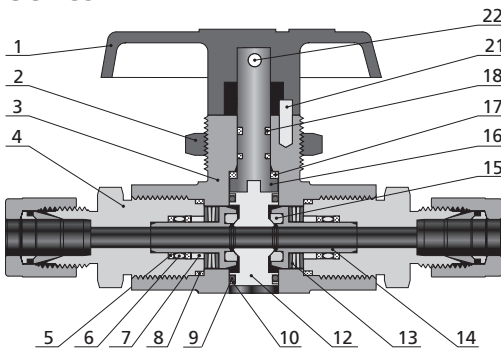
Material	End Connection	Pressure Rating, psig (bar)
316 SS	FNS2, FNS4 FL4, ML6	10000 (690)
	ML10	8400 (578)
	FL6/ML8	7500 (516)
	FL8	6700 (461)
	ML12	6800 (470)

Note: Maximum working pressure of BFH Series ball valves is 10,000 psig. The specified pressure rating is restricted by end connections.

Ball Valves
Plug Valves

Standard Materials of Construction

BF Series

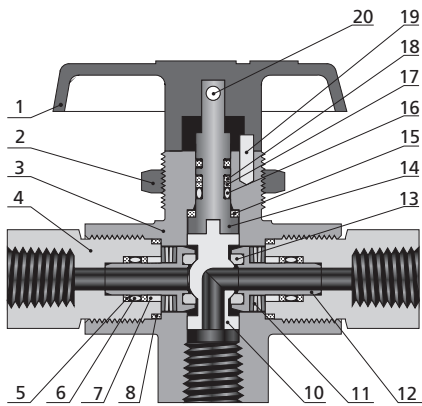
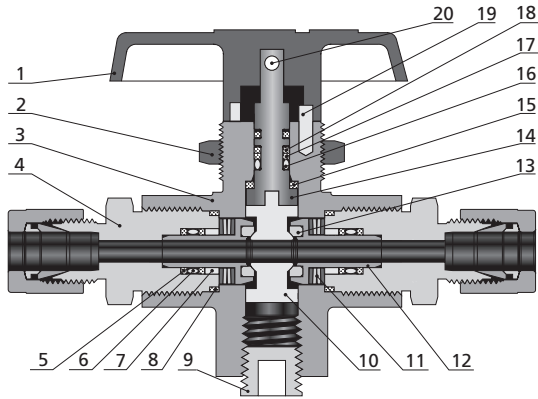


Item	Component	Valve Body Material			
		316 SS		Alloy 400	
		2-way	3-way	2-way	3-way
Material Grade/ASTM Specification					
1	Handle	Nylon with SS insert			
2	Panel Nut	316 SS/A479			
3	Body	<i>F316 SS/A182</i>		<i>Alloy 400/B164</i>	
4	End Connection	<i>316 SS/A479</i>		<i>Alloy 400/B164</i>	
5	Seat Retainer Backup Ring	<i>Reinforced PTFE</i>			
6	Seat Retainer O-ring	<i>Fluorocarbon FKM</i>			
7	Seat Retainer Guide	<i>316 SS/A479</i>		<i>Alloy 400/B164</i>	
8	End Connection Seal	<i>Silver-plated 316L/A269</i>			
9	Trunnion O-ring	<i>Fluorocarbon FKM</i>	—	<i>Fluorocarbon FKM</i>	—
10	Trunnion Backup Ring	<i>Reinforced PTFE</i>	—	<i>Reinforced PTFE</i>	—
11	Trunnion Bearing	—	<i>PEEK</i>	—	<i>PEEK</i>
12	Ball	<i>316 SS/A479</i>	<i>S21800/A479</i>	<i>Alloy 400/B164</i>	
13	Seat Spring	<i>Alloy X-750/AMS 5542</i>			
14	Seat Retainer	<i>316 SS/A479</i>		<i>Alloy 400/B164</i>	
15	Seat	<i>PTFE or PEEK or PCTFE</i>			
16	Stem	<i>316 SS/A479</i>		<i>Alloy 400/B164</i>	
17	Stem Washer	<i>PEEK</i>			
18	Stem O-ring	<i>Fluorocarbon FKM</i>	<i>Fluorocarbon FKM</i>	<i>Fluorocarbon FKM</i>	<i>Fluorocarbon FKM</i>
19	Secondary Stem Backup Ring	—	<i>PTFE/D1710</i>	—	<i>PTFE/D1710</i>
20	Primary Stem Backup Ring	—	<i>PEEK</i>	—	<i>PEEK</i>
21	Stop Pin	SS			
22	Set Screw	Galvanized carbon steel			
Lubricants		<i>Fluorinated-based</i>			

Note: Wetted components are listed in italics.

- Ball trunnions are PTFE coated for BF series 2-way valves.
- For other materials, please contact FITOK Group or our authorized distributors.

BFH Series



Item	Component	2-way	3-way
		Material Grade/ASTM Specification	
1	Handle	Nylon with SS insert	
2	Panel Nut	316 SS/A479	
3	Body	316 SS/A479	
4	End Connection	316 SS/A479	
5	Seat Retainer Backup Ring	Reinforced PTFE	
6	Seat Retainer O-ring	Fluorocarbon FKM	
7	Seat Retainer Guide	316 SS/A479	
8	End Connection Seal	Silver-plated 316L/A269	
9	Plug	316 SS/A479	
10	Ball	S21800/A479	
11	Seat Spring	Alloy X-750/AMS 5542	
12	Seat Retainer	316 SS/A479	
13	Seat	PEEK	
14	Stem	316 SS/A479	
15	Stem Washer	PEEK	
16	Stem O-ring	Fluorocarbon FKM	
17	Secondary Stem Backup Ring	PTFE/D1710	
18	Primary Stem Backup Ring	PEEK	
19	Stop Pin	SS	
20	Set Screw	Galvanized carbon steel	
<i>Lubricants</i>		<i>Fluorinated-based</i>	

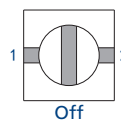
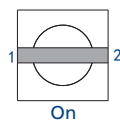
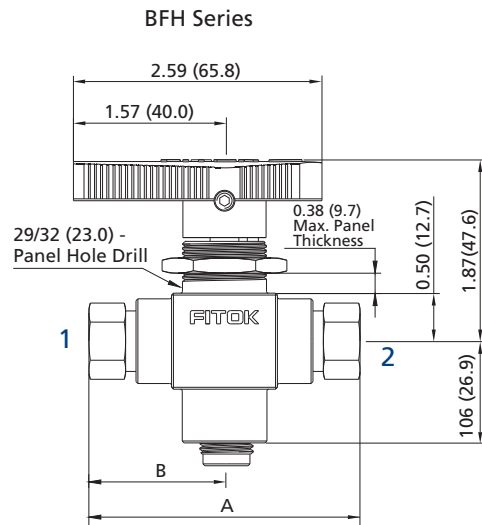
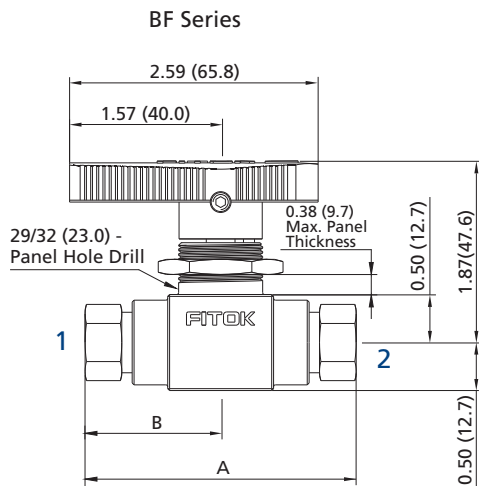
Note: Wetted components are listed in italics.

1. Ball trunnions are PTFE coated for BFH series ball valves.

2. For other materials, please contact FITOK Group or our authorized distributors.

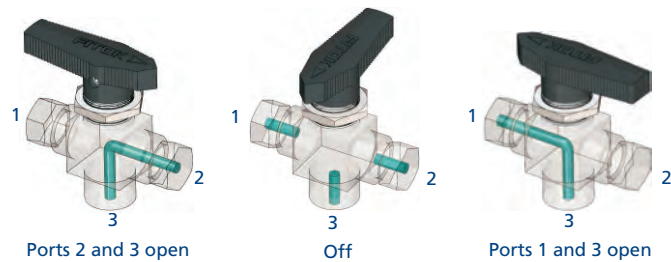
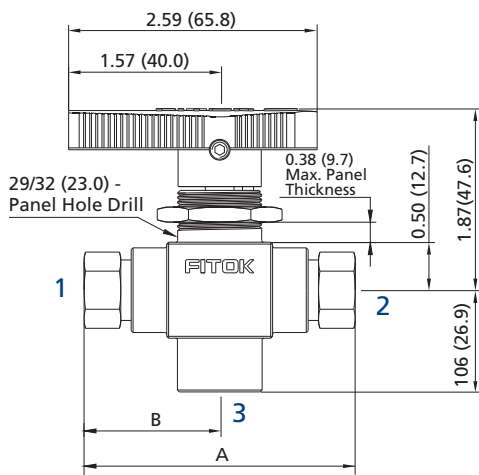
Dimensions

2-way Valves



Basic Ordering Number		Connection Type and Size		Orifice in. (mm)	Cv	Dimensions, in. (mm)	
BF Series	BFH Series	Connection 1/2				A	B
BF□□-FNS2	BFH□□-FNS2-P	1/8 Female NPT		0.19 (4.8)	1.2	2.94 (74.7)	1.47 (37.3)
BF□□-FNS4	BFH□□-FNS4-P	1/4 Female NPT					
BF□□-FNS8	BFH□□-FNS4-P	1/2 Female NPT			1.0	3.93 (99.8)	1.97 (50.0)
BF□□-FL4	BFH□□-FL4-P	1/4" FITOK			1.2	4.25 (108.0)	2.13 (54.1)
BF□□-FL6	BFH□□-FL6-P	3/8" FITOK			1.6	4.14 (105.2)	2.07 (52.6)
BF□□-FL8	BFH□□-FL8-P	1/2" FITOK			1.4	4.39 (111.5)	2.19 (55.6)
BF□□-ML6	BFH□□-ML6-P	6 mm FITOK			1.0	4.60 (116.8)	2.30 (58.4)
BF□□-ML8	BFH□□-ML8-P	8 mm FITOK			1.6	4.14 (105.2)	2.07 (52.6)
BF□□-ML10	BFH□□-ML10-P	10 mm FITOK			1.5	4.15 (105.4)	2.20 (55.9)
BF□□-ML12	BFH□□-ML12-P	12 mm FITOK			1.3	4.41 (112.0)	2.20 (55.9)
					1.0	4.60 (116.8)	2.30 (58.4)

3-way Valves



Basic Ordering Number		Connection Type and Size		Orifice in. (mm)	Cv	Dimensions, in. (mm)	
BF Series	BFH Series	Connection 1/2	Connection 3			A	B
BF□□-FNS2-3	BFH□□-FNS2-P-3	1/8 Female NPT	1/4 Female NPT	0.19 (4.8)	0.75	2.94 (74.7)	1.47 (37.3)
BF□□-FNS4-3	BFH□□-FNS4-P-3	1/4 Female NPT					
BF□□-FL4-3	BFH□□-FL4-P-3	1/4" FITOK				3.93 (99.8)	1.97 (50.0)
BF□□-FL6-3	BFH□□-FL6-P-3	3/8" FITOK				4.14 (105.2)	2.07 (52.6)
BF□□-FL8-3	BFH□□-FL8-P-3	1/2" FITOK				4.39 (111.5)	2.19 (55.6)
BF□□-ML6-3	BFH□□-ML6-P-3	6 mm FITOK				4.60 (116.8)	2.30 (58.4)
BF□□-ML8-3	BFH□□-ML8-P-3	8 mm FITOK				4.14 (105.2)	2.07 (52.6)
BF□□-ML10-3	BFH□□-ML10-P-3	10 mm FITOK				4.15 (105.4)	2.20 (55.9)
BF□□-ML12-3	BFH□□-ML12-P-3	12 mm FITOK				4.41 (112.0)	2.20 (55.9)
						4.60 (116.8)	2.30 (58.4)

1. FITOK means FITOK double ferrule tube fittings.

2. Sizes and types listed are standard. Other sizes and types are available upon request, please contact FITOK Group or our authorized distributors.

3. Dimensions are shown with tube fitting nuts finger-tightened. All dimensions are for reference only and are subject to change.

For dimensions not shown above, please contact FITOK Group or our authorized distributors.

4. Bottom port of all 3-way valves is 1/4 in. female NPT.

Special Application Ball Valves

Low-Temperature Service

BF and BFH series ball valves for low-temperature service, with a temperature rating of -40°F to 200°F (-40°C to 93°C), are available.

Low-temperature service valves have low-temperature NBR O-rings. All other materials are the same as those of standard valves. To order a valve for low-temperature service, add -LT into the valve ordering number.

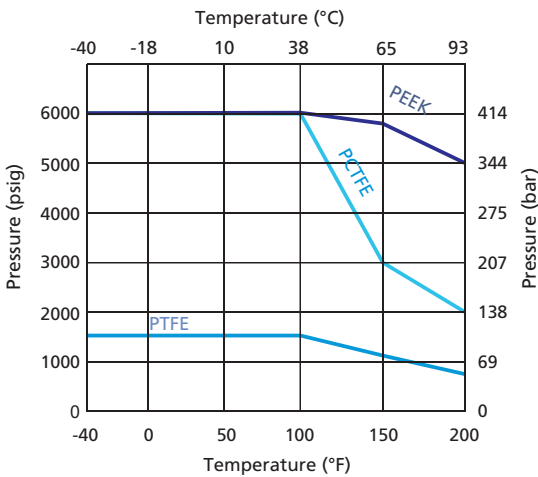
For example: BFSS-FL4-P-LT

BFSS-FL4-P-3-LT

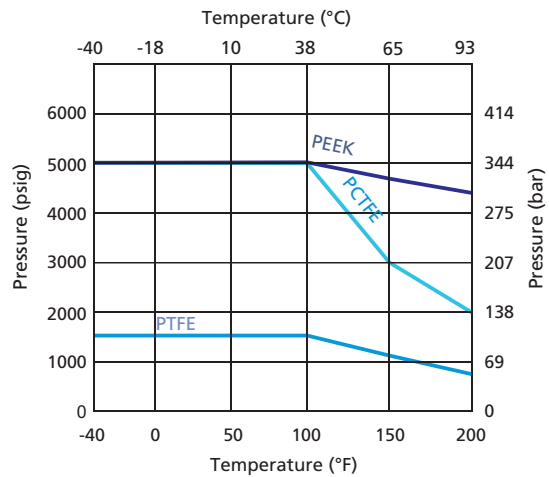
Seal kit for field replacement is available, see "Seal Kits" on Page B-09.

Low-Temperature Service BF Series Pressure vs. Temperature

316 SS Body

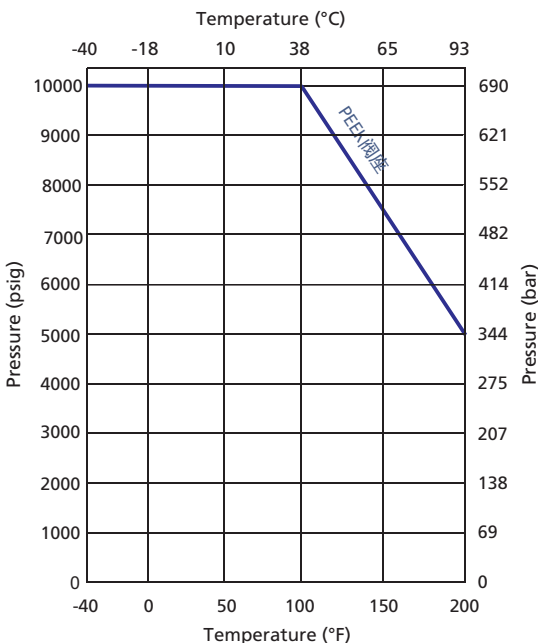


Alloy 400 Body



Low-Temperature Service BFH Series Pressure vs. Temperature

316 SS Body



Note: The maximum working pressure for BFH series low-temperature service ball valves is the same as that of standard ball valves.

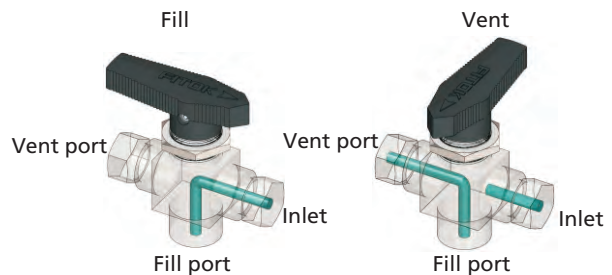
"Fast Fill" CNG Filling Station Application

BF series 3-way valves for use in "fast-fill" CNG filling station as well as a variety of filling station applications are available.

Features

- A directional installation with 90 degree actuation for ease of operation during filling
 - 3-way design with vent port for ease of venting after fill
 - PEEK seats to reduce maintenance required in high-cycle applications
 - Cycle life test report available upon request
 - Field repairable with seal kit, see "Seal Kits" on Page B-09
- To order, the flow pattern designator should be specified as "3DL" in the valve ordering number.

Example: BFSS-FNS4-P-3DL (The material and pressure vs. temperature curve are the same with those of BF series standard valves.)
 BFSS-FNS4-P-3DL-LT (The material and pressure vs. temperature curve are the same with those of BF series low-temperature service valves.)



CNG/NGV Application

BF series ball valves with ECE R110 manual valve type approval available.

Classification: Class 0

Temperature rating: -40°F to 248°F (-40°C to 120°C)

Pressure rating: 3370 psig (260 bar)

CNG/NGV application valves have low-temperature FKM O-rings and PEEK seats. All other materials are the same as those of standard valves.

To order a valve for CNG/NGV application, add **-R110** into the valve ordering number.

For example: BFSS-FL4-P-**R110**

BFSS-FL4-P-3-**R110**

Seal kit for field replacement is available, see "Seal Kits" on Page B-09.

Seal Kits

Valve Series	Flow Pattern	Special Application	Basic Seal Kit Ordering Number	Content
BF	2-way	/	BFSS-2-□	Seat retainer backup ring, seat retainer O-ring, seat retainer guide, end connection seal, trunnion O-ring, trunnion backup ring, ball, seat spring, seat retainer, seat, stem, stem washer, stem O-ring, instructions.
		Low-temperature service	BFSS-2-□-LT	
		CNG/NGV application	BFSS-2-P-R110	
	3-way	/	BFSS-3-□	Seat retainer backup ring, seat retainer O-ring, seat retainer guide, end connection seal, trunnion bearing, ball, seat spring, seat retainer, seat, stem, stem washer, stem O-ring, secondary stem backup ring, primary stem backup ring, instructions.
		Low-temperature service	BFSS-3-□-LT	
		"Fast Fill" CNG filling station application	BFSS-3DL-P	
		CNG/NGV application	BFSS-3DL-P-LT	
BFH	2-way	/	BFHSS-2-P	Seat retainer backup ring, seat retainer O-ring, seat retainer guide, end connection seal, ball, seat spring, seat retainer, seat, stem, stem washer, stem O-ring, secondary stem backup ring, primary stem backup ring, instructions.
		Low-temperature service	BFHSS-2-P-LT	
	3-way	/	BFHSS-3-P	
		Low-temperature service	BFHSS-3-P-LT	

Seat Material	Designator
PTFE	T
PCTFE	K
PEEK	P

To order seal kits for BF series standard and low-temperature service ball valves, select a seat designator from the table at left and add to the basic seal kit ordering number.

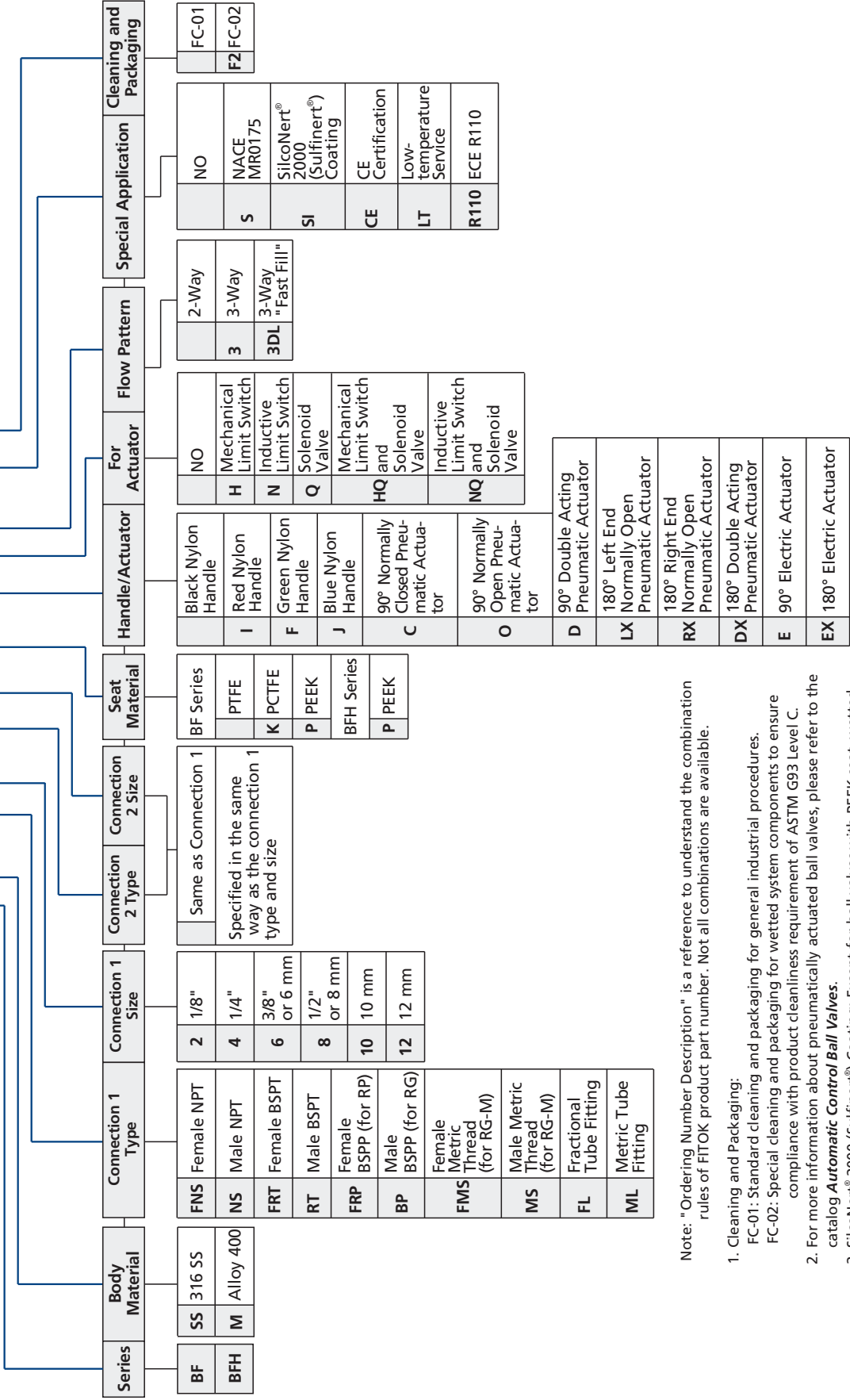
Example: BFSS-2-T
BFSS-2-P-LT

Ordering numbers specify 316 stainless steel material. For other materials, replace SS in the ordering numbers with other material designators.

Example: BFM-2-T. M is the designator for Alloy 400.

Ordering Number Description

BFSS - FNS4 - ML12 - P - RXHQ3 - SCEF2



Note: "Ordering Number Description" is a reference to understand the combination rules of FITOK product part number. Not all combinations are available.

1. Cleaning and Packaging:
FC-01: Standard cleaning and packaging for general industrial procedures.
FC-02: Special cleaning and packaging for wetted system components to ensure compliance with product cleanliness requirement of ASTM G93 Level C.
2. For more information about pneumatically actuated ball valves, please refer to the catalog **Automatic Control Ball Valves**.
3. SilcoNert® 2000 (Sulfinert®) Coating: Except for ball valves with PEEK seat, wetted metal components SilcoNert® 2000 (Sulfinert®) coated.
4. CE certification is available. For more information, please contact FITOK group or our authorized distributors.
5. Certifications do not include attachments to the valve, such as actuators or a different handle mechanism.

3-piece Ball Valves

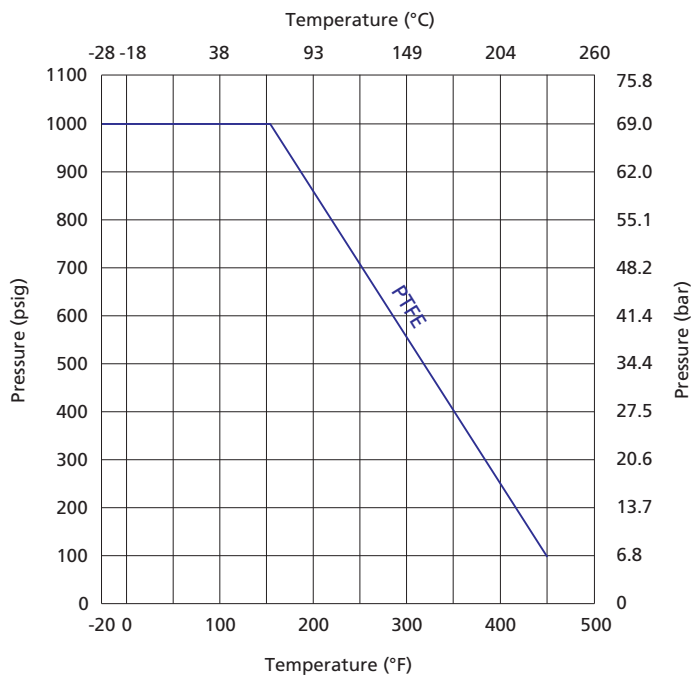
BG Series

Features

- ⦿ Working pressure up to: 1000 psig (69.0 bar)
- ⦿ Working temperature: -20°F to 450°F (-28°C to 232°C)
- ⦿ End connections:
 - 1/8 to 1 thread
 - 1/8" to 1" pipe butt or socket weld
 - 1/4" to 1" and 6 mm to 25 mm tube butt or socket weld
 - 1/4" to 1" and 6 mm to 25 mm tube fitting
- ⦿ Orifice sizes: 0.19" (4.8 mm) to 1" (25 mm)
- ⦿ Blowout proof stem
- ⦿ Bidirectional flow
- ⦿ Leak-tight performance testing with nitrogen or compressed air for every valve at the rated pressure to meet the requirement of no visible leak

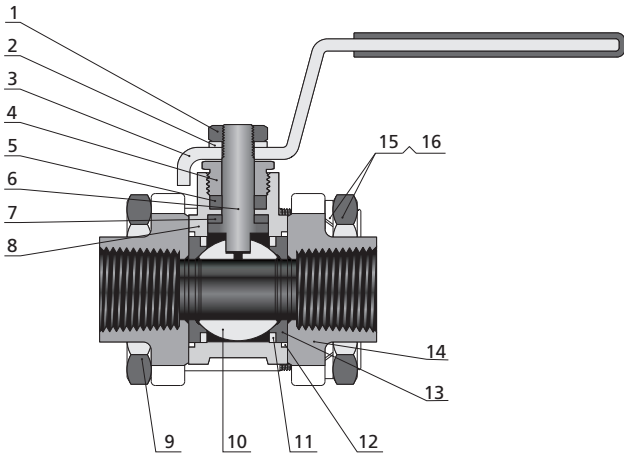


Pressure vs. Temperature



Note: The temperature and pressure rating are based on valves of standard materials.

Standard Materials of Construction



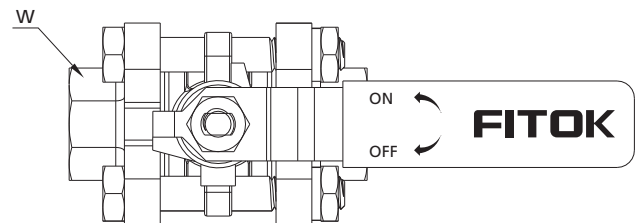
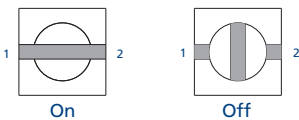
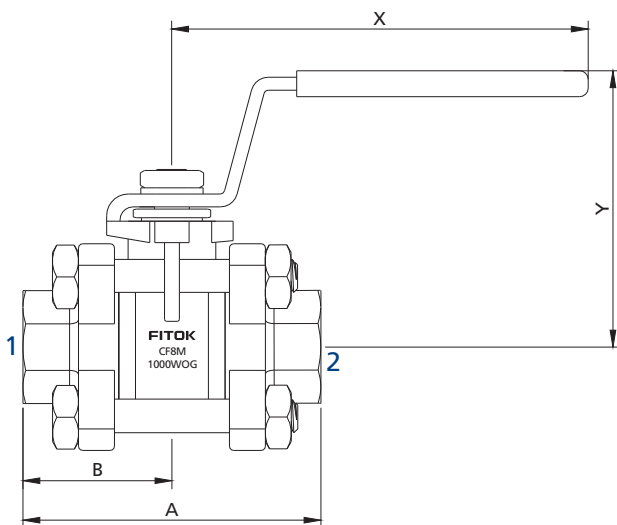
Ball Valves
Plug Valves

Item	Component	Valve Body Material	
		CF8M/A351	CF8/A351
1	Stem Nut	SS	
2	Gasket	SS	
3	Handle	304 SS/A240 (with vinyl sleeve)	
4	Gland	316 SS/A479 or 304 SS/A479	
5	Stem Packing	PTFE/D1710	
6	Stem	316 SS/A479 or 304 SS/A479	
7	Stem Bearing	PTFE/D1710	
8	Body	CF8M/A351	CF8/A351
9	Body Bolt	SS	
10	Ball	316 SS/A479 or 304 SS/A479	
11	Support Ring	316 SS/A240 or 304 SS/A240	
12	Flange Seal	PTFE/D1710	
13	Seat	PTFE/D1710	
14	End Connection	CF8M/A351	CF8/A351
15	Gasket	SS	
16	Nut	SS	
Lubricants		Silicone-based and PTFE-based	

Note: Wetted components are listed in italics.

For other materials, please contact FITOK Group or our authorized distributors.

Dimensions



Basic Ordering Number	Connection Type and Size		Orifice in. (mm)	Cv	Dimensions, in. (mm)						
	Connection 1	Connection 2			A	B	W	X	Y		
BG□□-FNS2-05	1/8 Female NPT	1/8 Female NPT	0.19 (4.8)	1.2	2.05 (52.1)	1.03 (26.0)	0.63 (16.0)	2.69 (68.3)	1.46 (37.0)		
BG□□-FRP2-05	1/8 Female BSPP	1/8 Female BSPP									
BG□□-PB4-05	1/4 PB, Schedule Number: 80	1/4 PB, Schedule Number: 80									
BG□□-FL4-05	1/4" FITOK	1/4" FITOK			2.63 (66.8)	1.31 (33.4)					
BG□□-ML6-05	6 mm FITOK	6 mm FITOK									
BG□□-ML8-05	8 mm FITOK	8 mm FITOK									
BG□□-FNS4-07	1/4 Female NPT	1/4 Female NPT	0.28 (7.1)	3.8	2.05 (52.1)	1.03 (26.0)	0.93 (23.5)	3.94 (100.0)	2.19 (55.7)		
BG□□-FRP4-07	1/4 Female BSPP	1/4 Female BSPP									
BG□□-FL6-07	3/8" FITOK	3/8" FITOK			2.63 (66.8)	1.31 (33.4)					
BG□□-ML10-07	10 mm FITOK	10 mm FITOK									
BG□□-FL8-11	1/2" FITOK	1/2" FITOK	0.42 (10.6)	7.5	4.04 (103.0)	2.02 (51.3)					
BG□□-ML12-11	12 mm FITOK	12 mm FITOK									
BG□□-ML14-11	14 mm FITOK	14 mm FITOK									
BG□□-FNS6-13	3/8 Female NPT	3/8 Female NPT	0.50 (12.7)	11.3	2.57 (65.2)	1.28 (32.6)				0.93 (23.5)	3.94 (100.0)
BG□□-FRP6-13	3/8 Female BSPP	3/8 Female BSPP									
BG□□-PS6-13	3/8 PS	3/8 PS			2.96 (75.3)	1.48 (37.7)					
BG□□-PB8-13	1/2 PB, Schedule Number: 80	1/2 PB, Schedule Number: 80									
BG□□-FL10-13	5/8" FITOK	5/8" FITOK					4.04 (103.0)	2.02 (51.3)			
BG□□-ML16-13	16 mm FITOK	16 mm FITOK									
BG□□-FNS8-15	1/2 Female NPT	1/2 Female NPT	0.55 (14.0)	13.0	2.74 (69.5)	1.37 (34.8)	1.06 (27.0)	2.26 (57.5)			
BG□□-FRP8-15	1/2 Female BSPP	1/2 Female BSPP									
BG□□-PS8-15	1/2 PS	1/2 PS									
BG□□-MTB22-15	22 mm MTB, tube wall thickness: 3 mm	22 mm MTB, tube wall thickness: 3 mm			4.04 (103.0)	2.02 (51.3)					
BG□□-TS12-15	3/4" TS	3/4" TS									
BG□□-MTS18-15	18 mm MTS	18 mm MTS									
BG□□-FL12-15	3/4" FITOK	3/4" FITOK									
BG□□-ML18-15	18 mm FITOK	18 mm FITOK									
BG□□-FNS12-20	3/4 Female NPT	3/4 Female NPT	0.79 (20.0)	50.0	3.15 (80.0)	1.57 (40.0)	1.34 (34.0)	5.18 (131.5)	2.66 (67.5)		
BG□□-FRP12-20	3/4 Female BSPP	3/4 Female BSPP									

B-14 Ball Valves

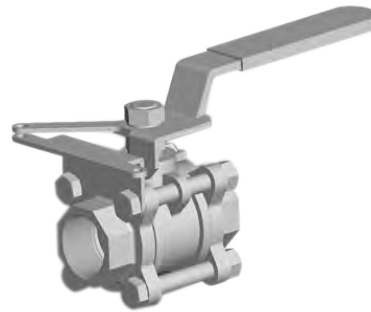
Basic Ordering Number	Connection Type and Size		Orifice in. (mm)	Cv	Dimensions, in. (mm)				
	Connection 1	Connection 2			A	B	W	X	Y
BG□□-PB12-20	3/4 PB Schedule Number: 80	3/4 PB Schedule Number: 80	0.79 (20.0)	50.0	3.15 (80.0)	1.57 (40.0)	1.34 (34.0)	5.18 (131.5)	2.66 (67.5)
BG□□-PS12-20	3/4 PS	3/4 PS							
BG□□-TS16-20	1" TS	1" TS							
BG□□-MTB25-20	25 mm MTB, tube wall thickness: 3.5 mm	25 mm MTB, tube wall thickness: 3.5 mm							
BG□□-MTS25-20	25 mm MTS	25 mm MTS			5.12 (130.0)	2.56 (65.0)	1.34 (34.0)	5.18 (131.5)	2.66 (67.5)
BG□□-FL16-20	1" FITOK	1" FITOK							
BG□□-ML22-20	22 mm FITOK	22 mm FITOK							
BG□□-ML25-20	25 mm FITOK	25 mm FITOK							
BG□□-FNS16-25	1 Female NPT	1 Female NPT	0.98 (25.0)	93.0	3.54 (90.0)	1.77 (45.0)	1.57 (40.0)	5.95 (151.2)	3.08 (78.2)
BG□□-FRP16-25	1 Female BSPP	1 Female BSPP							
BG□□-PS16-25	1 PS	1 PS							
BG□□-PB16-25	1 PB Schedule Number: 80	1 PB Schedule Number: 80							

1. FITOK means FITOK double ferrule tube fittings, TS means fractional tube socket weld, MTS means metric tube socket weld, TB means fractional tube butt weld, MTB means metric tube butt weld, PS means pipe socket weld, and PB means pipe butt weld.
2. Sizes and types listed are standard. Other sizes and types are available upon request, please contact FITOK Group or our authorized distributors.
3. Dimensions are shown with tube fitting nuts finger-tightened. All dimensions are for reference only and are subject to change. For dimensions not shown above, please contact FITOK Group or our authorized distributors.

Locking Device



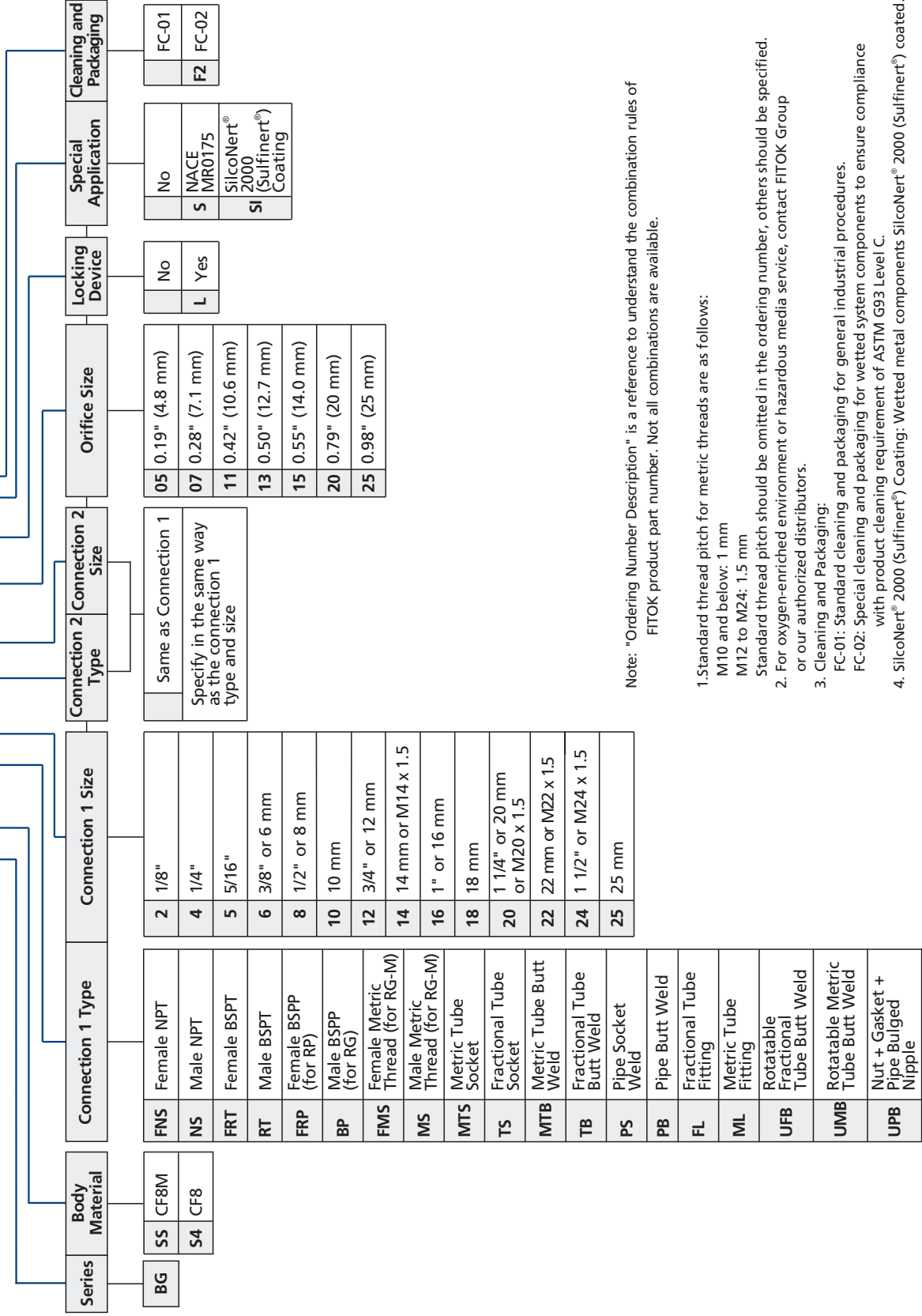
- ⦿ For ball valves with orifices 05, 07, 11, 13, 15 and 20.
- ⦿ Lock the valve in the open or closed position.
- ⦿ To order a ball valve with locking device, add -L to the valve ordering number.
Example: BGSS-FRT8-15-L



- ⦿ For ball valves with orifice 25.
- ⦿ Lock the valve in the open or closed position.
- ⦿ To order a ball valve with locking device, add -L to the valve ordering number.
Example: BGSS-FRT16-25-L

Ordering Number Description

BGSS - FNS8 - ML18 - 15 - L - SF2



Note: "Ordering Number Description" is a reference to understand the combination rules of FITOK product part number. Not all combinations are available.

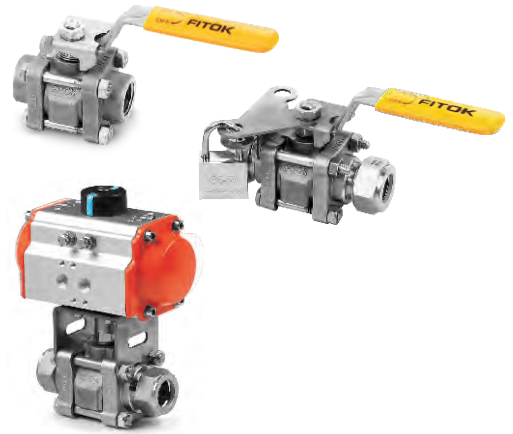
- Standard thread pitch for metric threads are as follows:
M10 and below: 1 mm
M12 to M24: 1.5 mm
Standard thread pitch should be omitted in the ordering number, others should be specified.
- For oxygen-enriched environment or hazardous media service, contact FITOK Group or our authorized distributors.
- Cleaning and Packaging:
FC-01: Standard cleaning and packaging for general industrial procedures.
FC-02: Special cleaning and packaging for wetted system components to ensure compliance with product cleaning requirement of ASTM G93 Level C.
- SilcoNert® 2000 (Sulfinert®) Coating: Wetted metal components SilcoNert® 2000 (Sulfinert®) coated.

3-piece Ball Valves

BH Series

Features

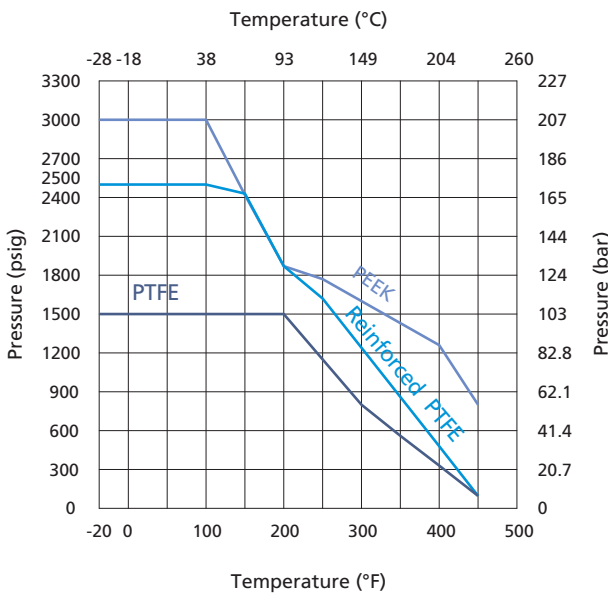
- ⦿ Working pressure up to: 3000 psig (207 bar)
- ⦿ Working temperature: -20°F to 450°F (-28°C to 232°C)
- ⦿ End connections:
 - 1/8 to 2 thread
 - 1/8" to 2" pipe butt or socket weld
 - 1/4" to 2" and 6 mm to 50 mm tube butt or socket weld
 - 1/4" to 2" and 6 mm to 38 mm tube fitting
- ⦿ 3-piece precision cast body construction
- ⦿ Orifize sizes: 0.19" (4.8 mm) to 1.5" (38.1 mm)
- ⦿ Pneumatic and electric actuator available
- ⦿ Bidirectional flow for 2-way valves
- ⦿ Bottom port as inlet for 3-way valves
- ⦿ Leak-tight performance testing with nitrogen or compressed air for every valve at the rated pressure to meet the requirement of no visible leak



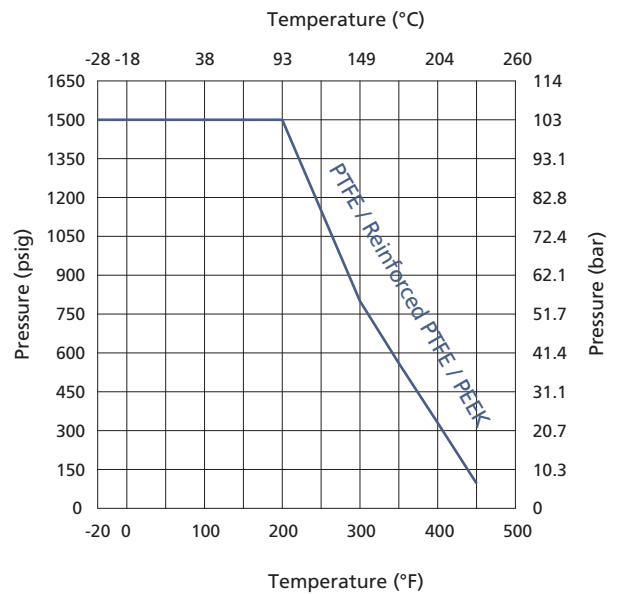
Pressure vs. Temperature

2-way Valves

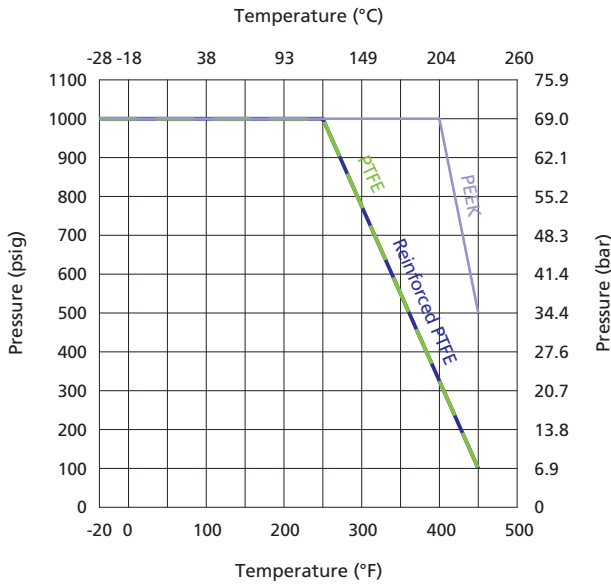
Orifice Size: 0.19", 0.28", 0.41", 0.52" & 0.88"



Orifice Size: 1.13", 1.25" & 1.50"

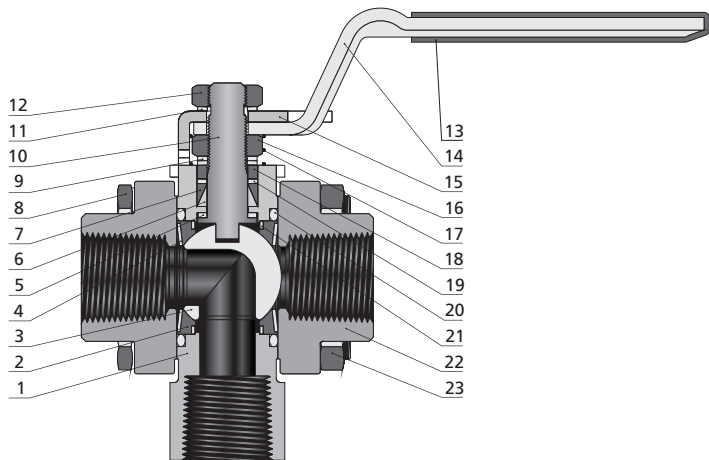
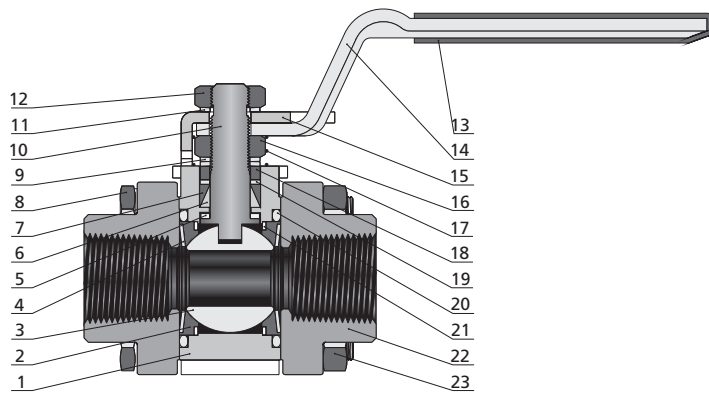


3-way Valves



Note: The temperature and pressure rating are based on valves of standard materials.

Standard Materials of Construction

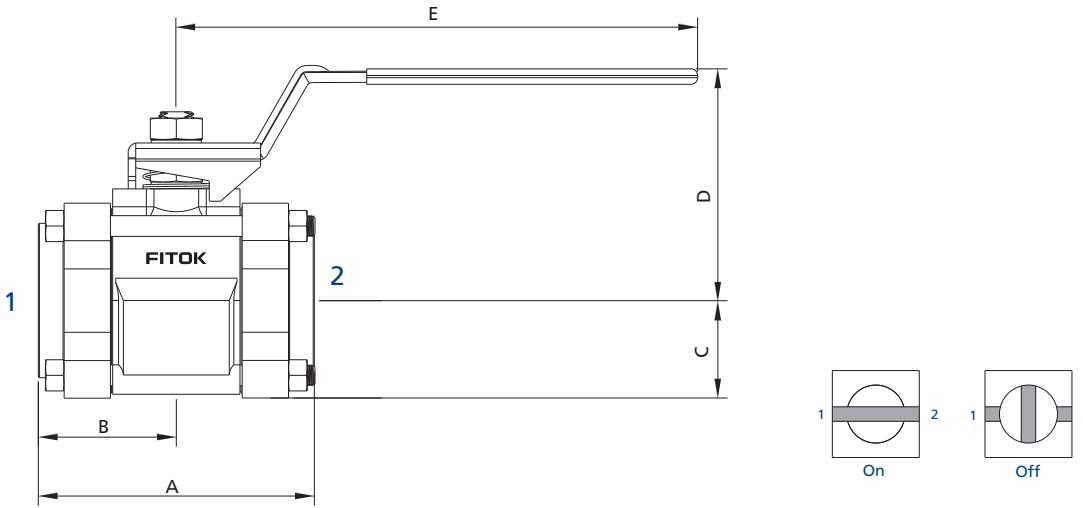


Item	Component	Material Grade/ASME Specification	
1	Body	<i>CF8M/A351</i>	<i>CF8/A351</i>
2	Seat	<i>PTFE or Reinforced PTFE or PEEK</i>	
3	Ball	<i>316 SS/A479</i>	
4	Coned-disc Spring	<i>Strain-hardened 316 SS/A240</i>	
5	Stem Bearing	<i>PEEK</i>	
6	Lower Packing	<i>Reinforced PTFE</i>	
7	Upper Packing	<i>Reinforced PTFE</i>	
8	Body Bolt	Gr. B8M/A193	
9	Stem Spring	<i>Strain-hardened 316 SS/A240</i>	
10	Stem	<i>316 SS/A479</i>	
11	Stem Spring	<i>Strain-hardened 316 SS/A240</i>	
12	Stem Nut	Gr. 8M/A194	
13	Handle Sleeve	Vinyl	
14	Handle	304 SS/A240	
15	Stop Plate	304 SS/A240	
16	Stem Nut	Gr. 8M/A194	
17	Grounding Spring	302 SS/A313	
18	Gland	<i>PTFE-coated 316 SS/A479</i>	
19	Packing Support	<i>PEEK</i>	
20	Flange Seal	<i>PTFE/D1710</i>	
21	Support Ring	<i>316 SS/A240</i>	
22	End Connection	<i>CF8M/A351</i>	<i>CF8/A351</i>
23	Body Nut	Gr.8M/A194	
	Lubricants	<i>Silicone-based and PTTE-based</i>	

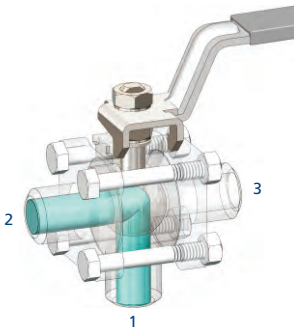
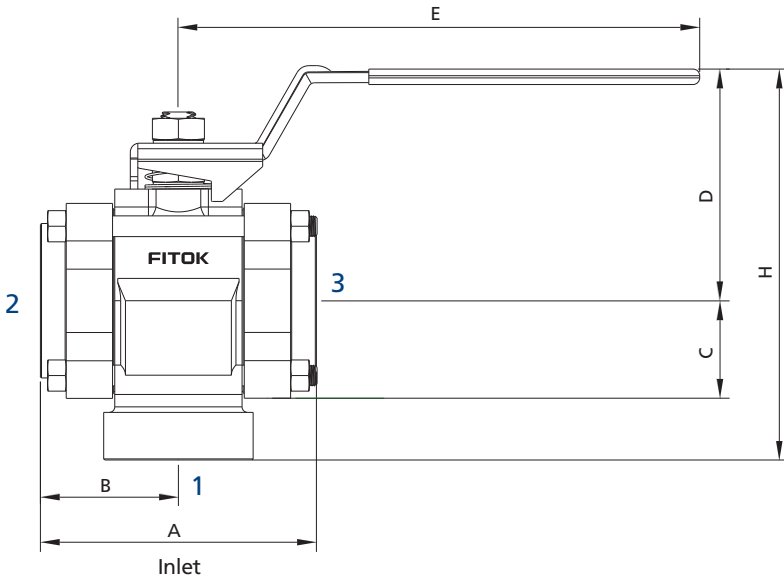
Note: Wetted components are listed in italics. For other materials, please contact FITOK Group or our authorized distributors.

Dimensions

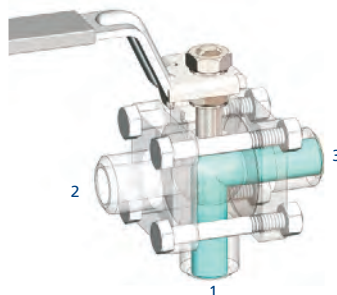
2-way Valves



3-way Valves



Port 1 to port 2



Port 1 to port 3

Basic Ordering Number		Connection Type and Size		Orifice in. (mm)	Cv	Dimensions, in. (mm)									
2-way	3-way	Connection 1	Connection 2/3			A	B	C	D	E	H				
BH□□-FL4-05	BH□□-FL4-05-3	1/4" FITOK	1/4" FITOK	0.19 (4.8)	1.2	3.17 (80.5)	1.59 (40.4)	0.68 (17.3)	1.66 (42.2)	2.37 (60.2)	3.35 (85.1)				
BH□□-ML6-05	BH□□-ML6-05-3	6 mm FITOK	6 mm FITOK												
BH□□-ML8-05	BH□□-ML8-05-3	8 mm FITOK	8 mm FITOK		2.5										
BH□□-TS4-05	—	1/4" TS	1/4" TS		1.2	2.16 (54.9)	1.08 (27.4)								
BH□□-MTS6-05	—	6 mm MTS	6 mm MTS			2.08 (52.8)	1.04 (26.4)								
BH□□-PB4-05	—	1/4 PB, Schedule Number: 80	1/4 PB, Schedule Number: 80			—									
BH□□-FNS2-07	BH□□-FNS2-07-3	1/8 Female NPT	1/8 Female NPT	0.28 (7.1)	3.8	2.16 (54.9)	1.08 (27.4)	0.68 (17.3)	1.66 (42.2)	2.37 (60.2)	3.12 (79.2)				
BH□□-FRT2-07	BH□□-FRT2-07-3	1/8 Female BSPT	1/8 Female BSPT												
BH□□-FRP2-07	BH□□-FRP2-07-3	1/8 Female BSPP	1/8 Female BSPP												
BH□□-FNS4-07	BH□□-FNS4-07-3	1/4 Female NPT	1/4 Female NPT												
BH□□-FRT4-07	BH□□-FRT4-07-3	1/4 Female BSPT	1/4 Female BSPT												
BH□□-FRP4-07	BH□□-FRP4-07-3	1/4 Female BSPP	1/4 Female BSPP												
BH□□-FL6-07	BH□□-FL6-07-3	3/8" FITOK	3/8" FITOK									3.17 (80.5)	1.59 (40.4)	4.37 (111)	
BH□□-ML10-07	BH□□-ML10-07-3	10 mm FITOK	10 mm FITOK									3.20 (81.3)	1.60 (40.6)		
BH□□-TS6-07	—	3/8" TS	3/8" TS									2.16 (54.9)	1.08 (27.4)		
BH□□-PB6-07	—	3/8 PB, Schedule Number: 80	3/8 PB, Schedule Number: 80									2.08 (52.8)	1.04 (26.4)		
BH□□-FL8-10	BH□□-FL8-10-3	1/2" FITOK	1/2" FITOK									0.41 (10.4)	7.5	4.04 (103)	2.02 (51.3)
BH□□-ML12-10	BH□□-ML12-10-3	12 mm FITOK	12 mm FITOK	2.70 (68.6)	1.34 (34)										
BH□□-TS8-10	—	1/2" TS	1/2" TS	—											
BH□□-FNS6-13	BH□□-FNS6-13-3	3/8 Female NPT	3/8 Female NPT	0.52 (13.1)	12	2.70 (68.6)	1.35 (34.3)	0.89 (22.6)	2.35 (59.7)	4.50 (114)	4.19 (106)				
BH□□-FRT6-13	BH□□-FRT6-13-3	3/8 Female BSPT	3/8 Female BSPT												
BH□□-FRP6-13	BH□□-FRP6-13-3	3/8 Female BSPP	3/8 Female BSPP												
BH□□-FNS8-13	BH□□-FNS8-13-3	1/2 Female NPT	1/2 Female NPT												
BH□□-FRT8-13	BH□□-FRT8-13-3	1/2 Female BSPT	1/2 Female BSPT												
BH□□-FRP8-13	BH□□-FRP8-13-3	1/2 Female BSPP	1/2 Female BSPP												
BH□□-FL12-13	BH□□-FL12-13-3	3/4" FITOK	3/4" FITOK									13.6	4.04 (103)	2.02 (51.3)	4.48 (114)
BH□□-ML16-13	BH□□-ML16-13-3	16 mm FITOK	16 mm FITOK										2.70 (68.6)	1.34 (34)	
BH□□-ML18-13	BH□□-ML18-13-3	18 mm FITOK	18 mm FITOK										—		
BH□□-TS12-13	—	3/4" TS	3/4" TS									15	2.69 (68.3)	1.34 (34)	—
BH□□-PS8-13	—	1/2 PS	1/2 PS									6.8			
BH□□-PB8-13	—	1/2 PB, Schedule Number: 80	1/2 PB, Schedule Number: 80	13.6											
BH□□-PB12-13	—	3/4 PB, Schedule Number: 80	3/4 PB, Schedule Number: 80	—											
BH□□-FNS12-22	BH□□-FNS12-22-3	3/4 Female NPT	3/4 Female NPT	0.88 (22.2)	31	3.59 (91.2)	1.8 (45.7)	1.25 (31.8)	2.94 (74.7)	6.00 (152)	5.45 (138)				
BH□□-FRT12-22	BH□□-FRT12-22-3	3/4 Female BSPT	3/4 Female BSPT												

B-20 Ball Valves

Basic Ordering Number		Connection Type and Size		Orifice in.(mm)	Cv	Dimensions, in. (mm)					
2-way	3-way	Connection 1	Connection 2/3			A	B	C	D	E	H
BH□□-FRP12-22	BH□□-FRP12-22-3	3/4 Female BSPP	3/4 Female BSPP	0.88 (22.2)	31	3.59 (91.2)	1.8 (45.7)	1.25 (31.8)	2.94 (74.7)	6.00 (152)	5.45 (138)
BH□□-FNS16-22	BH□□-FNS16-22-3	1 Female NPT	1 Female NPT		38						
BH□□-FRT16-22	BH□□-FRT16-22-3	1 Female BSPT	1 Female BSPT			40	5.36 (136)				
BH□□-FRP16-22	BH□□-FRP16-22-3	1 Female BSPP	1 Female BSPP		40						
BH□□-FL16-22	BH□□-FL16-22-3	1" FITOK	1" FITOK			40	5.36 (136)				2.68 (68)
BH□□-FL20-22	BH□□-FL20-22-3	1 1/4" FITOK	1 1/4" FITOK		40						
BH□□-ML25-22	BH□□-ML25-22-3	25 mm FITOK	25 mm FITOK			40	3.59 (91.2)				1.80 (45.7)
BH□□-ML28-22	BH□□-ML28-22-3	28 mm FITOK	28 mm FITOK		38						
BH□□-TS16-22	—	1" TS	1" TS			36	3.59 (91.2)				1.80 (45.7)
BH□□-MTS25-22	—	25 mm MTS	25 mm MTS		42						
BH□□-PS12-22	—	3/4 PS	3/4 PS			40	3.46 (87.9)				1.73 (43.9)
BH□□-PS16-22	—	1 PS	1 PS		80						
BH□□-PB16-22	—	1 PB Schedule Number: 80	1 PB Schedule Number: 80			80	4.57 (116)				2.28 (57.9)
BH□□-TS20-29	—	1 1/4" TS	1 1/4" TS		90						
BH□□-PB20-32	—	1 1/4 PB, Schedule Number: 80	1 1/4 PB, Schedule Number: 80	100		4.51 (115)	2.25 (57.2)				
BH□□-FNS20-32	BH□□-FNS20-32-3	1 1/4 Female NPT	1 1/4 Female NPT		90			4.51 (115)	2.25 (57.2)		
BH□□-FNS24-32	BH□□-FNS24-32-3	1 1/2 Female NPT	1 1/2 Female NPT	100		4.57 (116)	2.28 (57.9)				
BH□□-TS24-32	—	1 1/2" TS	1 1/2" TS		100			4.57 (116)	2.28 (57.9)		
BH□□-PS20-32	—	1 1/4 PS	1 1/4 PS	130		4.94 (125)	2.47 (62.5)				
BH□□-PS24-32	—	1 1/2 PS	1 1/2 PS		130			6.14 (156)	3.12 (78)		
BH□□-PB24-32	—	1 1/2 PB, Schedule Number: 80	1 1/2 PB, Schedule Number: 80	130		6.14 (156)	3.12 (78)				
BH□□-FNS32-38	BH□□-FNS32-38-3	2 Female NPT	2 Female NPT		130			4.94 (125)	2.47 (62.5)		
BH□□-FRT32-38	BH□□-FRT32-38-3	2 Female BSPT	2 Female BSPT	130		4.94 (125)	2.47 (62.5)				
BH□□-TS32-38	—	2" TS	2" TS		130			4.94 (125)	2.47 (62.5)		
BH□□-PS32-38	—	2 PS	2 PS	130		4.94 (125)	2.47 (62.5)				
BH□□-PB32-38	—	2 PB, Schedule Number: 80	2 PB, Schedule Number: 80		130			4.94 (125)	2.47 (62.5)		

1. FITOK means FITOK double ferrule tube fittings, TS means fractional tube socket weld, MTS means metric tube socket weld, TB means fractional tube butt weld, MTB means metric tube butt weld, PS means pipe socket weld, and PB means pipe butt weld.
2. Sizes and types listed are standard. Other sizes and types are available upon request, please contact FITOK Group or our authorized distributors.
3. Dimensions are shown with tube fitting nuts finger-tightened. All dimensions are for reference only and are subject to change. For dimensions not shown above, please contact FITOK Group or our authorized distributors.

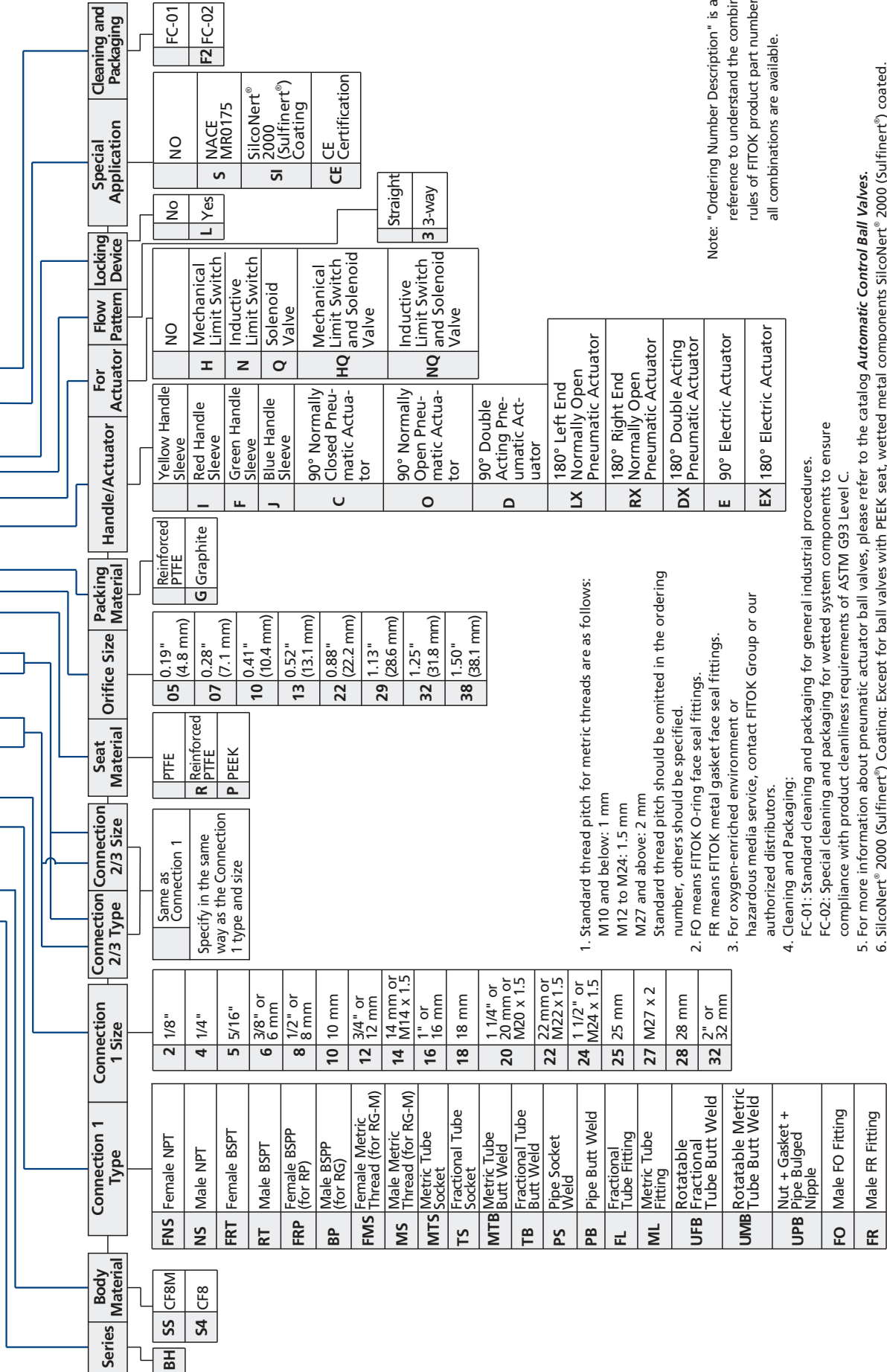
Locking Device

- ⊙ Lock the valve in the open or closed position.
- ⊙ To order a ball valve with locking device, add -L to the valve ordering number.
Example: BHSS-FL16-22-L



Ordering Number Description

BHS4 - FNS8 - FRT8 - FL8 - P13G - OHQ3L - SCEF2



Note: "Ordering Number Description" is a reference to understand the combination rules of FITOK product part number. Not all combinations are available.

- Standard thread pitch for metric threads are as follows:
M10 and below: 1 mm
M12 to M24: 1.5 mm
M27 and above: 2 mm
Standard thread pitch should be omitted in the ordering number, others should be specified.
- FO means FITOK O-ring face seal fittings.
FR means FITOK metal gasket face seal fittings.
- For oxygen-enriched environment or hazardous media service, contact FITOK Group or our authorized distributors.
- Cleaning and Packaging:
FC-01: Standard cleaning and packaging for general industrial procedures.
FC-02: Special cleaning and packaging for wetted system components to ensure compliance with product cleanliness requirements of ASTM G93 Level C.

- For more information about pneumatic actuator ball valves, please refer to the catalog **Automatic Control Ball Valves**.
- SilcoNert® 2000 (Sulfinert®) Coating: Except for ball valves with PEEK seat, wetted metal components SilcoNert® 2000 (Sulfinert®) coated.
- CE certification is available. For more information, please contact FITOK group or our authorized distributors

One-piece Instrumentation Ball Valves

BO Series

Features

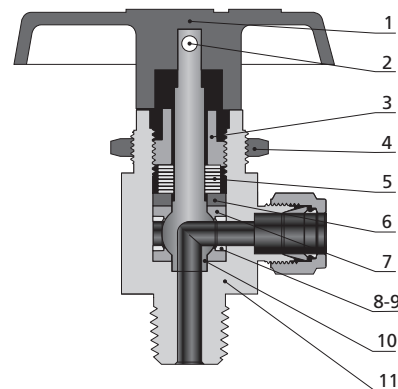
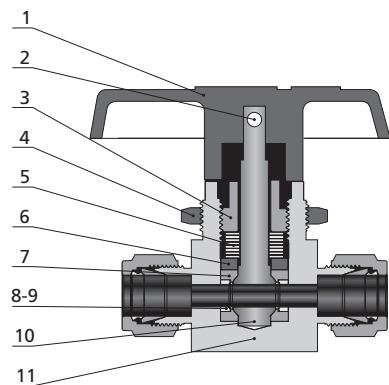
- ⦿ Working pressure up to: 3000 psig (207 bar)
- ⦿ Working temperature: -65°F to 300°F (-54°C to 148°C)
- ⦿ End connections:
1/4 to 1/2 thread
1/16" to 3/4" and 3 mm to 18 mm tube fitting
- ⦿ 2-, 3-, 4-, 5-, 6- and 7-way models for on-off, switching and crossover service available
- ⦿ One-piece body and one-piece ball stem
- ⦿ No dead space
- ⦿ Top-loaded design to allow adjustment with the valve in-line
- ⦿ Thermal cycle performance improved and wear compensated by live-loaded design
- ⦿ Any reasonable connections available
- ⦿ Pneumatic and electric actuator available
- ⦿ Handle color options available
- ⦿ Full operating pressure at any port
- ⦿ Leak-tight performance testing with nitrogen or compressed air for every valve at the rated pressure to meet the requirement of no visible leak
- ⦿ The inlet can be any port except for valves with vent ports



Note:

1. To prevent seat leakage, packing adjustment may be required periodically during the service life of the valve.
2. A higher initial actuation torque may happen to the valves that have not been cycled for a period of time.
3. Before installation, instrumentation ball valves exposed to dynamic temperature conditions may lose their initial packing load. Stem packing adjustment should be required.

Standard Materials of Construction



Item	Component	Valve Body Material		
		316 SS	Brass	Alloy 400
		Material Grade/ASTM Specification		
1	Handle	Nylon or Aluminium		
2	Set Screw	Galvanized carbon steel		
3	Packing Bolt	316 SS/A479	Brass C36000/B16	Alloy 400/B164
4	Panel Nut	316 SS/A479	Brass C36000/B16	316 SS/A479
5	Disc Spring	S17700/A693		
6	Gland	316 SS/A479	316 SS/A479	Alloy 400/B164
7	<i>Packing Seat</i>	<i>PTFE/D1710 or UHMWPE/D4020 or PFA/D3307</i>		
8	<i>Support Ring</i>	316 SS/A479	316 SS/A479	Alloy 400/B164
9	<i>Support Disc</i>			
10	<i>Ball Stem</i>	316 SS/A479	Brass C36000/B16	Alloy 400/B164
11	<i>Body</i>	316 SS/A182	Brass C37700/B283	Alloy 400/B164
<i>Wetted Lubricant</i>		<i>Fluorinated-based and silicone-based</i>		
Non-wetted Lubricant		Molybdenum disulfide with hydrocarbon binder coat		

Note: Wetted components are listed in italics.
For other materials, please contact FITOK Group or our authorized distributors.

On-Off (2-way) Valves

Standard Flow Path

Straight Pattern



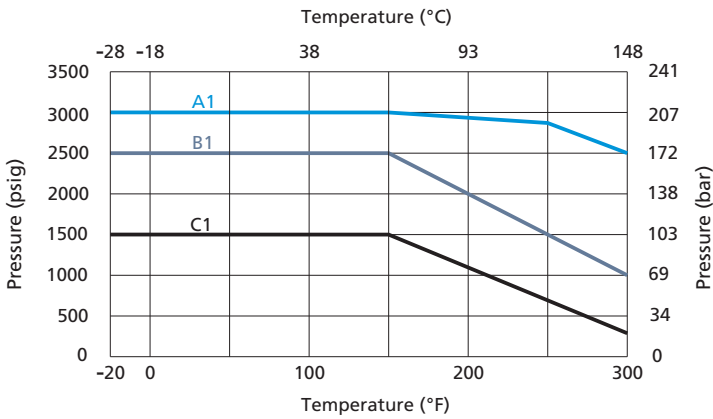
Angle Pattern



Pressure vs. Temperature

Straight Pattern and Angle Pattern

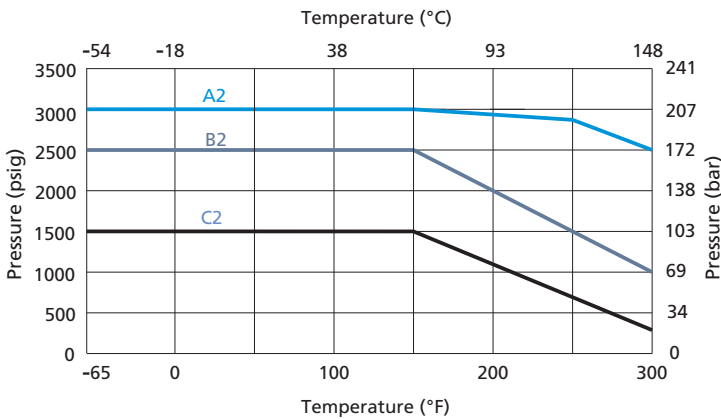
PTFE Packing Seat



- A1: Straight Pattern Valves (orifice 0.19")
- B1: Straight Pattern Valves (orifice 0.05" & 0.06" & 0.09" & 0.13" & 0.28" & 0.41")
Angle Pattern Valves (orifice 0.05" & 0.06" & 0.09" & 0.13" & 0.19")
- C1: Angle Pattern Valves (orifice 0.28" & 0.41")

PFA, UHMWPE Packing Seat

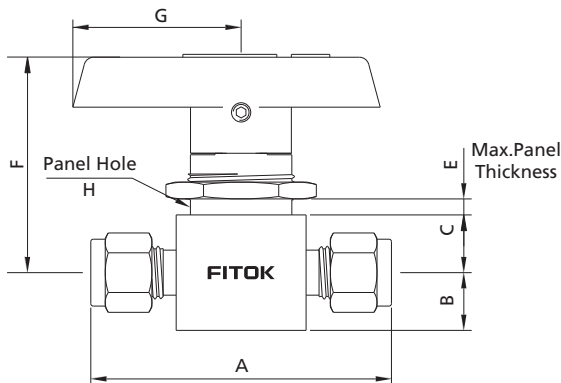
The working temperature of UHMWPE packing seat should not be higher than 150°F (65°C).



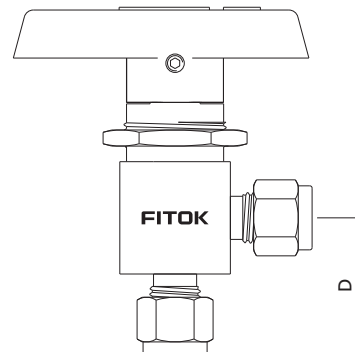
- A2: Straight Pattern Valves (orifice 0.19")
- B2: Straight Pattern Valves (orifice 0.05" & 0.06" & 0.09" & 0.13" & 0.28" & 0.41")
Angle Pattern Valves (orifice 0.05" & 0.06" & 0.09" & 0.13" & 0.19")
- C2: Angle Valves (orifice 0.28" & 0.41")

Dimensions

Straight Pattern



Angle Pattern

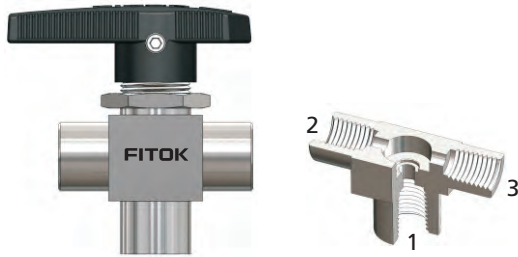


Basic Ordering Number	Connection Type and Size	Orifice in. (mm)	Cv		Dimensions, in. (mm)								
			Straight	Angle	A	B	C	D	E	F	G	H	
BO□□-FL1-00	1/16" FITOK	0.05 (1.3)	0.10	—	1.68 (42.7)								
BO□□-FL2-02	1/8" FITOK	0.09 (2.4)	0.20	0.15	2.01 (51.1)	0.28 (7.1)	0.34 (8.6)	0.97 (24.6)	0.25 (6.4)	1.43 (36.2)	1.10 (28)	19/32 (15.1)	
BO□□-FL4-03	1/4" FITOK	0.13 (3.2)	0.60	0.35	2.21 (56.1)			1.07 (27.2)					
BO□□-FL4-05		0.19 (4.8)	1.40	0.90	2.39 (60.7)	0.38 (9.7)	0.44 (11.2)	1.17 (29.7)	0.19 (4.8)	1.64 (41.7)	1.57 (39.9)	25/32 (19.8)	
BO□□-FL6-05	3/8" FITOK		1.50		2.58 (65.5)			1.29 (32.8)					
BO□□-FL6-07		0.28 (7.1)	6.00	2.00	3.05 (77.5)	0.56 (14.2)	0.56 (14.2)	1.43 (36.3)	0.35 (9)	2.19 (55.5)	2.05 (52)	1 1/8 (28.6)	
BO□□-FL8-10	1/2" FITOK	0.41 (10.3)	12.00	4.60	3.92 (99.6)	0.69 (17.5)	0.69 (17.5)	1.74 (44.2)	0.49 (12.5)	2.67 (67.7)	3.13 (79.6)	1 1/2 (38.1)	
BO□□-FL12-10	3/4" FITOK		6.40	3.80									
BO□□-ML3-02	3 mm FITOK	0.09 (2.4)	0.20	0.15	2.01 (51.1)	0.28 (7.1)	0.34 (8.6)	0.97 (24.6)	0.25 (6.4)	1.43 (36.2)	1.10 (28)	19/32 (15.1)	
BO□□-ML6-03	6 mm FITOK	0.13 (3.2)	0.60	0.35	2.21 (56.1)			1.07 (27.2)					
BO□□-ML6-05		0.19 (4.8)	1.40	0.90	2.39 (60.7)	0.38 (9.7)	0.44 (11.2)	1.17 (29.7)	0.19 (4.8)	1.64 (41.7)	1.57 (39.9)	25/32 (19.8)	
BO□□-ML8-05	8 mm FITOK		1.50		2.46 (62.5)			1.20 (30.5)					
BO□□-ML10-07	10 mm FITOK	0.28 (7.1)	6.00	2.00	3.07 (78.0)	0.56 (14.2)	0.56 (14.2)	1.43 (36.3)	0.35 (9)	2.19 (55.5)	2.05 (52)	1 1/8 (28.6)	
BO□□-ML12-10	12 mm FITOK	0.41 (10.3)	12.00	4.60	3.92 (99.6)	0.69 (17.5)	0.69 (17.5)	1.74 (44.2)	0.49 (12.5)	2.67 (67.7)	3.13 (79.6)	1 1/2 (38.1)	
BO□□-FNS2-03	1/8 Female NPT	0.13 (3.2)	0.50	0.30	1.63 (41.4)	0.28 (7.1)	0.34 (8.6)	0.81 (20.6)	0.25 (6.4)	1.43 (36.2)	1.10 (28)	19/32 (15.1)	
BO□□-FNS2-05		0.19 (4.8)	1.20	0.70	2.00 (50.8)	0.38 (9.7)	0.44 (11.2)	1.00 (25.4)	0.19 (4.8)	1.64 (41.7)	1.57 (39.9)	25/32 (19.8)	
BO□□-FNS4-05	1/4 Female NPT		0.90	0.75	2.06 (52.3)			1.03 (26.2)					
BO□□-FNS4-07		0.28 (7.1)	3.00	1.70	2.50 (63.5)	0.56 (14.2)	0.56 (14.2)	1.25 (31.8)	0.35 (9)	2.19 (55.5)	2.05 (52)	1 1/8 (28.6)	
BO□□-FNS6-07	3/8 Female NPT		2.60	1.50									
BO□□-FNS8-10	1/2 Female NPT	0.41 (10.3)	6.30	3.50	3.12 (79.2)	0.69 (17.5)	0.69 (17.5)	1.56 (39.6)	0.49 (12.5)	2.67 (67.7)	3.13 (79.6)	1 1/2 (38.1)	
BO□□-NS4-05	1/4 Male NPT	0.19 (4.8)	1.20	0.75	2.00 (50.8)	0.38 (9.7)	0.44 (11.2)	1.03 (26.2)	0.19 (4.8)	1.64 (41.7)	1.57 (39.9)	25/32 (19.8)	
BO□□-FRT4-05	1/4 Female BSPT		0.90			2.06 (52.3)							
BO□□-FRT6-07	3/8 Female BSPT	0.28 (7.1)	2.60	—	2.50 (63.5)	0.56 (14.2)	0.56 (14.2)	—	0.35 (9)	2.19 (55.5)	2.05 (52)	1 1/8 (28.6)	
BO□□-FRT8-10	1/2 Female BSPT	0.41 (10.3)	6.30	—	3.12 (79.2)	0.69 (17.5)	0.69 (17.5)	—	0.49 (12.5)	2.67 (67.7)	3.13 (79.6)	1 1/2 (38.1)	
BO□□-FO4-03	1/4 Male FO	0.13 (3.2)	0.60	0.35	1.75 (44.4)		0.34 (8.6)	0.94 (23.9)	0.25 (6.4)	1.43 (36.2)	1.10 (28)	19/32 (15.1)	
BO□□-FO4-05		0.19 (4.8)	2.40	0.90	1.88 (47.8)	0.38 (9.7)	0.44 (11.2)		0.19 (4.8)	1.64 (41.7)	1.57 (39.9)	25/32 (19.8)	
BO□□-FR4-03	1/4 Male FR	0.13 (3.2)	0.60	0.35	2.13 (54.1)		0.34 (8.6)	1.09 (27.7)	0.25 (6.4)	1.43 (36.2)	1.10 (28)	19/32 (15.1)	
BO□□-FR4-05		0.19 (4.8)	2.40	0.90			0.44 (11.2)		0.19 (4.8)	1.64 (41.7)	1.57 (39.9)	25/32 (19.8)	
BO□□-FR8-07	1/2 Male FR	0.28 (7.1)	6.00	—	2.88 (73.2)	0.56 (14.2)	—	—	0.35 (9)	2.19 (55.5)	2.05 (52)	1 1/8 (28.6)	
BO□□-FR8-10		0.41 (10.3)	12.00	—	3.12 (79.2)	0.69 (17.5)	—	—	0.49 (12.5)	2.67 (67.7)	3.13 (79.6)	1 1/2 (38.1)	

Switching (3-, 4-, 5-, 6- and 7-way) Valves

Standard Flow Path

3-way Valves

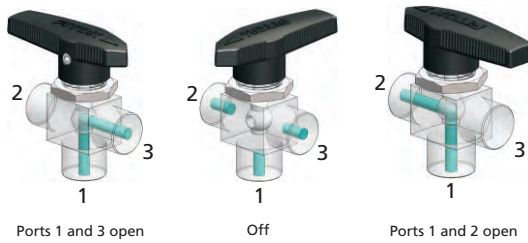


4-way Valves



3L Flow Path

This type of valve can connect one side port to the bottom port or shut off 3 ports. Switch between 0°, 90° and 180° positions with 180° rotation handle.

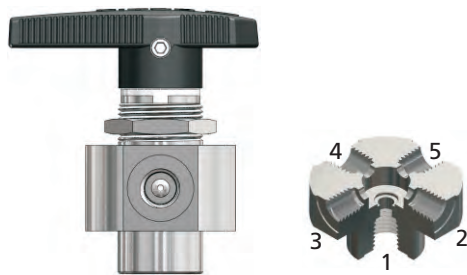


4L Flow Path

This type of valve can connect one side port to the bottom port, and shut off other 2 side ports at the same time. Switching can be done in 120° increments with 360° rotation handle.

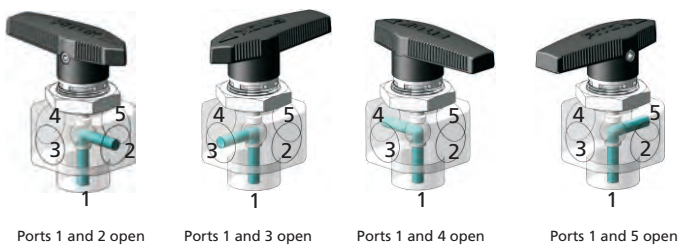


5-way Valves

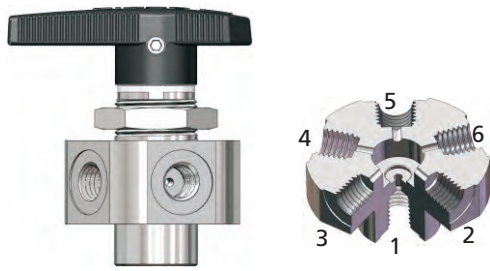


5L Flow Path

This type of valve can connect one side port to the bottom port, and shut off other 3 side ports at the same time. Switching can be done in 90° increments with 360° rotation handle.

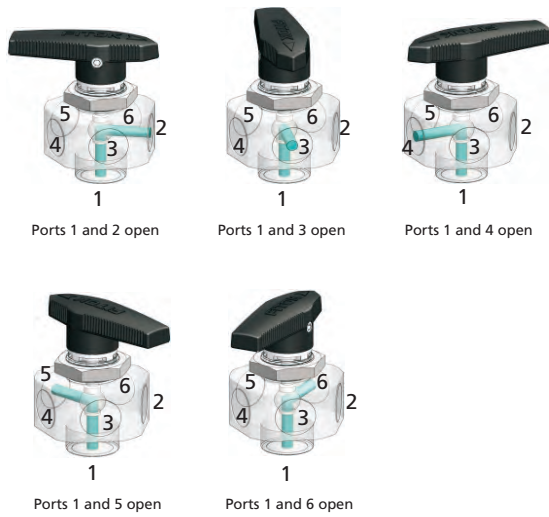


6-way Valves

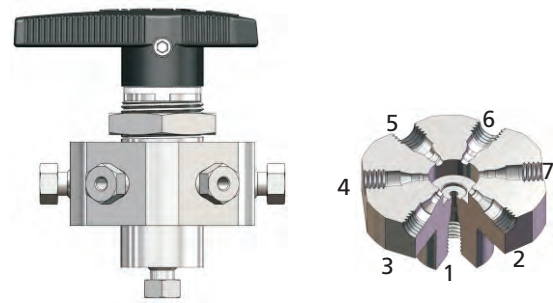


6L Flow Path

This type of valve can connect one side port to the bottom port, and shut off other 4 side ports at the same time. Switching can be done in 72° increments with 360° rotation handle.

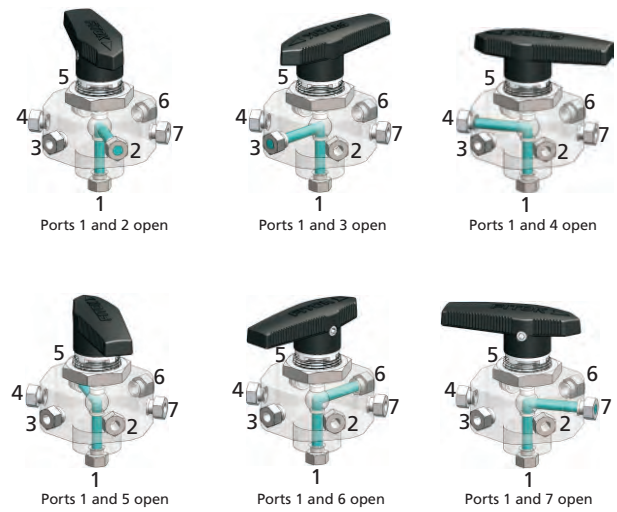


7-way Valves



7L Flow Path

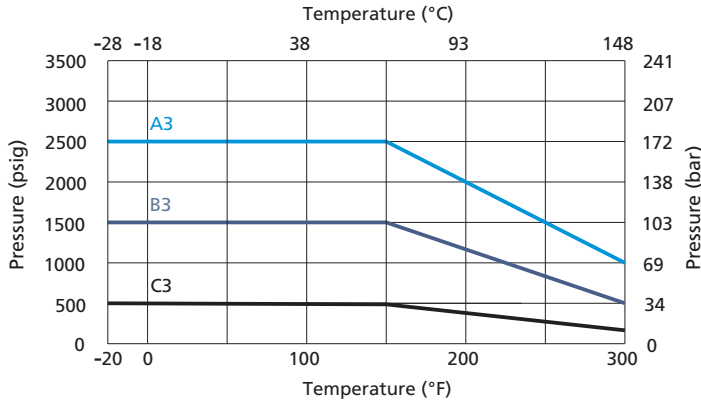
This type of valve can connect one side port to the bottom port, and shut off other 5 side ports at the same time. Switching can be done in 60° increments with 360° rotation handle.



Pressure vs. Temperature

Switching Valves

PTFE Packing Seat



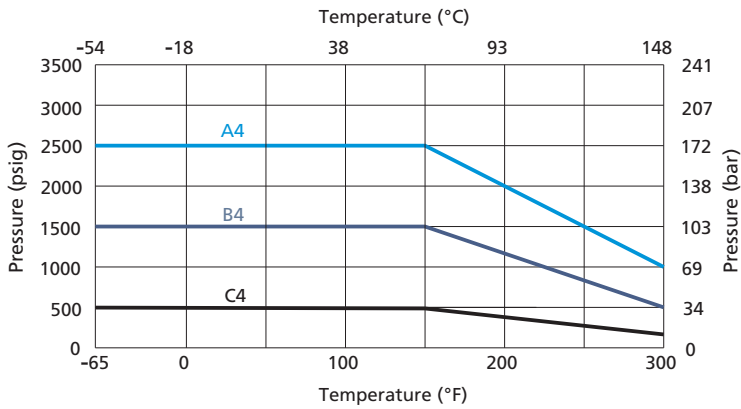
A3: 3-way (orifice 0.05" & 0.06" & 0.09" & 0.13" & 0.19")
4-way / 5-way (orifice 0.06")

B3: 3-way (orifice 0.28" & 0.41")
4-way / 5-way (orifice 0.41")

C3: 6-way / 7-way (orifice 0.05" & 0.06")

PFA, UHMWPE Packing Seat

The working temperature of UHMWPE packing seat should not be higher than 150°F (65°C).



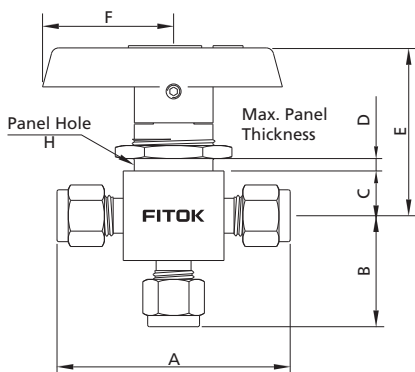
A4: 3-way (orifice 0.05" & 0.06" & 0.09" & 0.13" & 0.19")
4-way / 5-way (orifice 0.06")

B4: 3-way (orifice 0.28" & 0.41")
4-way / 5-way (orifice 0.41")

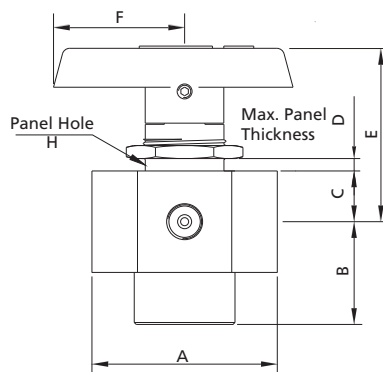
C4: 6-way / 7-way (orifice 0.05" & 0.06")

Dimensions

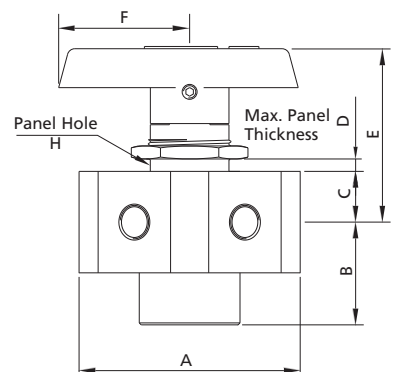
3-way Valves



4-and 5-way Valves



6-and 7-way Valves

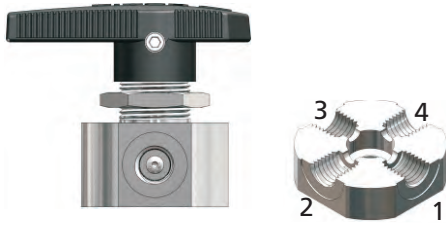


Basic Ordering Number	Connection Type and Size	Orifice in. (mm)	Cv	Dimensions, in. (mm)							
				A	B	C	D	E	F	H	
3-way Valves											
BO□□-FL1-00-3L	1/16" FITOK	0.05 (1.3)	0.08	1.68 (42.7)	0.81 (20.6)						
BO□□-FL2-02-3L	1/8" FITOK	0.09 (2.4)	0.15	2.01 (51.1)	0.97 (24.6)	0.34 (8.6)	0.25 (6.4)	1.43 (36.2)	1.10 (28)	19/32 (15.1)	
BO□□-FL4-03-3L	1/4" FITOK	0.13 (3.2)	0.35	2.21 (56.1)	1.07 (27.2)						
BO□□-FL4-05-3L		0.19 (4.8)	0.90	2.39 (60.7)	1.17 (29.7)	0.44 (11.2)	0.19 (4.8)	1.64 (41.7)	1.57 (39.9)	25/32 (19.8)	
BO□□-FL6-07-3L	3/8" FITOK	0.28 (7.1)	2.00	2.89 (73.4)	1.43 (36.3)	0.56 (14.2)	0.35 (9)	2.19 (55.5)	2.05 (52)	11/8 (28.6)	
BO□□-FL8-10-3L	1/2" FITOK	0.41 (10.3)	4.60	3.48 (88.4)	1.74 (44.2)	0.69 (17.5)	0.49 (12.5)	2.67 (67.7)	3.13 (79.6)	11/2 (38.1)	
BO□□-FL12-10-3L	3/4" FITOK		4.90								
BO□□-ML3-02-3L	3 mm FITOK	0.09 (2.4)	0.15	2.01 (51.1)	0.97 (24.6)	0.34 (8.6)	0.25 (6.4)	1.43 (36.2)	1.10 (28)	19/32 (15.1)	
BO□□-ML6-03-3L	6 mm FITOK	0.13 (3.2)	0.35	2.21 (56.1)	1.07 (27.2)						
BO□□-ML6-05-3L		8 mm FITOK	0.19 (4.8)	0.90	2.39 (60.7)	1.17 (29.7)	0.44 (11.2)	0.19 (4.8)	1.64 (41.7)	1.57 (39.9)	25/32 (19.8)
BO□□-ML8-05-3L	0.80			2.46 (62.5)	1.20 (30.5)						
BO□□-ML10-07-3L	10 mm FITOK	0.28 (7.1)	2.00	2.89 (73.4)	1.43 (36.3)	0.56 (14.2)	0.35 (9)	2.19 (55.5)	2.05 (52)	1 1/8 (28.6)	
BO□□-ML12-10-3L	12 mm FITOK	0.41 (10.3)	4.60	3.48 (88.4)	1.74 (44.2)	0.69 (17.5)	0.49 (12.5)	2.67 (67.7)	3.13 (79.6)	1 1/2 (38.1)	
BO□□-FNS2-03-3L	1/8 Female NPT	0.13 (3.2)	0.30	1.63 (41.4)	0.81 (20.6)	0.34 (8.6)	0.25 (6.4)	1.43 (36.2)	1.10 (28)	19/32 (15.1)	
BO□□-FNS4-05-3L	1/4 Female NPT	0.19 (4.8)	0.75	2.06 (52.3)	1.03 (26.2)	0.44 (11.2)	0.19 (4.8)	1.64 (41.7)	1.57 (39.9)	25/32 (19.8)	
BO□□-FNS4-07-3L		0.28 (7.1)	1.70	2.5 (63.5)	1.18 (30)	0.56 (14.2)	0.35 (9)	2.19 (55.5)	2.05 (52)	1 1/8 (28.6)	
BO□□-FNS6-07-3L	3/8 Female NPT		1.50								
BO□□-FNS8-10-3L	1/2 Female NPT	0.41 (10.3)	3.50	3.13 (79.5)	1.56 (39.6)	0.69 (17.5)	0.49 (12.5)	2.67 (67.7)	3.13 (79.6)	1 1/2 (38.1)	
BO□□-FRT4-05-3L	1/4 Female BSPT	0.19 (4.8)	0.75	2.06 (52.3)	1.03 (26.2)	0.44 (11.2)	0.19 (4.8)	1.64 (41.7)	1.57 (39.9)	25/32 (19.8)	
BO□□-FRT6-07-3L	3/8 Female BSPT	0.28 (7.1)	1.50	2.5 (63.5)	1.18 (30)	0.56 (14.2)	0.35 (9)	2.19 (55.5)	2.05 (52)	1 1/8 (28.6)	
BO□□-FRT8-10-3L	1/2 Female BSPT	0.41 (10.3)	3.50	3.13 (79.5)	1.56 (39.6)	0.69 (17.5)	0.49 (12.5)	2.67 (67.7)	3.13 (79.6)	1 1/2 (38.1)	
4 - & 5-way Valves											
BO□□-FL2-01-4L	1/8" Female FITOK Tube Fitting	0.06 (1.6)	0.07	2.36 (60)	1.32 (33.5)	0.44 (11.2)	0.20 (5.2)	1.76 (44.6)	1.57 (39.9)	29/32 (23.1)	
BO□□-FL2-01-5L				1.85 (47)	0.88 (22.4)						
BO□□-FNS2-01-4L	1/8 Female NPT	0.06 (1.6)	0.07	1.55 (39.4)							
BO□□-FNS2-01-5L											
BO□□-FNS8-10-4L	1/2 Female NPT	0.41 (10.3)	3.50	3.13 (79.5)	1.56 (39.6)	0.69 (17.5)	0.41 (10.5)	2.67 (70.2)	2.63 (66.7)	1 1/2 (38.1)	
BO□□-FNS8-10-5L											
6 - & 7-way Valves											
BO□□-FL1-00-6L	1/16" Female FITOK Tube Fitting	0.05 (1.3)	0.05	2.64 (67)	1.32 (33.5)	0.44 (11.2)	0.28 (7)	1.76 (44.6)	1.57 (39.9)	29/32 (23.1)	
BO□□-FL1-00-7L											
BO□□-FL2-01-6L	1/8" Female FITOK Tube Fitting	0.06 (1.6)	0.07	2.26 (57.6)	0.97 (24.7)						
BO□□-FL2-01-7L											

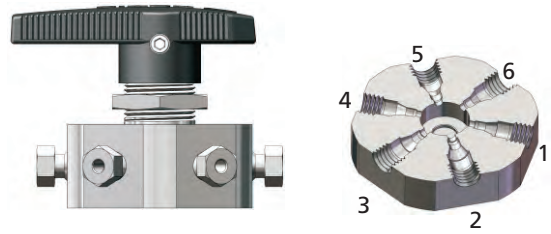
Crossover (4-, 6-way) Valves

Standard Flow Path

4-way Valves

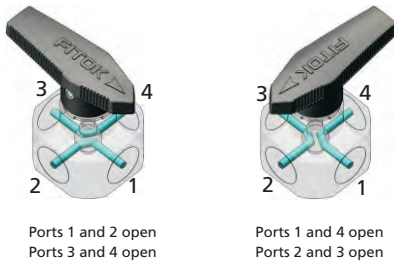


6-way Valves



4C Flow Path

This type of valve can connect two groups of adjacent ports at the same time. Switch between 0° and 90° positions with 90° rotation handle.

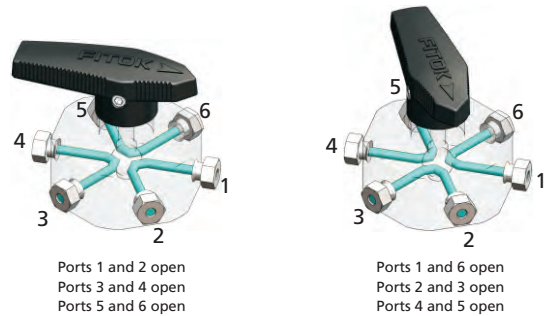


Ports 1 and 2 open
Ports 3 and 4 open

Ports 1 and 4 open
Ports 2 and 3 open

6C Flow Path

This type of valve can connect three groups of adjacent ports at the same time. Switch between 0° and 60° positions with 60° rotation handle.



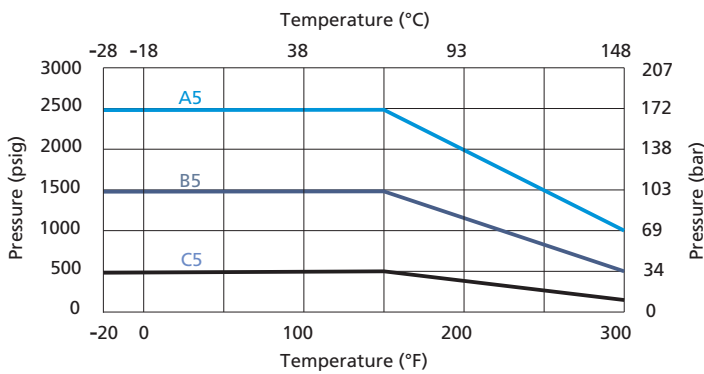
Ports 1 and 2 open
Ports 3 and 4 open
Ports 5 and 6 open

Ports 1 and 6 open
Ports 2 and 3 open
Ports 4 and 5 open

Pressure vs. Temperature

Crossover Valves

PTFE Packing Seat



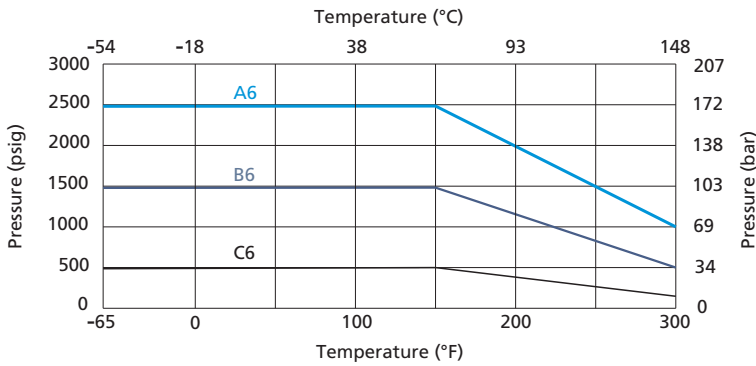
A5: 4-way (orifice 0.06")

B5: 4-way (orifice 0.41")

C5: 6-way (orifice 0.05" & 0.06")

PFA, UHMWPE Packing Seat

The working temperature of UHMWPE packing seat should not be higher than 150°F (65°C).

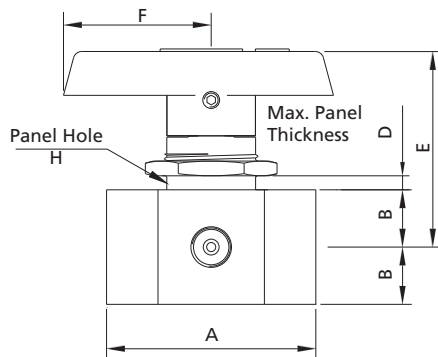


- A6: 4-way (orifice 0.06")
- B6: 6-way (orifice 0.41")
- C6: 6-way (orifice 0.05" & 0.06")

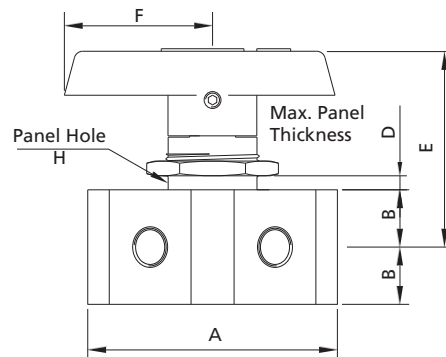
Ball Valves
Plug Valves

Dimensions

4-way Valves



6-way Valves



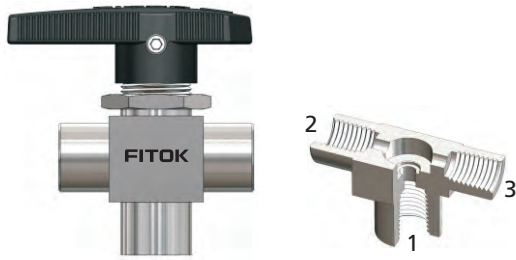
Basic Ordering Number	Connection Type and Size	Orifice in. (mm)	Cv	Dimensions, in. (mm)						
				A	B	D	E	F	H	
4-way Valve										
BO□□-FL1-00-4C	1/16" Female FITOK Tube Fitting	0.05 (1.3)	0.06	1.95 (49.6)						
BO□□-FL2-01-4C	1/8" Female FITOK Tube Fitting	0.06 (1.6)	0.08	2.61 (66.3)	0.44 (11.2)	0.19 (4.8)	1.64 (41.7)	1.57 (39.9)	25/32 (19.8)	
BO□□-FNS2-01-4C	1/8 Female NPT			1.55 (39.4)						
BO□□-FNS8-07-4C	1/2 Female NPT	0.28 (7.1)	1.60	3.13 (79.5)	0.69 (17.5)	0.48 (12.2)	2.67 (67.7)	3.13 (79.6)	1 1/2 (38.1)	
6-way Valve										
BO□□-FL1-00-6C	1/16" Female FITOK Tube Fitting	0.05 (1.3)	0.06	1.95 (49.5)	0.44 (11.2)	0.19 (4.8)	1.68 (42.7)	1.53 (38.9)	29/32 (23.1)	
BO□□-FL2-01-6C	1/8" Female FITOK Tube Fitting	0.06 (1.6)	0.08	2.59 (65.8)						

Note: Connection type for ball valves in 4L, 5L, 6L, 7L, 4C, 6C, 4H, 4HL, 4V, 5HL, 5H and 5LV flow path is female FITOK tube fitting, which can not be used directly with standard FT and MT connections. Please contact FITOK Group or authorized distributors for use with standard FT and MT connections.

1. FITOK means FITOK double ferrule tube fittings.
 2. Sizes and types listed are standard. Other sizes and types are available upon request, please contact FITOK Group or our authorized distributors.
 3. Dimensions are shown with tube fitting nuts finger-tightened. All dimensions are for reference only and are subject to change.
- For dimensions not shown above, please contact FITOK Group or our authorized distributors.

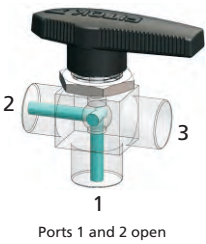
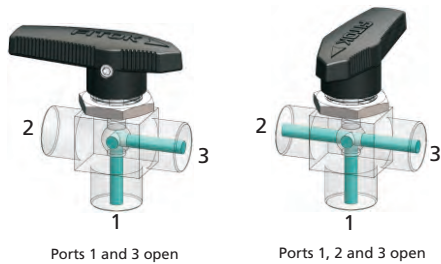
Special Flow Path

3-way Valves



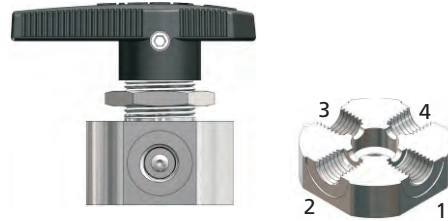
3HL Flow Path

This type of valve can connect one side port to the bottom port, or connect two side ports to the bottom port. Switching can be done in 90° increments with 180° rotation handle.



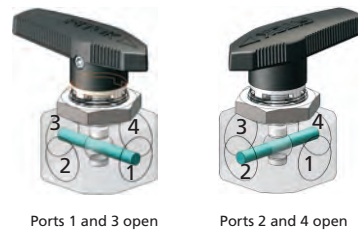
Note: For Temperature VS. Pressure curves and dimensions of 3-way valves, see Switching (3-way) Valves above. For Temperature VS. Pressure curves and dimensions of 4-way valves, see Crossover (4-way) Valves above.

4-way Valves



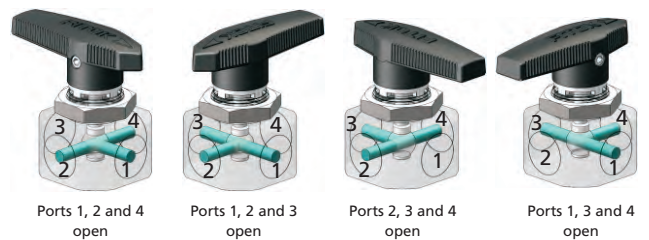
4H Flow Path

This type of valve can connect two opposite ports. Switch between 0° and 90° positions with 90° rotation handle.



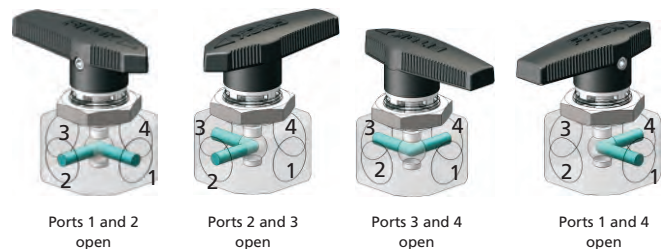
4HL Flow Path

This type of valve can connect three adjacent ports and shut off other ports. Switching can be done in 90° increments with 360° rotation handle.

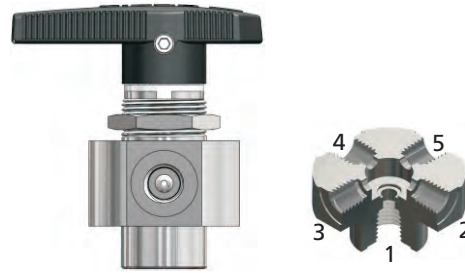


4V Flow Path

This type of valve can connect two adjacent ports and shut off other ports. Switching can be done in 90° increments with 360° rotation handle.



5-way Valves

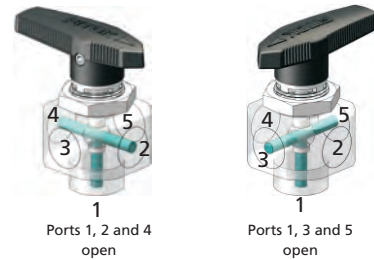
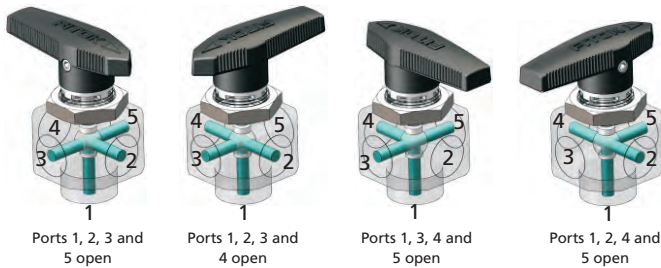


5HL Flow Path

This type of valve can connect three side ports to the bottom port, and shut off the fourth side port at the same time. Switching can be done in 90° increments with 360° rotation handle.

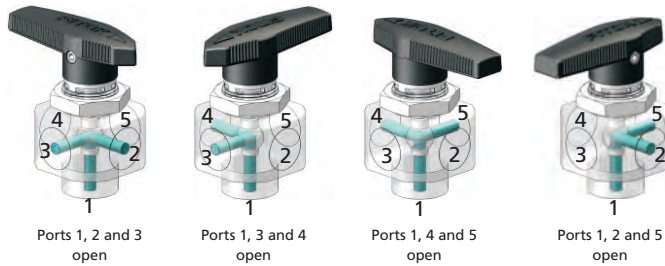
5H Flow Path

This type of valve can connect the bottom port to port 2 and port 4, or connect the bottom port to port 3 and port 5. Switch between 0° and 90° positions with 90° rotation handle.



5LV Flow Path

This type of valve can connect two adjacent ports to the bottom port, and shut off other two side ports at the same time. Switching can be done in 90° increments with 360° rotation handle.



Note: For Temperature vs. Pressure curve and dimensions of 5-way valves, see Switching (5-way) Valves above.

Vent Port Options

Vented Valves

The maximum working pressure for vented valves is 500 psig (34.4 bar).

Straight-pattern Valves

A vent hole in the side of the valve body makes the downstream port vent to atmosphere when the valve is closed.

Angle-pattern and 3-way Valves

A vent hole in the side of the valve body makes the bottom port vent to atmosphere when the valve is closed.

Welded Vent Port Connections

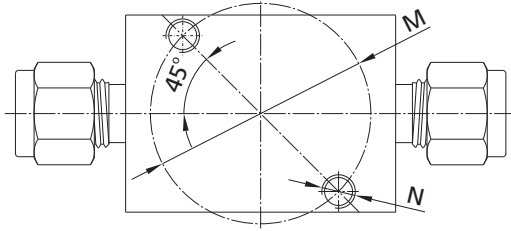
A FITOK tube fitting or a tube stub welded to the vent port is available for stainless steel vented valves.

Bottom Screw Panel Mounting Options

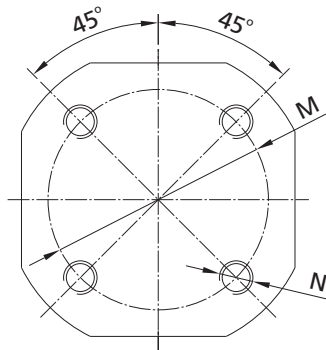
Mounting Dimensions

The bottom screw panel mounting options are not available on angle-pattern valves, 3-way valves, 6-way valves and 7-way valves.

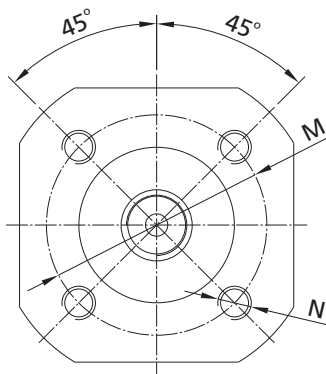
2-way



4-way

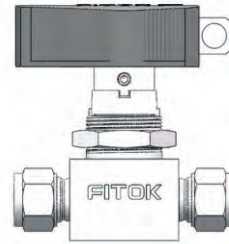
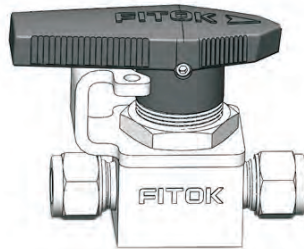


5-way



	Orifice in. (mm)	Dimensions, in. (mm)	
		M	N
2-way	0.05~0.13 (1.3~3.2)	0.63 (15.88)	M2.5 x 0.45 deep 0.24" (6)
	0.19 (4.8)	0.88 (22.23)	M3 x 0.5 deep 0.24" (6)
	0.28 (7.1)	1.25 (31.75)	M5 x 0.8 deep 0.24" (6)
4-way	0.41 (10.3)	1.63 (41.28)	M5 x 0.8 deep 0.24" (6)
	0.05~0.06 (1.3~1.6)	1.25 (31.75)	M5 x 0.8 deep 0.24" (6)
5-way	0.28 (7.1)	2.00 (50.8)	M5 x 0.8 deep 0.24" (6)
	0.05~0.06 (1.3~1.6)	1.25 (31.75)	M5 x 0.8 deep 0.24" (6)
5-way	0.41 (10.3)	2.00 (50.8)	M5 x 0.8 deep 0.24" (6)

Locking Device



- ⊙ Lock the valve in the open or closed position, for 2-way valves only.
- ⊙ For nylon handle only, panel mounting not available.
- ⊙ To order a ball valve with locking device, add -LH to the valve ordering number.
Example: BOSS-FL6-07-LH

- ⊙ Lock the valve in the open or closed position, for 2-way valves or multi-way valves.
- ⊙ To order a ball valve with locking device, add -LK to the valve ordering number.
Example: BOSS-ML6-05-LK

Ordering Number Description

BOSS - ML6 - FL4 - ML8 - H05 - OHQ3L - BLH - FL4 - SF2

Series	Body Material	Connection 1 Type	Connection 1 Size	Connection 2 to 7 Type	Connection 2 to 7 Size	Seat Material	Orifice Size	Handle/Actuator	For Actuator	Flow Pattern	Panel Installation	Locking Device	Vent Port	Special Application	Cleaning and Packaging				
BO	SS 316 SS	FNS Female NPT	1 1/16"	Same as connection 1 Specified in the same way as the connection 1 type and size	2 to 7 Size	00 0.05" (1.3 mm)	Black Nylon Handle	NO	Straight	No vent port			FC-01						
	S4 304 SS	NS Male NPT	2 1/8"			01 0.06" (1.6 mm)	I Red Nylon Handle	H Mechanical Limit Switch	A Angle	FL2 1/8" tube fitting		NO			S NACE MR0175				
	S1 321 SS	FRT Female BSPT	3 3 mm			02 0.09" (2.4 mm)	F Green Nylon Handle	N Inductive Limit Switch	3L 3-way	FL4 1/4" tube fitting		SI SilcoNert® 2000 (Sulfinert®) Coating							
	6L 316L SS	RT Male BSPT	4 1/4"			03 0.13" (3.2 mm)	J Blue Nylon Handle	Q Solenoid Valve	4L 4-way	FL6 3/8" tube fitting		CE CE Certification							
	B Brass	FMS Female Metric Thread (for RG-M)	6 3/8" or 6 mm			05 0.19" (4.8 mm)	U Black Aluminium Handle	HQ and Solenoid Valve	4H 4-way	ML3 3 mm tube fitting									
	M Alloy 400	MS Male Metric Thread (for RG-M)	8 1/2" or 8 mm			07 0.28" (7.1 mm)	C 90° Normally Closed Pneumatic Actuator	Inductive Limit Switch and Solenoid Valve	4HL 4-way	ML6 6 mm tube fitting									
		FRP Female BSPP (for RP)	10 10 mm			10 10 mm	O 90° Normally Open Pneumatic Actuator	Inductive Limit Switch and Solenoid Valve	4V 4-way	ML8 8 mm tube fitting									
		FL Fractional Tube Fitting	12 3/4" or 12 mm			12 3/4" or 12 mm	D 90° Double Acting Pneumatic Actuator		5L 5-way										
		ML Metric Tube Fitting	14 14 mm			14 14 mm			5H 5-way										
		FO Male FO Fitting	16 16 mm			16 16 mm			5HL 5-way										
		FR Male FR Fitting	18 18 mm			18 18 mm			5LV 5-way										
									6L 6-way										
									6C 6-way										
									7L 7-way										

Note: "Ordering Number Description" is a reference to understand the combination rules of FITOK product part number. Not all combinations are available.

- For oxygen-enriched environment or hazardous media service, contact FITOK Group or our authorized distributors.
- Cleaning and Packaging:
 FC-01: Standard cleaning and packaging for general industrial procedures.
 FC-02: Special cleaning and packaging for wetted system components to ensure compliance with product cleanliness requirement of ASTM G93 Level C.
- For more information about pneumatic actuator ball valves, please refer to the catalog **Automatic Control Ball Valves**.
- SilcoNert® 2000 (Sulfinert®) Coating: Wetted metal components SilcoNert® 2000 (Sulfinert®) coated.
- CE certification is available. For more information, please contact FITOK group or our authorized distributors.

Bar Stock Ball Valves

BP Series

Features

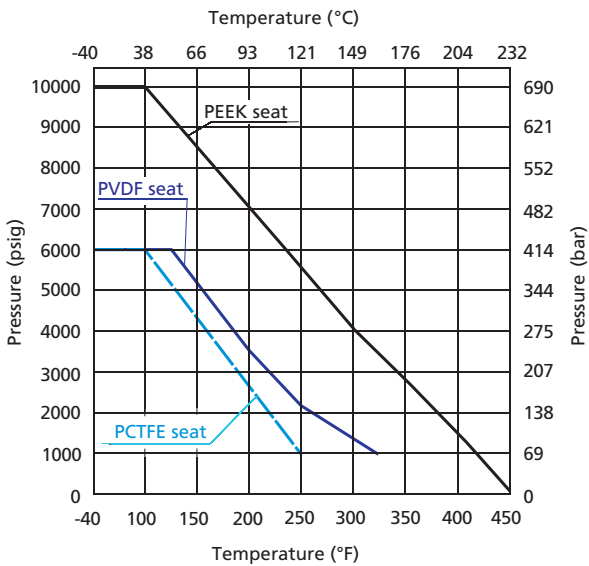
- ⦿ Working pressure up to: 10000 psig (690 bar)
- ⦿ Working temperature: -40°F to 450°F (-40°C to 232°C)
- ⦿ Bidirectional flow for 2-way valves
- ⦿ Seat wear compensation by free floating ball
- ⦿ Variety of end connections
- ⦿ Blowout proof stem with self-sealing function
- ⦿ Handle color options available
- ⦿ Optional pneumatic and electric actuator
- ⦿ Leak-tight performance testing with nitrogen or compressed air for every valve at the rated pressure (not higher than 6000 psig) to meet the requirement of no visible leak
- ⦿ Restricted flow path for BP series: only port 1 as inlet, port 2 and port 3 as outlet



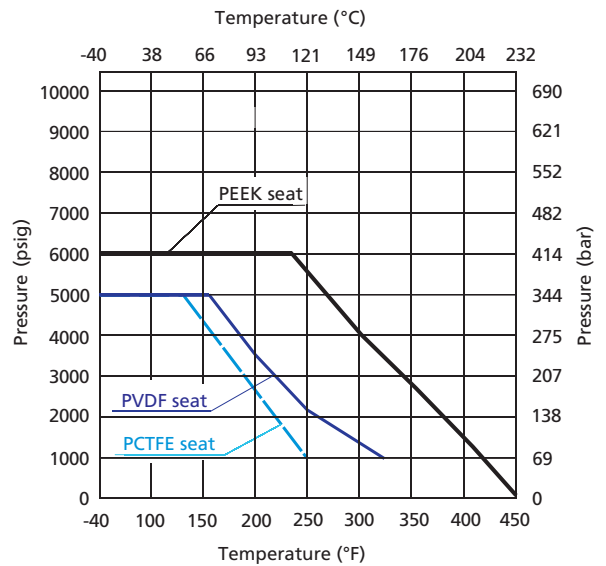
Pressure vs. Temperature

2-way Valves

Orifice code: 10

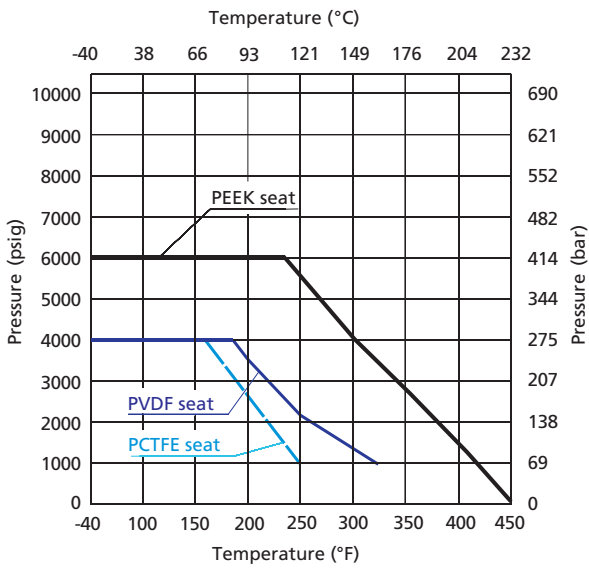


Orifice code: 13 and 19

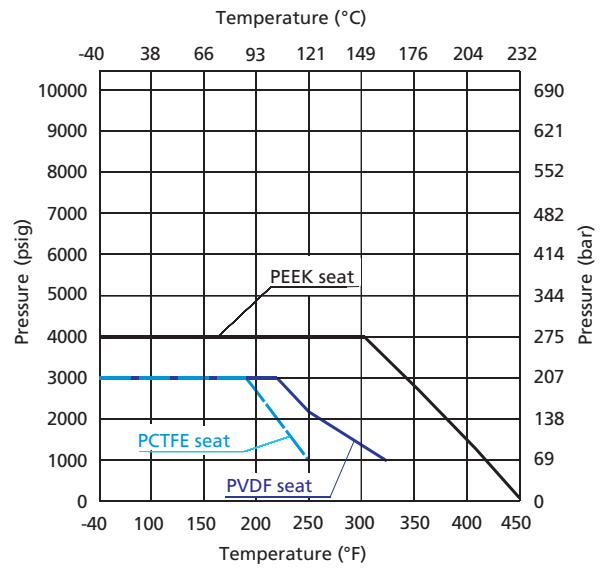


3-way Valves

Orifice code: 10



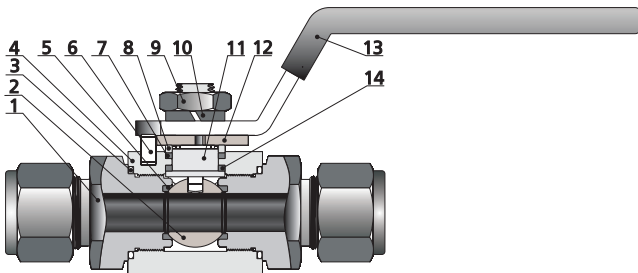
Orifice code: 13 and 19



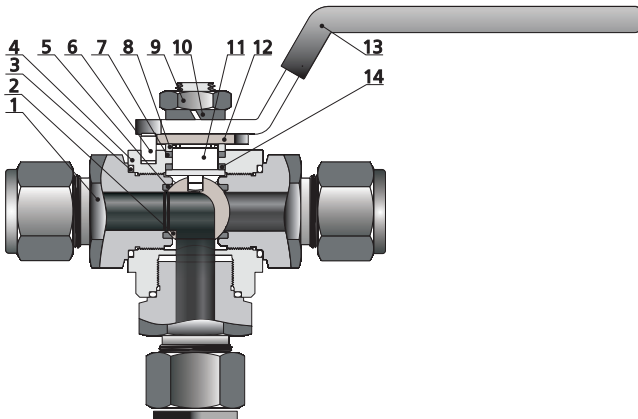
Note: 1. Graphs are with 316 SS body. For information of body in other materials, please contact FITOK Group or our authorized distributors.
 2. The working pressure of valves is restricted by materials of the valve body and seat, as well as end connections. When choosing a valve for your applications, please refer to the above Temperature vs. Pressure Curves and the pressure rating in the dimension table. The minimum value shall be the pressure rating of the valve.

Standard Materials of Construction

2-way Valves



3-way Valves



Item	Component	Body Material
		316 SS
1	<i>End Connection</i>	<i>316 SS/A479</i>
2	<i>Ball</i>	<i>316 SS/A479</i>
3	<i>O-ring</i>	<i>Fluorocarbon FKM</i>
4	<i>Body</i>	<i>316 SS/A479</i>
5	<i>Seat</i>	<i>PVDF or PCTFE or PEEK</i>
6	<i>Stop Pin</i>	SS
7	<i>Stem Packing</i>	<i>PTFE/D1710</i>
8	<i>Stem Washer</i>	316 SS/A479
9	<i>Stem Nut</i> ①	SS
10	<i>Spring Washer</i>	SS
11	<i>Stem</i>	<i>316 SS/A479</i>
12	<i>Stop Block</i>	304 SS/A240
13	<i>Handle</i>	SS with vinyl cover
14	<i>Lower Packing</i> ②	PEEK

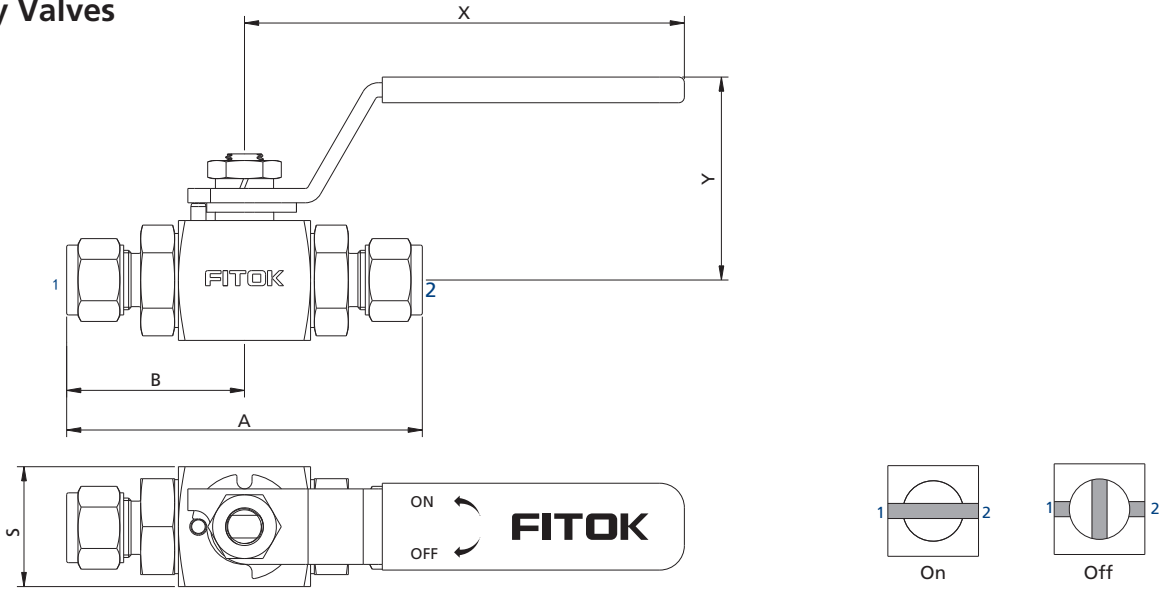
Note: Wetted components are listed in italics.
 For other materials, please contact FITOK Group or our authorized distributors.

- ① Ball valves with orifice code 13 or 19 have 2 stem nuts.
- ② Lower packing material of ball valves with orifice code 19 is PTFE.

Ball Valves
Plug Valves

Dimensions

2-way Valves

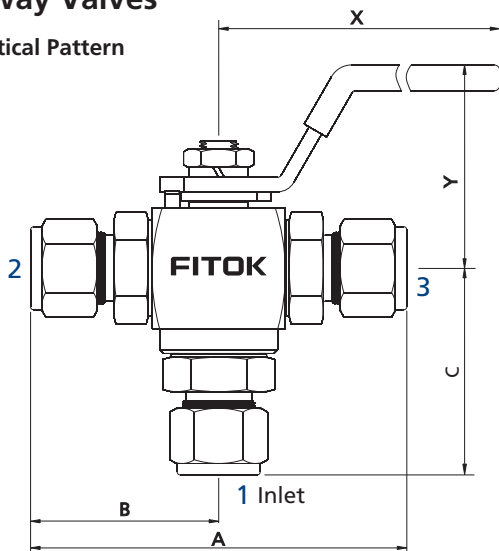


Ball Valves
Plug Valves

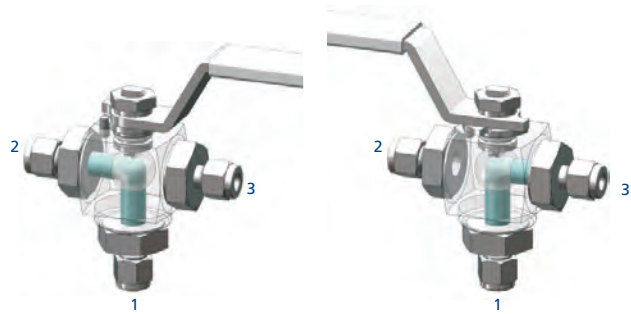
Basic Ordering Number	Connection Type and Size	Pressure Rating of End Connections @ 100°F (38°C), psig (bar)	Orifice in. (mm)	Cv	Dimensions, in. (mm)									
					A	B	X	Y	S					
BP□□-ML6-10	6 mm FITOK	10000 (690)	0.19(4.8)	1.2	3.54 (90.0)	1.77 (45.0)	4.57 (116.0)	2.10 (53.4)	1.30 (32.0)					
BP□□-ML8-10	8 mm FITOK	7500 (517)	0.25(6.4)	2.3	3.60 (91.6)	1.80 (45.8)								
BP□□-ML10-10	10 mm FITOK	8400 (579)	0.28(7.1)	3.7	3.70 (94.0)	1.85 (47.0)								
BP□□-ML12-10	12 mm FITOK	6800 (469)	0.39 (10.0)	7.5	3.94 (100.0)	1.97 (50.0)								
BP□□-ML14-10	14 mm FITOK	6200 (427)			3.94 (100.0)	1.97 (50.0)								
BP□□-FL4-10	1/4" FITOK	10000 (690)	0.19(4.8)	1.2	3.56 (90.4)	1.78 (45.2)								
BP□□-FL6-10	3/8" FITOK	6500 (448)	0.39 (10.0)	7.5	3.72 (94.6)	1.86 (47.3)								
BP□□-FL8-10	1/2" FITOK	6700 (462)			3.92 (99.6)	1.96 (49.8)								
BP□□-FNS4-10	1/4 Female NPT	10000 (690)			3.03 (77.0)	1.52 (38.5)								
BP□□-FNS6-10	3/8 Female NPT	10000 (690)			2.80 (71.0)	1.40 (35.5)								
BP□□-FNS8-10	1/2 Female NPT	10000 (690)			3.27 (83.0)	1.63 (41.5)								
BP□□-NS4-10	1/4 Male NPT	10000 (690)	0.28(7.1)	3.7	3.36 (85.4)	1.68 (42.7)								
BP□□-NS6-10	3/8 Male NPT	10000 (690)	0.39 (10.0)	7.5	3.75 (95.2)	1.88 (47.6)								
BP□□-NS8-10	1/2 Male NPT	10000 (690)			3.75 (95.2)	1.88 (47.6)								
BP□□-ML16-13	16 mm FITOK	5800 (400)			4.42 (112.2)	2.21 (56.1)								
BP□□-ML18-13	18 mm FITOK	5400 (372)	0.50 (12.7)	10.0	4.12 (104.6)	2.06 (52.3)	5.59 (142.0)	2.54 (64.4)	1.50 (38.0)					
BP□□-ML20-13	20 mm FITOK	5500 (379)			4.43 (112.6)	2.22 (56.3)								
BP□□-ML22-13	22 mm FITOK	4900 (338)			4.29 (109.0)	2.15 (54.5)								
BP□□-FL10-13	5/8" FITOK	6000 (414)			4.36 (110.6)	2.18 (55.3)								
BP□□-FL12-13	3/4" FITOK	5800 (400)			3.54 (90.0)	1.77 (45.0)								
BP□□-FNS8-13	1/2 Female NPT	6000 (414)			4.09 (104.0)	2.05 (52.0)								
BP□□-FNS12-13	3/4 Female NPT	6000 (414)			4.14 (105.2)	2.07 (52.6)								
BP□□-NS12-13	3/4 Male NPT	6000 (414)			4.14 (105.2)	2.07 (52.6)								
BP□□-ML20-19	20 mm FITOK	5500 (379)			0.71 (18.0)	30.0				4.87 (123.8)	2.43 (61.9)	6.46 (164.0)	2.72 (69.0)	1.96 (50.0)
BP□□-ML22-19	22 mm FITOK	4900 (338)								5.11 (129.8)	2.66 (64.9)			
BP□□-ML25-19	25 mm FITOK	4600 (317)	4.59 (116.6)	2.29 (58.3)										
BP□□-FL12-19	3/4" FITOK	5800 (400)	5.11 (129.8)	2.66 (64.9)										
BP□□-FL16-19	1" FITOK	4700 (324)	3.81 (96.8)	1.91 (48.4)										
BP□□-FNS12-19	3/4 Female NPT	6000 (414)	4.26 (108.2)	2.13 (54.1)										
BP□□-FNS16-19	1 Female NPT	6000 (414)	4.91 (124.8)	2.45 (62.4)										
BP□□-NS16-19	1 Male NPT	6000 (414)												

3-way Valves

Vertical Pattern



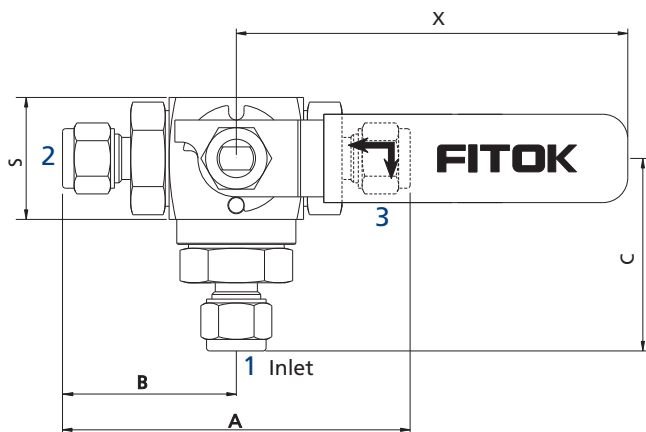
Port 1 as inlet
180° rotation handle



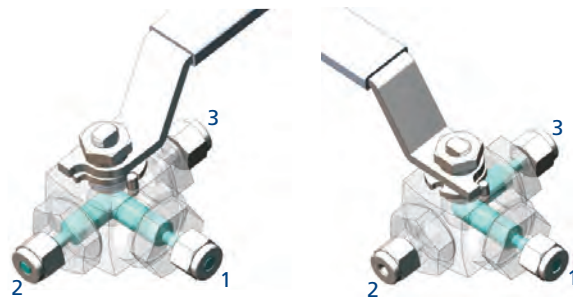
Port 1 to port 2

Port 1 to port 3

Horizontal Pattern



Port 1 as inlet
90° rotation handle



Port 1 to port 2

Port 1 to port 3

Ball Valves
Plug Valves

Basic Ordering Number	Connection Type and Size	Pressure Rating of End Connections @ 100 °F (38 °C), psig (bar)	Orifice in. (mm)	Dimensions, in. (mm)						
				A	B	C	X	Y	S	
BP□□-ML6-10-3□	6 mm FITOK	10000 (690)	0.19 (4.8)	3.54 (90.0)	1.77 (45.0)	2.00 (51.0)	4.57 (116.0)	2.10 (53.4)	1.30 (32.0)	
BP□□-ML8-10-3□	8 mm FITOK	7500 (517)	0.25 (6.4)	3.60 (91.6)	1.80 (45.8)	2.02 (51.3)				
BP□□-ML10-10-3□	10 mm FITOK	8400 (579)	0.28 (7.1)	3.70 (94.0)	1.85 (47.0)	2.07 (52.5)				
BP□□-ML12-10-3□	12 mm FITOK	6800 (469)	0.39 (10.0)	3.94 (100.0)	1.97 (50.0)	2.18 (55.5)				
BP□□-ML14-10-3□	14 mm FITOK	6200 (427)		3.94 (100.0)	1.97 (50.0)	2.18 (55.5)				
BP□□-FL4-10-3□	1/4" FITOK	10000 (690)	0.19 (4.8)	3.56 (90.4)	1.78 (45.2)	1.95 (49.5)				
BP□□-FL6-10-3□	3/8" FITOK	6500 (448)	0.28 (7.1)	3.72 (94.6)	1.86 (47.3)	2.16 (54.8)				
BP□□-FL8-10-3□	1/2" FITOK	6700 (462)	0.39 (10.0)	3.92 (99.6)	1.96 (49.8)	2.13 (54.0)				
BP□□-FNS4-10-3□	1/4 Female NPT	10000 (690)		3.03 (77.0)	1.52 (38.5)	1.44 (36.5)				
BP□□-FNS6-10-3□	3/8 Female NPT	10000 (690)		2.80 (71.0)	1.40 (35.5)	1.57 (40.0)				
BP□□-FNS8-10-3□	1/2 Female NPT	10000 (690)		3.27 (83.0)	1.63 (41.5)	1.83 (46.4)				
BP□□-NS4-10-3□	1/4 Male NPT	10000 (690)		0.28 (7.1)	3.36 (85.4)	1.68 (42.7)				1.90 (48.2)
BP□□-NS6-10-3□	3/8 Male NPT	10000 (690)			3.36 (85.4)	1.68 (42.7)				1.90 (48.2)
BP□□-NS8-10-3□	1/2 Male NPT	10000 (690)	3.75 (95.2)		1.88 (47.6)	2.09 (53.1)				

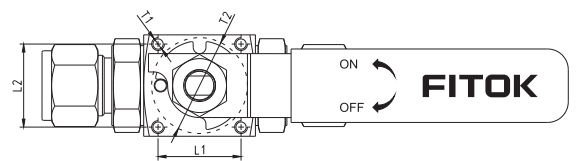
Basic Ordering Number	Connection Type and Size	Pressure Rating of End Connections @ 100°F (38°C), psig (bar)	Orifice in. (mm)	Dimensions, in. (mm)						
				A	B	C	X	Y	S	
		316 SS								
BP□□-ML16-13-3□	16 mm FITOK	5800 (400)	0.50 (12.7)	4.42 (112.2)	2.21 (56.1)	2.60 (66.1)	5.59 (142.0)	2.54 (64.4)	1.50 (38.0)	
BP□□-ML18-13-3□	18 mm FITOK	5400 (372)		4.12 (104.6)	2.06 (52.3)	2.45 (62.3)				
BP□□-ML20-13-3□	20 mm FITOK	5500 (379)		4.43 (112.6)	2.22 (56.3)	2.61 (66.3)				
BP□□-ML22-13-3□	22 mm FITOK	4900 (338)		4.29 (109.0)	2.15 (54.5)	2.54 (64.5)				
BP□□-FL10-13-3□	5/8" FITOK	6000 (414)		4.36 (110.6)	2.18 (55.3)	2.57 (65.3)				
BP□□-FL12-13-3□	3/4" FITOK	5800 (400)		3.54 (90.0)	1.77 (45.0)	2.02 (51.2)				
BP□□-FNS8-13-3□	1/2 Female NPT	6000 (414)		4.09 (104.0)	2.05 (52.0)	2.44 (62.0)				
BP□□-FNS12-13-3□	3/4 Female NPT	6000 (414)		4.14 (105.2)	2.07 (52.6)	2.46 (62.6)				
BP□□-NS12-13-3□	3/4 Male NPT	6000 (414)								
BP□□-ML20-19-3□	20 mm FITOK	5500 (379)		0.71 (18.0)	4.87 (123.8)	2.43 (61.9)				2.89 (73.4)
BP□□-ML22-19-3□	22 mm FITOK	4900 (338)	5.11 (129.8)		2.66 (64.9)	3.00 (76.2)				
BP□□-ML25-19-3□	25 mm FITOK	4600 (317)	4.86 (123.4)		2.43 (61.7)	3.02 (76.7)				
BP□□-FL12-19-3□	3/4" FITOK	5800 (400)	5.11 (129.8)		2.66 (64.9)	2.85 (72.4)				
BP□□-FL16-19-3□	1" FITOK	4700 (324)	3.82 (97.0)		1.91 (48.5)	2.22 (56.5)				
BP□□-FNS12-19-3□	3/4 Female NPT	6000 (414)	4.26 (108.2)		2.13 (54.1)	2.72 (69.1)				
BP□□-FNS16-19-3□	1 Female NPT	6000 (414)	4.54 (115.2)		2.27 (57.6)	2.72 (69.1)				
BP□□-NS12-19-3□	3/4 Male NPT	6000 (414)	4.91 (124.8)		2.45 (62.4)	2.90 (73.9)				
BP□□-NS16-19-3□	1 Male NPT	6000 (414)								

1. FITOK means FITOK double ferrule tube fittings.
2. Sizes and types listed are standard. Other sizes and types are available upon request, please contact FITOK Group or our authorized distributors.
3. Dimensions are shown with tube fitting nuts finger-tightened. All dimensions are for reference only and are subject to change.
For dimensions not shown above, please contact FITOK Group or our authorized distributors.

Panel Mounting Options

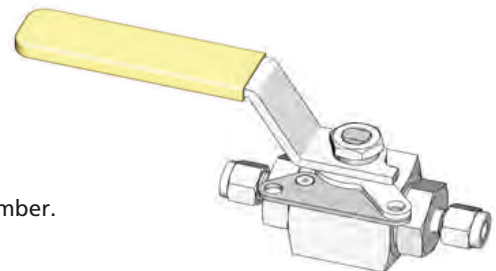
Dimension for Panel Mounting

Orifice in. (mm)	in. (mm)			
	L1	L2	T1	T2
0.39 (10.0)	1.02 (26.0)	1.02 (26.0)	M4 × 0.7P deep 0.19 (5.0)	1.18 (30.0)
0.50 (12.7)	1.18 (30.0)	1.18 (30.0)	M5 × 0.8P deep 0.19 (5.0)	1.18 (30.0)
0.71 (18.0)	1.37 (35.0)	1.57 (40.0)	M5 × 0.8P deep 0.19 (5.0)	1.50 (38.0)



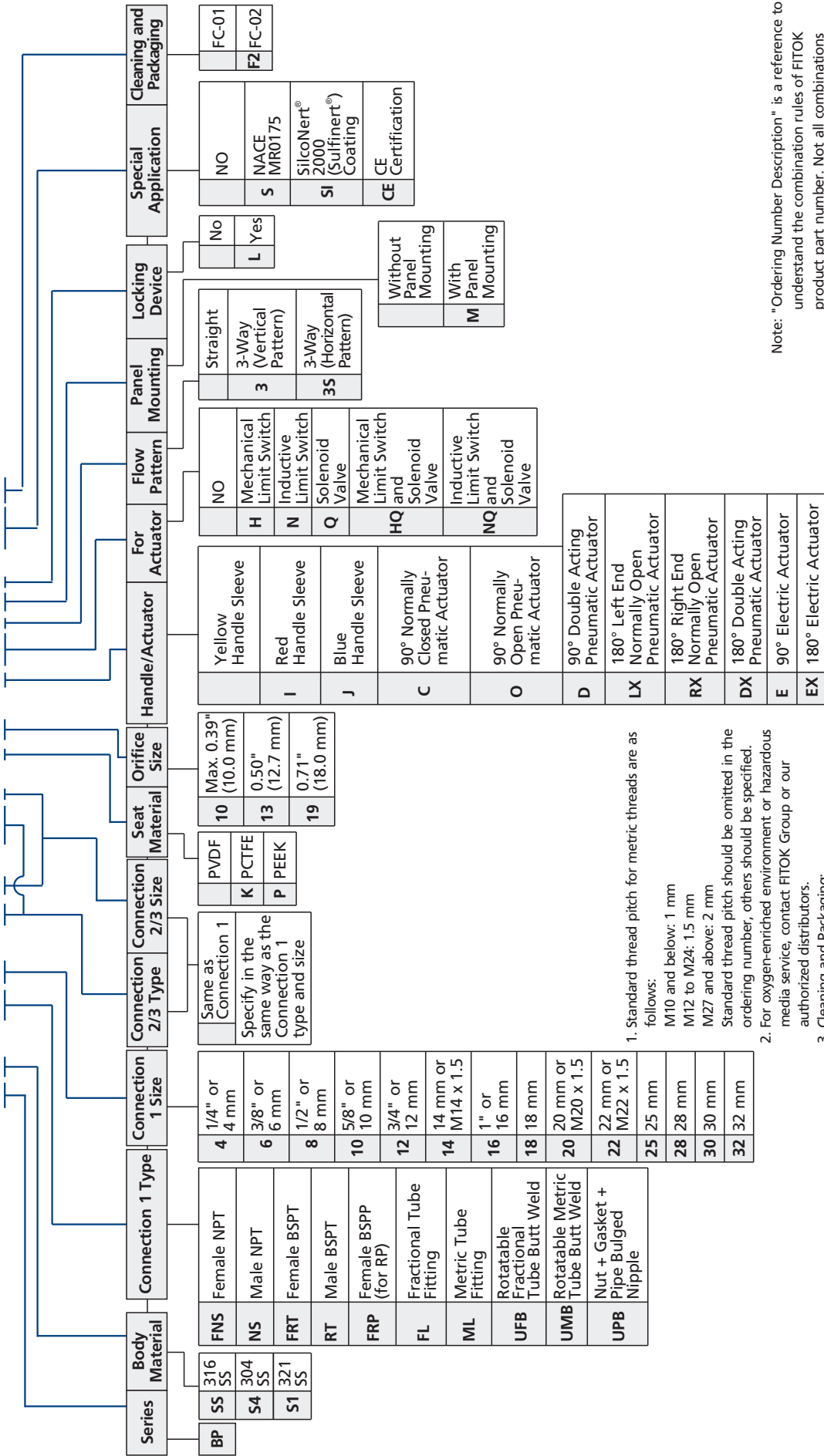
Locking Device

- ⦿ Lock the valve in the open or closed position.
- ⦿ For lever handle only, panel mounting not available.
- ⦿ To order a ball valve with locking device, add -L to the valve ordering number.
Example: BPSS-FL4-10-L



Ordering Number Description

BPSS - ML20 - FL12 - FNS8 - P13 - OHQ3ML - SCEF2



Series	Body Material	Connection 1 Type	Connection 1 Size	Connection 2/3 Type	Connection 2/3 Size	Seat Material	Orifice Size	Handle/Actuator	For Actuator	Flow Pattern	Panel Mounting	Locking Device	Special Application	Cleaning and Packaging
BP	SS 316	FNS	Female NPT	4 1/4" or 4 mm	Same as Connection 1 Specify in the same way as the Connection 1 type and size	K PCTFE	10 Max. 0.39" (10.0 mm)	I Yellow Handle Sleeve	H	Mechanical Limit Switch	Straight	No	NO	FC-01
		NS	Male NPT	6 3/8" or 6 mm										
	SS 304	FRT	Female BSPT	8 1/2" or 8 mm		P PEEK	19 0.71" (18.0 mm)	J Blue Handle Sleeve	Q	Solenoid Valve	35 3-Way (Horizontal Pattern)		SI SilcoNert® 2000 (Sulfinert®) Coating	
	SS 321	RT	Male BSPT	10 5/8" or 10 mm				C 90° Normally Closed Pneumatic Actuator	HQ	Mechanical Limit Switch and Solenoid Valve			CE CE Certification	
		FRP	Female BSPP (for RP)	12 3/4" or 12 mm				O 90° Normally Open Pneumatic Actuator	NQ	Inductive Limit Switch and Solenoid Valve				
		FL	Fractional Tube Fitting	14 14 mm or M14 x 1.5										
		ML	Metric Tube Fitting	16 1" or 16 mm										
		UFB	Rotatable Fractional Tube Butt Weld	18 18 mm										
		UMB	Rotatable Metric Tube Butt Weld	20 20 mm or M20 x 1.5										
		UPB	Nut + Gasket + Pipe Bulged Nipple	22 22 mm or M22 x 1.5										
				25 25 mm				D 90° Double Acting Pneumatic Actuator						
				28 28 mm				LX 180° Left End Normally Open Pneumatic Actuator						
				30 30 mm				RX 180° Right End Normally Open Pneumatic Actuator						
				32 32 mm				DX 180° Double Acting Pneumatic Actuator						
								E 90° Electric Actuator						
								EX 180° Electric Actuator						

- Standard thread pitch for metric threads are as follows:
M10 and below: 1 mm
M12 to M24: 1.5 mm
M27 and above: 2 mm
Standard thread pitch should be omitted in the ordering number, others should be specified.
- For oxygen-enriched environment or hazardous media service, contact FITOK Group or our authorized distributors.
- Cleaning and Packaging:
FC-01: Standard cleaning and packaging for wetted system components to ensure compliance with product cleanliness requirements of ASTM G93 Level C
FC-02: Special cleaning and packaging for wetted system components to ensure compliance with product cleanliness requirements of ASTM G93 Level C

Note: "Ordering Number Description" is a reference to understand the combination rules of FITOK product part number. Not all combinations are available.

- For more information about pneumatic actuator ball valves, please refer to the catalog **Automatic Control Ball Valves**.
- SilcoNert® 2000 (Sulfinert®) Coating: Except for ball valves with PEEK seat, wetted metal components SilcoNert® 2000 (Sulfinert®) coated.
- CE certification is available. For more information, please contact FITOK group or our authorized distributors.

Hex Bar Stock Ball Valves

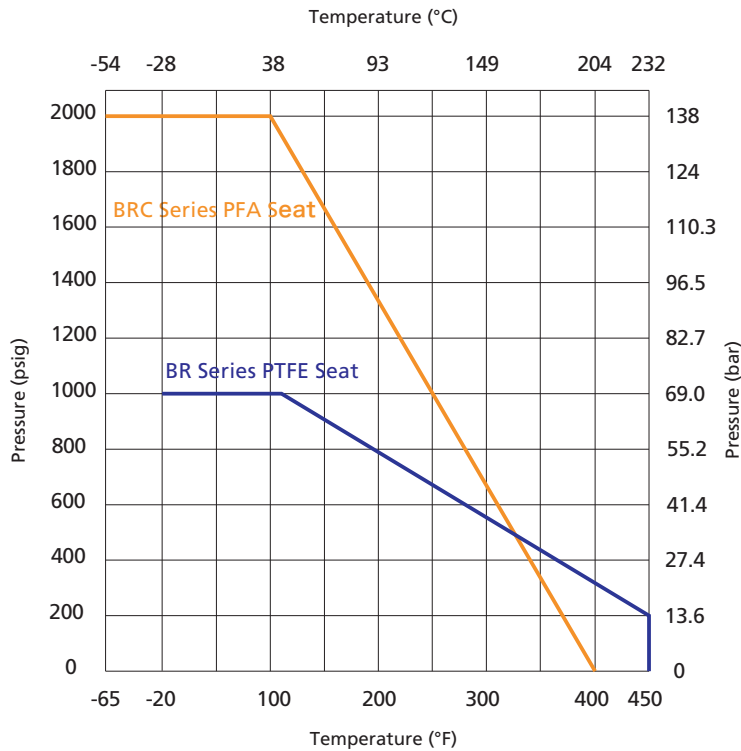
BR and BRC Series

Features

- ⦿ Working pressure up to:
 - BR Series: 1000 psig (69.0 bar)
 - BRC Series: 2000 psig (138 bar)
- ⦿ Working temperature:
 - BR Series: -20°F to 450°F (-28°C to 232°C)
 - BRC Series: -65°F to 400°F (-54°C to 204°C)
- ⦿ Compact and economical design
- ⦿ Free floating ball design for seat wear compensation
- ⦿ Bi-directional flow
- ⦿ Low operating torque
- ⦿ A variety of end connections available
- ⦿ Blowout proof stem
- ⦿ Handle color options available
- ⦿ Leak-tight performance testing with nitrogen or compressed air for every valve at the rated pressure to meet the requirement of no visible leak

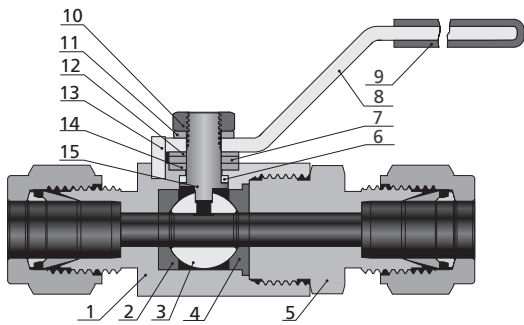


Pressure vs. Temperature

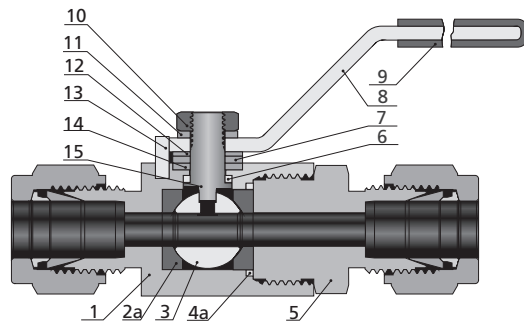


Standard Materials of Construction

BR Series



BRC Series

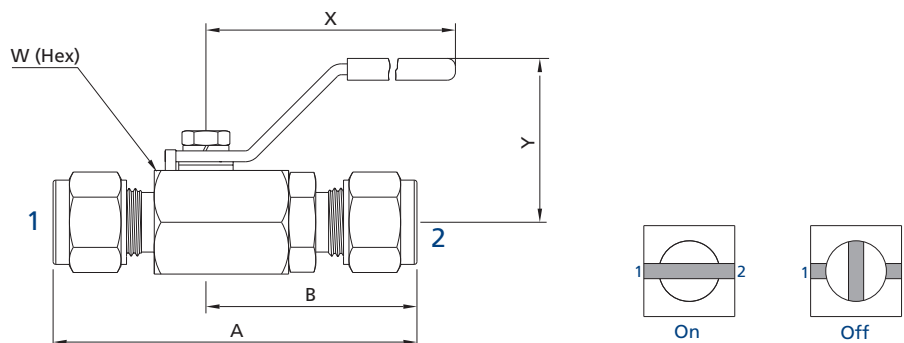


Item	Component	BR Series		BRC Series
		Valve Body Material		
		316 SS	Brass	316 SS
Material Grade/ASTM Specification				
1	<i>Body</i>	<i>316 SS/A479</i>	<i>Brass C36000/B16</i>	<i>316 SS/A479</i>
2	<i>Front Seat</i>	<i>PTFE/D1710</i>		
2a	<i>Seat</i>	—		<i>PFA/D3307</i>
3	<i>Ball</i>	<i>316 SS/A479</i>		
4	<i>Back Seat</i>	<i>PTFE/D1710</i>		
4a	<i>Sealing Gasket</i>	—		<i>316L SS/A269</i>
5	<i>End Connection</i>	<i>316 SS/A479</i>	<i>Brass C36000/B16</i>	<i>316 SS/A479</i>
6	<i>Lower Packing</i>	<i>PTFE/D1710</i>		
7	<i>Washer</i>	<i>316 SS/A479</i>		
8	<i>Handle</i>	<i>304 SS/A240 or Aluminium</i>		
9	<i>Sleeve</i>	<i>Vinyl</i>		
10	<i>Stem Nut</i>	<i>SS</i>		
11	<i>Gasket</i>	<i>SS</i>		
12	<i>Coned-disc Spring</i>	<i>S17700/A693</i>		
13	<i>Stop Pin</i>	<i>SS</i>		
14	<i>Upper Packing</i>	<i>PTFE/D1710</i>		
15	<i>Stem</i>	<i>316 SS/A479</i>		

Note: Wetted components are listed in italics.

For other materials, please contact FITOK Group or our authorized distributors.

Dimensions



B-44 Ball Valves

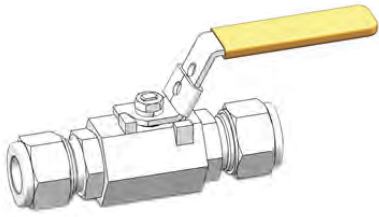
Basic Ordering Number		Connection Type and Size	Orifice in. (mm)	Cv	Dimensions, in. (mm)					
					Connection 1/2	A	B	W	X	Y
BR□□-ML6-05	BRC□□-ML6-05	6 mm FITOK	0.19 (4.8)	1.25	2.57 (65.2)	1.50 (38.1)	3/4 (19.05)	2.36 (60)	1.18 (30)	
BR□□-ML8-05	BRC□□-ML8-05	8 mm FITOK			2.63 (66.8)	1.53 (38.8)				
BR□□-FL4-05	BRC□□-FL4-05	1/4" FITOK			2.57 (65.2)	1.50 (38.1)				
BR□□-FL5-05	BRC□□-FL5-05	5/16" FITOK			2.63 (66.8)	1.53 (38.8)				
BR□□-FNS2-05	BRC□□-FNS2-05	1/8 Female NPT			1.85 (47.0)	1.08 (27.4)				
BR□□-FRP2-05	BRC□□-FRP2-05	1/8 Female BSPP			2.00 (50.0)	1.14 (29.0)				
BR□□-FRP4-05	BRC□□-FRP4-05	1/4 Female BSPP			2.00 (50.0)	1.14 (29.0)				
BR□□-FNS4-05	BRC□□-FNS4-05	1/4 Female NPT			1.85 (47.0)	1.08 (27.4)				
BR□□-ML10-07	BRC□□-ML10-07	10 mm FITOK			0.28 (7.1)	2.50				2.87 (72.9)
BR□□-FL6-07	BRC□□-FL6-07	3/8" FITOK	2.03 (51.6)	1.18 (30.0)						
BR□□-FRP6-07	BRC□□-FRP6-07	3/8 Female BSPP								
BR□□-FNS6-07	BRC□□-FNS6-07	3/8 Female NPT								
BR□□-ML12-10	BRC□□-ML12-10	12 mm FITOK	0.35 (8.9)	9.25	3.15 (80.0)	1.83 (46.5)	1 1/16 (27.0)	3.15 (80)	1.54 (39)	
BR□□-ML14-10	BRC□□-ML14-10	14 mm FITOK			3.24 (82.2)	1.87 (47.5)				
BR□□-FL8-10	BRC□□-FL8-10	1/2" FITOK			3.15 (80.0)	1.83 (46.5)				
BR□□-FL10-10	BRC□□-FL10-10	5/8" FITOK			3.24 (82.2)	1.87 (47.5)				
BR□□-FRP8-10	BRC□□-FRP8-10	1/2 Female BSPP			2.08 (53.0)	1.12 (28.5)	15/16 (24.0)			
BR□□-FNS8-10	BRC□□-FNS8-10	1/2 Female NPT			2.08 (53.0)	1.12 (28.5)				
BR□□-ML16-13	——	16 mm FITOK	0.47 (12.0)	12.65	3.50 (88.9)	2.00 (50.8)	1 1/4 (31.75)	3.94 (100)	2.03 (51.7)	
BR□□-ML18-13	——	18 mm FITOK								
BR□□-FL12-13	——	3/4" FITOK								
BR□□-FRP12-13	——	3/4 Female BSPP			2.48 (63.0)	1.30 (33.0)				
BR□□-FNS12-13	——	3/4 Female NPT			2.39 (60.7)	1.20 (30.5)				
BR□□-ML22-16	——	22 mm FITOK	0.63 (16.0)	17.35	3.96 (100.6)	2.24 (57.1)	1 1/2 (38.1)	2.15 (54.8)		
BR□□-ML25-16	——	25 mm FITOK			4.31 (109.5)	2.42 (61.5)				
BR□□-FL16-16	——	1" FITOK								
BR□□-FRP16-16	——	1 Female BSPP							3.25 (82.6)	1.63 (41.3)
BR□□-FNS16-16	——	1 Female NPT							3.00 (76.5)	1.50 (38.1)

1. FITOK means FITOK double ferrule tube fittings.

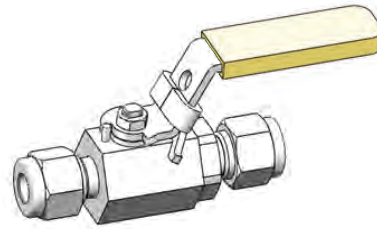
2. Sizes and types listed are standard. Other sizes and types are available upon request, please contact FITOK Group or our authorized distributors.

3. Dimensions are shown with tube fitting nuts finger-tightened. All dimensions are for reference only and are subject to change. For dimensions not shown above, please contact FITOK Group or our authorized distributors.

Locking Device



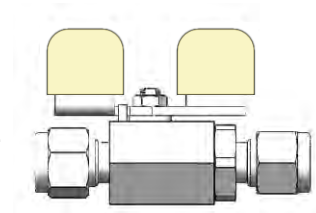
- ⦿ For ball valves with orifices 07, 10, 13 and 16.
- ⦿ Lock the valve in the open or closed position.
- ⦿ To order a ball valve with locking device, add -L to the valve ordering number.
Example: BRSS-ML12-10-L/BRCSS-ML12-10-L



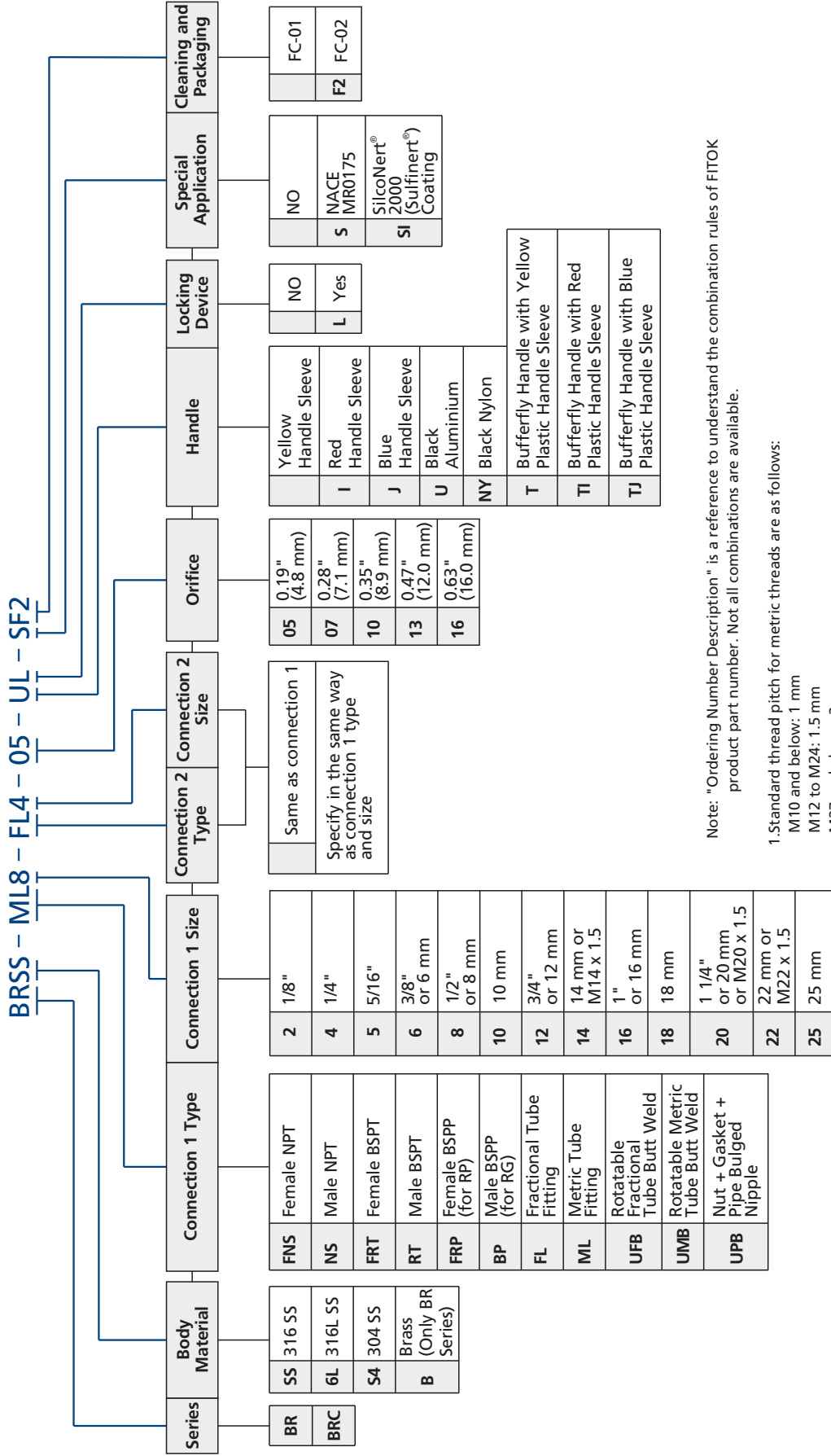
- ⦿ For ball valves with orifice 05.
- ⦿ Lock the valve in the open or closed position.
- ⦿ To order a ball valve with locking device, add -L to the valve ordering number.
Example: BRSS-ML16-05-L

Butterfly Handle

- ⦿ To order a ball valve with butterfly handle, add -T to the valve ordering number.
Example: BRSS-ML16-05-T



Ordering Number Description



Note: "Ordering Number Description" is a reference to understand the combination rules of FITOK product part number. Not all combinations are available.

1. Standard thread pitch for metric threads are as follows:

- M10 and below: 1 mm
- M12 to M24: 1.5 mm
- M27 and above: 2 mm

Standard thread pitch should be omitted in the ordering number, others should be specified.

2. For oxygen-enriched environment or hazardous media service, contact FITOK Group or our authorized distributors.

3. Cleaning and Packaging:

FC-01: Standard cleaning and packaging for general industrial procedures.

FC-02: Special cleaning and packaging for wetted system components to ensure compliance with product cleaning requirement of ASTM G93 Level C.

4. SilcoNert® 2000 (Sulfinert®) Coating: Wetted metal components SilcoNert® 2000 (Sulfinert®) coated.

High Performance Ball Valves

BV Series

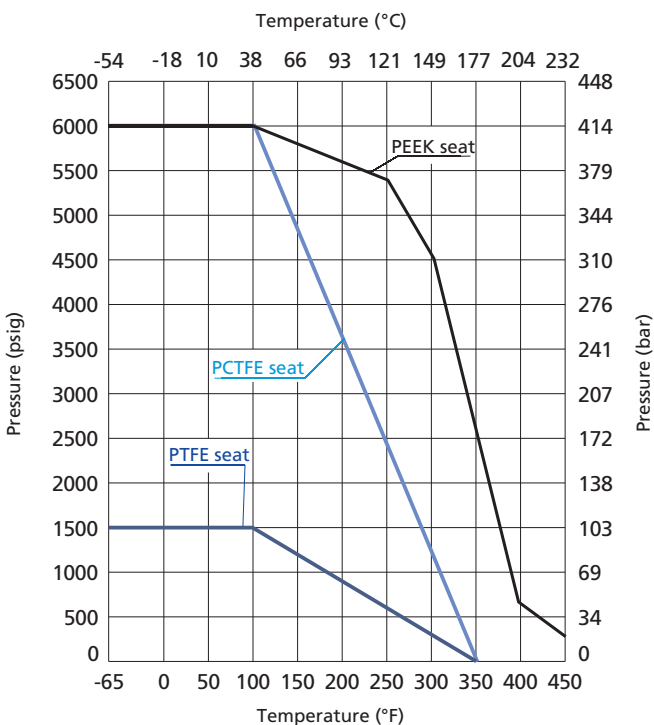
Features

- ⦿ Working pressure up to: 6000 psig (414 bar)
- ⦿ Working temperature: -65°F to 450°F (-54°C to 232°C)
- ⦿ Low operating torque
- ⦿ Handle as indicator of flow direction
- ⦿ Positive handle stop
- ⦿ Electric and pneumatic actuator available
- ⦿ Handle color options available
- ⦿ Leak-tight performance testing with nitrogen or compressed air for every valve to meet the requirement of no visible leakage at the rated pressure
- ⦿ Bi-directional flow for straight valves
- ⦿ The inlet of 3-way valves and angle pattern valves can only be the bottom port

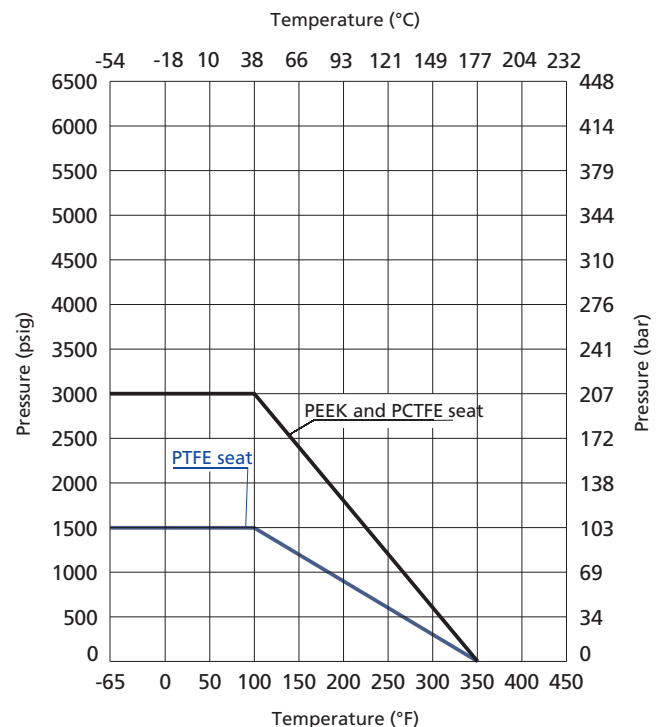


Pressure vs. Temperature

316 SS Body



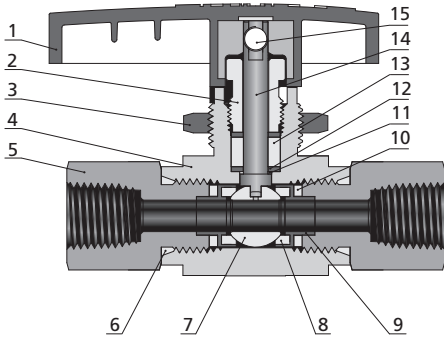
Brass Body



Note: The working pressure of valves is restricted by materials of the valve body and seat, as well as end connections. When choosing a valve for your applications, please refer to the above Temperature vs. Pressure Curves and the pressure rating in the dimension table. The minimum value shall be the pressure rating of the valve.

Standard Materials of Construction

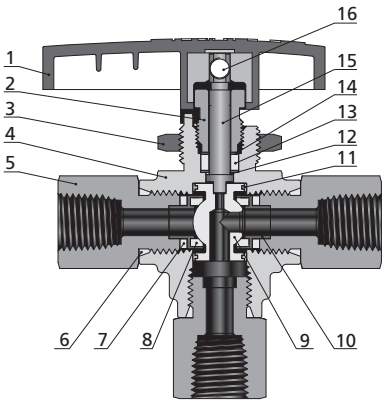
Straight Valves



Item	Component	Valve Body Material	
		SS	Brass
1	Handle	Nylon or Aluminium	
2	Packing Nut	316 SS/A479	C36000/B16
3	Panel Nut	316 SS/A479	
4	<i>Body</i>	<i>CF8M/A351</i>	<i>C37700/B283</i>
5	<i>End Connection</i>	<i>316 SS/A479</i>	<i>C36000/B16</i>
6	<i>Connection O-ring</i>	PTFE	
7	<i>Ball</i>	316 SS/A479	
8	<i>Seat</i>	PTFE or PCTFE or PEEK	
9	<i>Seat Retainer</i>	316 SS/A479	
10	<i>Seat Packing</i>	PTFE	
11	<i>Stem Back-up Ring</i>	PEEK	
12	<i>Stem Washer</i>	316/A479	
13	<i>Stem Packing</i>	PTFE	
14	<i>Stem</i>	316 SS/A479	
15	Set Screw	Galvanized carbon steel	
	<i>Lubricants</i>	<i>Fluorinated-based</i>	

Note: Wetted components are listed in italics.
For other materials, please contact FITOK Group or our authorized distributors.

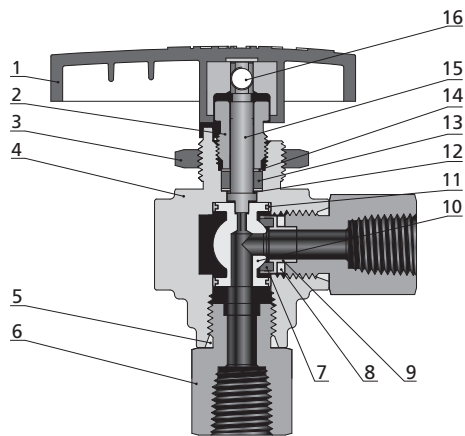
3-way Valves



Item	Component	Valve Body Material	
		SS	Brass
1	Handle	Nylon or Aluminium	
2	Packing Nut	316 SS/A479	C36000/B16
3	Panel Nut	316 SS/A479	
4	<i>Body</i>	<i>CF8M/A351</i>	<i>C37700/B283</i>
5	<i>End Connection</i>	<i>316 SS/A479</i>	<i>C36000/B16</i>
6	<i>Connection O-ring</i>	PTFE	
7	<i>Seat Packing</i>	PTFE	
8	<i>Seat</i>	PTFE or PCTFE or PEEK	
9	<i>Ball</i>	316 SS/A479	
10	<i>Seat Retainer</i>	316 SS/A479	
11	<i>Trunnion Bearing</i>	PEEK	
12	<i>Stem Back-up Ring</i>	PEEK	
13	<i>Stem Packing</i>	PTFE	
14	<i>Stem Washer</i>	316 SS/A479	
15	<i>Stem</i>	316 SS/A479	
16	Set Screw	Galvanized carbon steel	
	<i>Lubricants</i>	<i>Fluorinated-based</i>	

Note: Wetted components are listed in italics.
For other materials, please contact FITOK Group or our authorized distributors.

Angle Pattern Valves



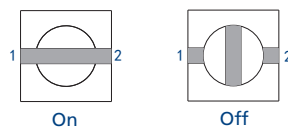
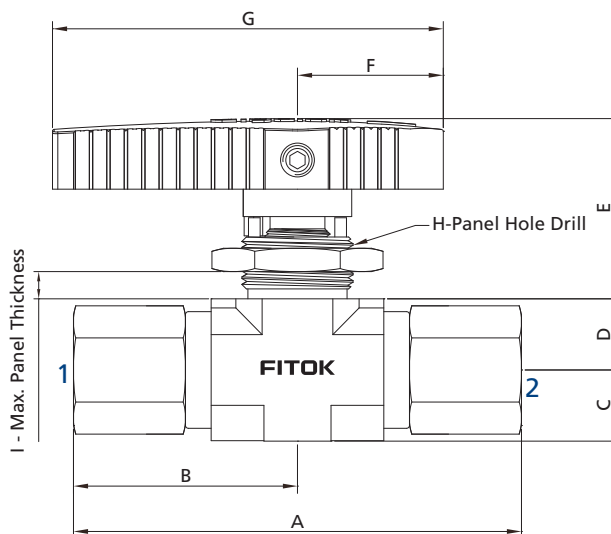
Item	Component	Valve Body Material	
		SS	Brass
1	Handle	Nylon or Aluminium	
2	Packing Nut	316 SS/A479	C36000/B16
3	Panel Nut	316 SS/A479	
4	<i>Body</i>	<i>CF8M/A351</i>	<i>C37700/B283</i>
5	<i>Connection O-ring</i>	<i>PTFE</i>	
6	<i>End Connection</i>	<i>316 SS/A479</i>	<i>C36000/B16</i>
7	<i>Seat</i>	<i>PTFE or PCTFE or PEEK</i>	
8	<i>Seat Packing</i>	<i>PTFE</i>	
9	<i>Seat Retainer</i>	<i>316 SS/A479</i>	
10	<i>Ball</i>	<i>316 SS/A479</i>	
11	<i>Trunnion Bearing</i>	<i>PEEK</i>	
12	<i>Stem Back-up Ring</i>	<i>PEEK</i>	
13	<i>Stem Packing</i>	<i>PTFE</i>	
14	<i>Stem Washer</i>	<i>316 SS/A479</i>	
15	<i>Stem</i>	<i>316 SS/A479</i>	
16	<i>Set Screw</i>	<i>Galvanized carbon Steel</i>	
	<i>Lubricants</i>	<i>Fluorinated-based</i>	

Note: Wetted components are listed in italics.
For other materials, please contact FITOK Group or our authorized distributors.

Ball Valves
Plug Valves

Dimensions

Straight Valves

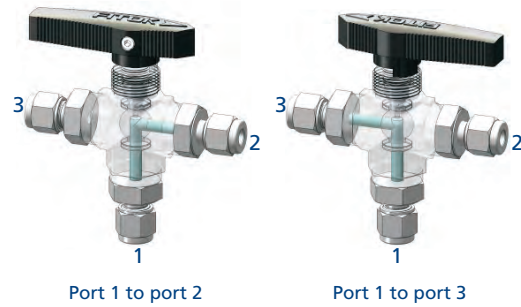
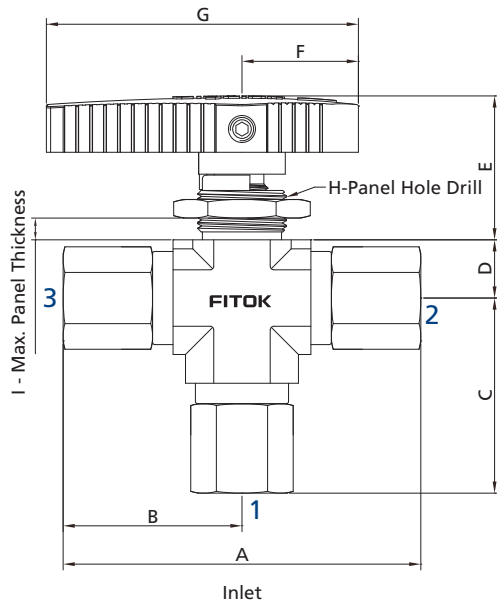


B-50 Ball Valves

Ball Valves
Plug Valves

Basic Ordering Number	Connection Type and Size	Pressure Rating of End Connections @ 100°F (38°C) psig (bar)		Orifice in. (mm)	Cv	Dimensions, in. (mm)																					
		316 SS	Brass			A	B	C	D	E	F	G	H	I													
BV□□-FL1-01	1/16" FITOK	6000 (414)	3000 (207)	0.05 (1.3)	0.06	2.60 (66.0)	1.30 (33.0)																				
BV□□-FL2-02	1/8" FITOK	6000 (414)	3000 (207)	0.09 (2.4)	0.21	2.72 (69.0)	1.36 (34.5)																				
BV□□-ML3-02	3 mm FITOK	6000 (414)	3000 (207)			2.74 (69.6)	1.37 (34.8)																				
BV□□-FRT2-04	1/8 Female BSPT	6000 (414)	3000 (207)	0.17 (4.2)	0.93	2.14 (54.4)	1.07 (27.2)	0.36 (9.2)	0.33 (8.5)	0.94 (23.9)	0.79 (20.0)	1.97 (50.0)	0.58 (14.7)	0.18 (4.6)													
BV□□-FRP2-04	1/8 Female BSPP	6000 (414)	3000 (207)																								
BV□□-FNS2-04	1/8 Female NPT	6000 (414)	3000 (207)																								
BV□□-RT2-04	1/8 Male BSPT	6000 (414)	3000 (207)																								
BV□□-BP2-04	1/8 Male BSPP	6000 (414)	3000 (207)																								
BV□□-NS2-04	1/8 Male NPT	6000 (414)	3000 (207)																								
BV□□-RT4-04	1/4 Male BSPT	6000 (414)	3000 (207)																								
BV□□-BP4-04	1/4 Male BSPP	6000 (414)	3000 (207)																								
BV□□-NS4-04	1/4 Male NPT	6000 (414)	3000 (207)																								
BV□□-FL4-05	1/4" FITOK	6000 (414)	3000 (207)			0.19 (4.7)	1.04								3.48 (88.4)	1.74 (44.2)											
BV□□-ML6-05	6 mm FITOK	6000 (414)	3000 (207)												3.50 (89.0)	1.75 (44.5)											
BV□□-FL6-06	3/8" FITOK	6000 (414)	2200 (152)	0.25 (6.4)	2.34	3.60 (91.4)	1.80 (45.7)	0.48 (12.2)	0.48 (12.2)	1.24 (31.5)	0.59 (25.0)	2.64 (67.0)	0.77 (19.6)	0.25 (6.4)													
BV□□-ML8-06	8 mm FITOK	6000 (414)	2300 (159)			3.56 (90.4)	1.78 (45.2)																				
BV□□-ML10-06	10 mm FITOK	6000 (414)	1900 (131)			3.62 (92.0)	1.81 (46.0)																				
BV□□-FRT4-06	1/4 Female BSPT	6000 (414)	3000 (207)																								
BV□□-FRP4-06	1/4 Female BSPP	6000 (414)	3000 (207)			3.02 (76.8)	1.51 (38.4)																				
BV□□-FNS4-06	1/4 Female NPT	6000 (414)	3000 (207)																								
BV□□-RT4-06	1/4 Male BSPT	6000 (414)	3000 (207)																								
BV□□-BP4-06	1/4 Male BSPP	6000 (414)	3000 (207)																								
BV□□-NS4-06	1/4 Male NPT	6000 (414)	3000 (207)																								
BV□□-RT6-06	3/8 Male BSPT	6000 (414)	3000 (207)																								
BV□□-BP6-06	3/8 Male BSPP	6000 (414)	3000 (207)																								
BV□□-NS6-06	3/8 Male NPT	6000 (414)	3000 (207)																								
BV□□-FL8-10	1/2" FITOK	6000 (414)	2100 (145)	0.41 (10.3)	6.42	4.68 (118.8)	2.34 (59.4)																				
BV□□-FL12-10	3/4" FITOK	5800 (400)	1800 (124)																								
BV□□-ML12-10	12 mm FITOK	6000 (414)	2000 (138)	0.37 (9.5)	5.57																						
BV□□-ML14-10	14 mm FITOK	6000 (414)	1900 (131)	0.41 (10.3)	6.42	4.66 (118.4)	2.33 (59.2)	0.75 (19.0)	0.71 (18.0)	1.54 (39.0)	1.42 (36.0)	3.78 (96.0)	0.90 (22.9)	0.38 (9.7)													
BV□□-ML16-10	16 mm FITOK	5800 (400)	1700 (117)																								
BV□□-ML18-10	18 mm FITOK	5400 (372)	1600 (110)																								
BV□□-ML20-10	20 mm FITOK	5500 (379)	1600 (110)																								
BV□□-ML22-10	22 mm FITOK	4900 (338)	1450 (100)			4.84 (123.0)	2.42 (61.5)																				
BV□□-FRT6-10	3/8 Female BSPT	6000 (414)	3000 (207)																								
BV□□-FRP6-10	3/8 Female BSPP	6000 (414)	3000 (207)			3.90 (99.0)	1.95 (49.5)																				
BV□□-FNS6-10	3/8 Female NPT	6000 (414)	3000 (207)																								
BV□□-FRT8-10	1/2 Female BSPT	6000 (414)	3000 (207)			4.30 (109.2)	2.15 (54.6)																				
BV□□-FRP8-10	1/2 Female BSPP	6000 (414)	3000 (207)			3.97 (101.0)	1.99 (50.5)																				
BV□□-FNS8-10	1/2 Female NPT	6000 (414)	3000 (207)			4.30 (109.2)	2.15 (54.6)																				
BV□□-FRT12-10	3/4 Female BSPT	6000 (414)	3000 (207)																								
BV□□-FRP12-10	3/4 Female BSPP	6000 (414)	3000 (207)																								
BV□□-FNS12-10	3/4 Female NPT	6000 (414)	3000 (207)																								
BV□□-RT8-10	1/2 Male BSPT	6000 (414)	3000 (207)																								
BV□□-BP8-10	1/2 Male BSPP	6000 (414)	3000 (207)																								
BV□□-NS8-10	1/2 Male NPT	6000 (414)	3000 (207)																								
BV□□-RT12-10	3/4 Male BSPT	6000 (414)	3000 (207)																								
BV□□-BP12-10	3/4 Male BSPP	6000 (414)	3000 (207)																								
BV□□-NS12-10	3/4 Male NPT	6000 (414)	3000 (207)																								
						4.44 (112.8)	2.22 (56.4)																				

3-way Valves



Ball Valves
Plug Valves

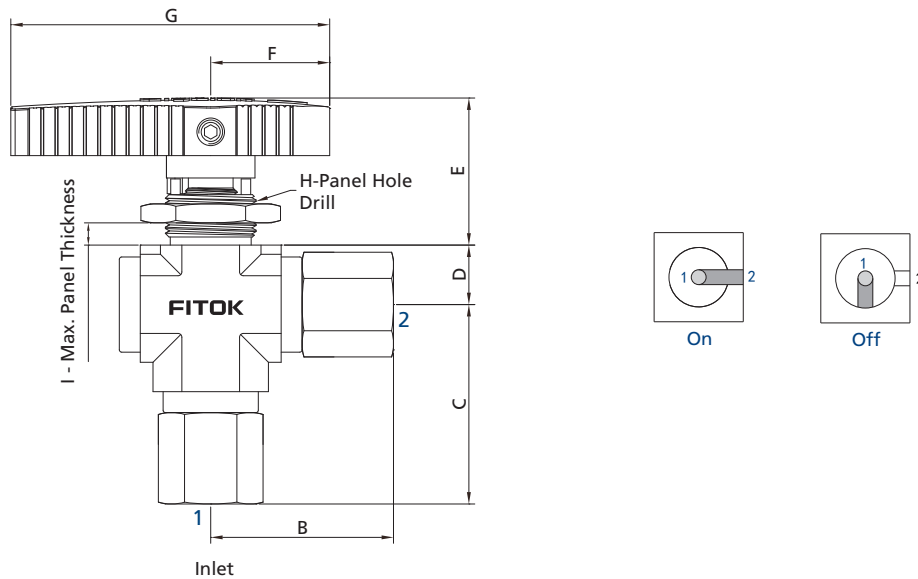
Basic Ordering Number	Connection Type and Size	Pressure Rating of End Connections @ 100°F (38°C), psig (bar)		Orifice in. (mm)	Cv	Dimensions, in. (mm)											
		316 SS	Brass			A	B	C	D	E	F	G	H	I			
BV□□-FL1-01-3	1/16" FITOK	6000 (414)	3000 (207)	0.05 (1.3)	0.06	2.60 (66.0)	1.30 (33.0)	1.35 (34.3)									
BV□□-FL2-02-3	1/8" FITOK	6000 (414)	3000 (207)	0.09 (2.4)	0.21	2.72 (69.0)	1.36 (34.5)	1.41 (35.8)									
BV□□-ML3-02-3	3 mm FITOK	6000 (414)	3000 (207)			2.74 (69.6)	1.37 (34.8)	1.42 (36.1)									
BV□□-FRT2-04-3	1/8 Female BSPT	6000 (414)	3000 (207)	0.12 (3.0)	0.28	2.14 (54.4)	1.07 (27.2)	1.12 (28.5)									
BV□□-FRP2-04-3	1/8 Female BSPP	6000 (414)	3000 (207)														
BV□□-FNS2-04-3	1/8 Female NPT	6000 (414)	3000 (207)								0.33 (8.5)	0.94 (23.9)	0.79 (20.0)	1.97 (50.0)	0.58 (14.7)	0.18 (4.6)	
BV□□-RT2-04-3	1/8 Male BSPT	6000 (414)	3000 (207)			2.36 (60.0)	1.18 (30.0)	1.23 (31.3)									
BV□□-BP2-04-3	1/8 Male BSPP	6000 (414)	3000 (207)														
BV□□-NS2-04-3	1/8 Male NPT	6000 (414)	3000 (207)														
BV□□-RT4-04-3	1/4 Male BSPT	6000 (414)	3000 (207)														
BV□□-BP4-04-3	1/4 Male BSPP	6000 (414)	3000 (207)														
BV□□-NS4-04-3	1/4 Male NPT	6000 (414)	3000 (207)														
BV□□-FL4-05-3	1/4" FITOK	6000 (414)	3000 (207)														
BV□□-ML6-05-3	6 mm FITOK	6000 (414)	3000 (207)			0.19 (4.7)	0.70	3.48 (88.4)	1.74 (44.2)	1.88 (47.7)							
BV□□-FL6-06-3	3/8" FITOK	6000 (414)	3000 (207)					3.50 (89.0)	1.75 (44.5)	1.89 (48.0)							
BV□□-ML8-06-3	8 mm FITOK	6000 (414)	3000 (207)	3.60 (91.4)	1.80 (45.7)			1.94 (49.2)									
BV□□-ML8-06-3	8 mm FITOK	6000 (414)	3000 (207)	3.56 (90.4)	1.78 (45.2)			1.92 (48.7)									
BV□□-ML10-06-3	10 mm FITOK	6000 (414)	3000 (207)	3.62 (92.0)	1.81 (46.0)			1.95 (49.5)									
BV□□-FRT4-06-3	1/4 Female BSPT	6000 (414)	3000 (207)														
BV□□-FRP4-06-3	1/4 Female BSPP	6000 (414)	3000 (207)								0.48 (12.2)	1.24 (31.5)	0.59 (25.0)	2.64 (67.0)	0.77 (19.6)	0.25 (6.4)	
BV□□-FNS4-06-3	1/4 Female NPT	6000 (414)	3000 (207)														
BV□□-RT4-06-3	1/4 Male BSPT	6000 (414)	3000 (207)														
BV□□-BP4-06-3	1/4 Male BSPP	6000 (414)	3000 (207)														
BV□□-NS4-06-3	1/4 Male NPT	6000 (414)	3000 (207)														
BV□□-RT6-06-3	3/8 Male BSPT	6000 (414)	3000 (207)														
BV□□-BP6-06-3	3/8 Male BSPP	6000 (414)	3000 (207)														
BV□□-NS6-06-3	3/8 Male NPT	6000 (414)	3000 (207)														

B-52 Ball Valves

Ball Valves
Plug Valves

Basic Ordering Number	Connection Type and Size	Pressure Rating of End Connections @ 100°F (38°C), psig (bar)		Orifice in. (mm)	Cv	Dimensions, in. (mm)								
		316 SS	Brass			A	B	C	D	E	F	G	H	I
BV□□-FL8-10-3	1/2" FITOK	6000 (414)	2100 (145)	0.37 (9.5)	3.48	4.68 (118.8)	2.34 (59.4)	2.68 (68.1)	0.71 (18.0)	1.54 (39.0)	1.42 (36.0)	3.78 (96.0)	0.90 (22.9)	0.38 (9.7)
BV□□-FL12-10-3	3/4" FITOK	5800 (400)	1800 (124)			4.66 (118.4)	2.33 (59.2)	2.67 (67.9)						
BV□□-ML12-10-3	12 mm FITOK	6000 (414)	2000 (138)			4.84 (123.0)	2.42 (61.5)	2.76 (70.2)						
BV□□-ML14-10-3	14 mm FITOK	6000 (414)	1900 (131)											
BV□□-ML16-10-3	16 mm FITOK	5800 (400)	1700 (117)			3.90 (99.0)	1.95 (49.5)	2.29 (58.2)						
BV□□-ML18-10-3	18 mm FITOK	5400 (372)	1600 (110)											
BV□□-ML20-10-3	20 mm FITOK	5500 (379)	1600 (110)			4.30 (109.2)	2.15 (54.6)	2.49 (63.3)						
BV□□-ML22-10-3	22 mm FITOK	4900 (338)	1450 (100)											
BV□□-FRT6-10-3	3/8 Female BSPT	6000 (414)	3000 (207)			3.97 (101.0)	1.99 (50.5)	2.33 (59.1)						
BV□□-FRP6-10-3	3/8 Female BSPP	6000 (414)	3000 (207)											
BV□□-FNS6-10-3	3/8 Female NPT	6000 (414)	3000 (207)			4.30 (109.2)	2.15 (54.6)	2.49 (63.3)						
BV□□-FRT8-10-3	1/2 Female BSPT	6000 (414)	3000 (207)											
BV□□-FRP8-10-3	1/2 Female BSPP	6000 (414)	3000 (207)			4.50 (114.2)	2.25 (57.1)	2.59 (65.8)						
BV□□-FNS8-10-3	1/2 Female NPT	6000 (414)	3000 (207)											
BV□□-FRT12-10-3	3/4 Female BSPT	6000 (414)	3000 (207)			4.44 (112.8)	2.22 (56.4)	2.56 (65.1)						
BV□□-FRP12-10-3	3/4 Female BSPP	6000 (414)	3000 (207)											
BV□□-FNS12-10-3	3/4 Female NPT	6000 (414)	3000 (207)											
BV□□-RT8-10-3	1/2 Male BSPT	6000 (414)	3000 (207)											
BV□□-BP8-10-3	1/2 Male BSPP	6000 (414)	3000 (207)											
BV□□-NS8-10-3	1/2 Male NPT	6000 (414)	3000 (207)											
BV□□-RT12-10-3	3/4 Male BSPT	6000 (414)	3000 (207)											
BV□□-BP12-10-3	3/4 Male BSPP	6000 (414)	3000 (207)											
BV□□-NS12-10-3	3/4 Male NPT	6000 (414)	3000 (207)											

Angle Pattern Valves



Basic Ordering Number	Connection Type and Size	Pressure Rating of End Connections @ 100°F (38°C), psig (bar)		Orifice in. (mm)	Cv	Dimensions, in. (mm)											
		316 SS	Brass			B	C	D	E	F	G	H	I				
BV□□-FL1-01-A	1/16" FITOK	6000 (414)	3000 (207)	0.05 (1.3)	0.06	1.30 (33.0)	1.35 (34.3)										
BV□□-FL2-02-A	1/8" FITOK	6000 (414)	3000 (207)	0.09 (2.4)	0.21	1.36 (34.5)	1.41 (35.8)										
BV□□-ML3-02-A	3 mm FITOK	6000 (414)	3000 (207)			1.37 (34.8)	1.42 (36.1)										
BV□□-FRT2-04-A	1/8 Female BSPT	6000 (414)	3000 (207)	0.12 (3.0)	0.28	1.07 (27.2)	1.12 (28.5)										
BV□□-FRP2-04-A	1/8 Female BSPP	6000 (414)	3000 (207)														
BV□□-FNS2-04-A	1/8 Female NPT	6000 (414)	3000 (207)					0.33 (8.5)	0.94 (23.9)	0.79 (20.0)	1.97 (50.0)	0.58 (14.7)	0.18 (4.6)				
BV□□-RT2-04-A	1/8 Male BSPT	6000 (414)	3000 (207)			1.18 (30.0)	1.23 (31.3)										
BV□□-BP2-04-A	1/8 Male BSPP	6000 (414)	3000 (207)														
BV□□-NS2-04-A	1/8 Male NPT	6000 (414)	3000 (207)														
BV□□-RT4-04-A	1/4 Male BSPT	6000 (414)	3000 (207)			1.35 (34.3)	1.40 (35.6)										
BV□□-BP4-04-A	1/4 Male BSPP	6000 (414)	3000 (207)														
BV□□-NS4-04-A	1/4 Male NPT	6000 (414)	3000 (207)														
BV□□-FL4-05-A	1/4" FITOK	6000 (414)	3000 (207)			0.19 (4.7)	0.70	1.74 (44.2)	1.88 (47.7)								
BV□□-ML6-05-A	6 mm FITOK	6000 (414)	3000 (207)	1.75 (44.5)	1.89 (48.0)												
BV□□-FL6-06-A	3/8" FITOK	6000 (414)	2200 (152)	1.80 (45.7)	1.94 (49.2)												
BV□□-ML8-06-A	8 mm FITOK	6000 (414)	2300 (159)	1.78 (45.2)	1.92 (48.7)												
BV□□-ML10-06-A	10 mm FITOK	6000 (414)	1900 (131)	1.81 (46.0)	1.95 (49.5)												
BV□□-FRT4-06-A	1/4 Female BSPT	6000 (414)	3000 (207)	1.51 (38.4)	1.65 (41.9)			0.48 (12.2)	1.24 (31.5)	0.59 (25.0)	2.64 (67.0)	0.77 (19.6)	0.25 (6.4)				
BV□□-FRP4-06-A	1/4 Female BSPP	6000 (414)	3000 (207)														
BV□□-FNS4-06-A	1/4 Female NPT	6000 (414)	3000 (207)														
BV□□-RT4-06-A	1/4 Male BSPT	6000 (414)	3000 (207)														
BV□□-BP4-06-A	1/4 Male BSPP	6000 (414)	3000 (207)														
BV□□-NS4-06-A	1/4 Male NPT	6000 (414)	3000 (207)	1.62 (41.1)	1.76 (44.6)												
BV□□-RT6-06-A	3/8 Male BSPT	6000 (414)	3000 (207)														
BV□□-BP6-06-A	3/8 Male BSPP	6000 (414)	3000 (207)														
BV□□-NS6-06-A	3/8 Male NPT	6000 (414)	3000 (207)														

Ball Valves
Plug Valves

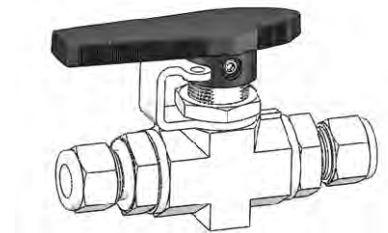
B-54 Ball Valves

Basic Ordering Number	Connection Type and Size	Pressure Rating of End Connections @ 100°F (38°C), psig (bar)		Orifice in. (mm)	Cv	Dimensions, in. (mm)							
	Connection 1/2	316 SS	Brass			B	C	D	E	F	G	H	I
BV□□-FL8-10-A	1/2" FITOK	6000 (414)	2100 (145)	0.37 (9.5)	3.48	2.34(59.4)	2.68(68.1)	0.71 (18.0)	1.54 (39.0)	1.42 (36.0)	3.78 (96.0)	0.90 (22.9)	0.38 (9.7)
BV□□-FL12-10-A	3/4" FITOK	5800 (400)	1800 (124)										
BV□□-ML12-10-A	12 mm FITOK	6000 (414)	2000 (138)										
BV□□-ML14-10-A	14 mm FITOK	6000 (414)	1900 (131)			2.33 (59.2)	2.67 (67.9)						
BV□□-ML16-10-A	16 mm FITOK	5800 (400)	1700 (117)										
BV□□-ML18-10-A	18 mm FITOK	5400 (372)	1600 (110)										
BV□□-ML20-10-A	20 mm FITOK	5500 (379)	1600 (110)			2.42 (61.5)	2.76 (70.2)						
BV□□-ML22-10-A	22 mm FITOK	4900 (338)	1450 (100)										
BV□□-FRT6-10-A	3/8 Female BSPT	6000 (414)	3000 (207)			1.95 (49.5)	2.29 (58.2)						
BV□□-FRP6-10-A	3/8 Female BSPP	6000 (414)	3000 (207)										
BV□□-FNS6-10-A	3/8 Female NPT	6000 (414)	3000 (207)										
BV□□-FRT8-10-A	1/2 Female BSPT	6000 (414)	3000 (207)			2.15 (54.6)	2.49 (63.3)						
BV□□-FRP8-10-A	1/2 Female BSPP	6000 (414)	3000 (207)			1.99 (50.5)	2.33 (59.1)						
BV□□-FNS8-10-A	1/2 Female NPT	6000 (414)	3000 (207)			2.15 (54.6)	2.49 (63.3)						
BV□□-FRT12-10-A	3/4 Female BSPT	6000 (414)	3000 (207)										
BV□□-FRP12-10-A	3/4 Female BSPP	6000 (414)	3000 (207)			2.25 (57.1)	2.59 (65.8)						
BV□□-FNS12-10-A	3/4 Female NPT	6000 (414)	3000 (207)										
BV□□-RT8-10-A	1/2 Male BSPT	6000 (414)	3000 (207)										
BV□□-BP8-10-A	1/2 Male BSPP	6000 (414)	3000 (207)										
BV□□-NS8-10-A	1/2 Male NPT	6000 (414)	3000 (207)										
BV□□-RT12-10-A	3/4 Male BSPT	6000 (414)	3000 (207)			2.22 (56.4)	2.56 (65.1)						
BV□□-BP12-10-A	3/4 Male BSPP	6000 (414)	3000 (207)										
BV□□-NS12-10-A	3/4 Male NPT	6000 (414)	3000 (207)										

1. FITOK means FITOK double ferrule tube fittings.
2. Sizes and types listed are standard. Other sizes and types are available upon request, please contact FITOK Group or our authorized distributors.
3. Dimensions are shown with tube fitting nuts finger-tightened. All dimensions are for reference only and are subject to change.
For dimensions not shown above, please contact FITOK Group or our authorized distributors.

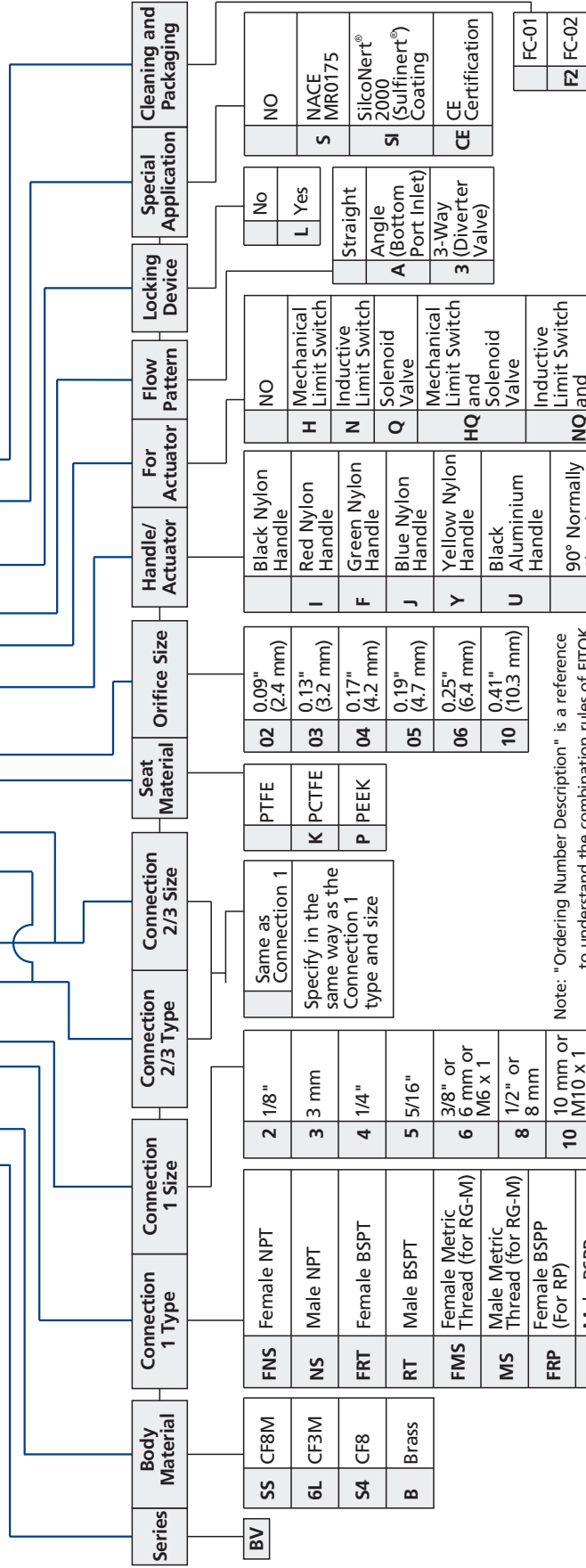
Locking Device

- ⦿ Lock the valve in the open or closed position.
- ⦿ Panel mounting not available.
- ⦿ To order a ball valve with locking device, add -L to the valve ordering number.
Example: BVSS-ML12-10-L



Ordering Number Description

BVSS - FL8 - ML12 - ML10 - P06 - RXHQ3 - L - SCEF2



Series	Body Material	Connection 1 Type	Connection 1 Size	Connection 2/3 Type	Connection 2/3 Size	Seat Material	Orifice Size	Handle/Actuator	For Actuator	Flow Pattern	Locking Device	Special Application	Cleaning and Packaging
BV	SS CF8M	FNS Female NPT	2 1/8"	Same as Connection 1	02	PTFE	0.09" (2.4 mm)	Black Nylon Handle	NO	NO	No	NO	NO
	6L CF3M	NS Male NPT	3 3 mm	Specify in the same way as the Connection 1 type and size	03	K PCTFE	0.13" (3.2 mm)	Red Nylon Handle	H	Mechanical Limit Switch	L Yes	S	NACE MR0175
	S4 CF8	FRT Female BSPT	4 1/4"		04	P PEEK	0.17" (4.2 mm)	Green Nylon Handle	N	Inductive Limit Switch		SI	SilcoNert® 2000 (Sulfinert®) Coating
	B Brass	RT Male BSPT	5 5/16"		05		0.19" (4.7 mm)	Blue Nylon Handle	Q	Solenoid Valve		CE	CE Certification
		FMS Female Metric Thread (for RG-M)	6 3/8" or 6 mm or M6 x 1		06		0.25" (6.4 mm)	Yellow Nylon Handle	HQ	Mechanical Limit Switch and Solenoid Valve			
		MS Male Metric Thread (for RG-M)	8 1/2" or 8 mm		10		0.41" (10.3 mm)	Black Aluminium Handle		Inductive Limit Switch and Solenoid Valve			
		FRP Female BSPP (For RP)	10 10 mm or M10 x 1					90° Normally Closed Pneumatic Actuator	C				FC-01
		BP Male BSPP (For RG)	12 3/4" or 12 mm										F2 FC-02
		FL Fractional Tube Fitting	14 14 mm or M14 x 1.5										
		ML Metric Tube Fitting	16 16 mm										
		UFB Rotatable Fractional Tube Butt Weld	18 18 mm										
		UIMB Rotatable Metric Tube Butt Weld	20 20 mm or M20 x 1.5										
		UPB Nut + Gasket + Pipe Bulged Nipple	22 22 mm or M22 x 1.5										
			24 M24 x 1.5										

Note: "Ordering Number Description" is a reference to understand the combination rules of FITOK product part number. Not all combinations are available.

- Standard thread pitch for metric threads are as follows:
M10 and below: 1 mm
M12 to M24: 1.5 mm
Standard thread pitch should be omitted in the ordering number, others should be specified.
- For oxygen-enriched environment or hazardous media service, contact FITOK Group or our authorized distributors.
- Cleaning and Packaging:
FC-01: Standard cleaning and packaging for general industrial procedures.
FC-02: Special cleaning and packaging for wetted system components to ensure compliance with product cleaning requirement of ASTM G93 Level C.

- For more information about pneumatic actuator ball valves, please refer to the catalog **Automatic Control Ball Valves**.
- SilcoNert® 2000 (Sulfinert®) Coating: Except for ball valves with PEEK seat, wetted metal components SilcoNert® 2000 (Sulfinert®) coated.
- CE certification is available. For more information, please contact FITOK group or our authorized distributors

High Temperature Metal-seated Ball Valves

BK Series

Features

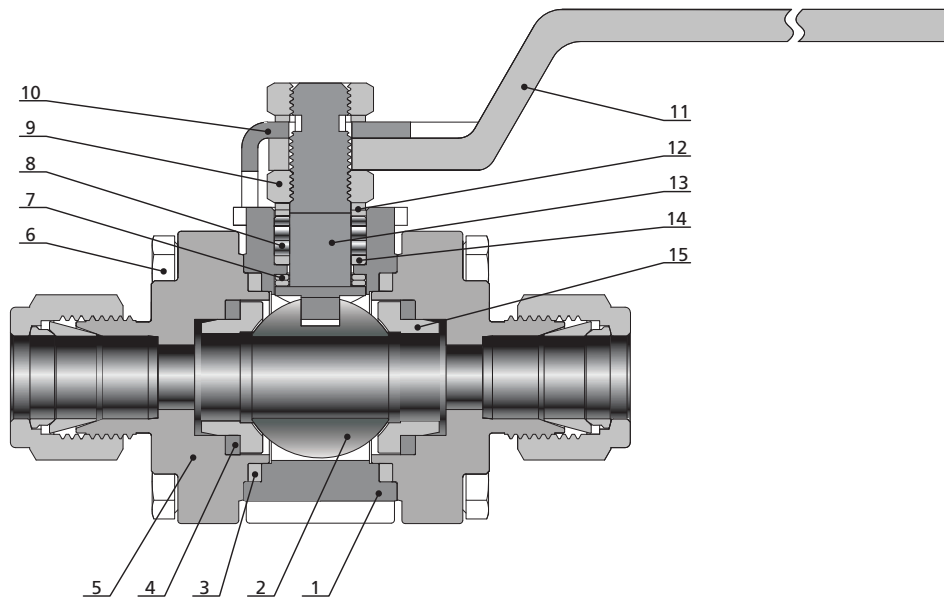
- ⦿ 3-piece precision cast body construction
- ⦿ Free floating ball design provides seat wear compensation
- ⦿ Ball and seats mate-lapped for 100% contact ensures absolute shutoff
- ⦿ High temperature resistant sealing materials for thermal service up to 662°F (350°C)
- ⦿ Blowout-proof stem
- ⦿ Positive handle stop
- ⦿ Orifice sizes: 0.5" (12.7 mm), 1" (25.4 mm), 1.5" (38.1 mm)
- ⦿ Variety of end connections
- ⦿ Test Standard: Low pressure gas tightness FCI 70-2 Class VI
High pressure liquid test ISO 5208 Rate D



Technical Data

Orifice, in. (mm)	0.5 (12.7), 1 (25.4), 1.5 (38.1)	
Material	316/304 SS	
Connection Type	FITOK Tube Fitting	Weld Fitting
Temperature, °F (°C)	-65 (-54) to 662 (350)	
Working Pressure, psig (bar)	1000 (69)	

Standard Materials of Construction

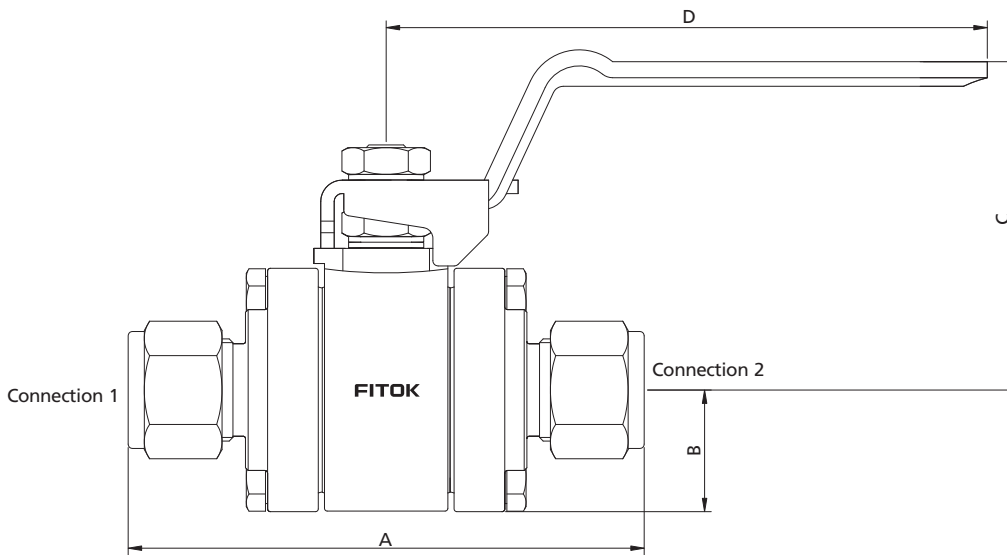


Item	Component	Material	
1	<i>Body</i>	<i>CF8M/A351</i>	<i>CF8/A351</i>
2	<i>Ball</i>	<i>316/304 SS, HVOF-sprayed WC coatings</i>	
3	<i>Flange Seal</i>	<i>Graphite</i>	
4	<i>Seat Packing</i>	<i>Graphite</i>	
5	<i>End Connection</i>	<i>CF8M/A351</i>	<i>CF8/A351</i>
6	Hex Bolt	Stainless Steel	
7	<i>Stem Bearing</i>	<i>Stellite 6/AMS5387</i>	
8	<i>Packing</i>	<i>Graphite</i>	
9	Hex Nut	316 SS/A479	
10	Stop Plate	304 SS/A240	
11	Handle	304 SS/A240	
12	Stem Spring	Strain-hardened 316 SS/A240	
13	<i>Stem</i>	<i>316 SS/A479</i>	
14	<i>Stem Washer</i>	<i>316 SS /A479</i>	
15	<i>Seat</i>	<i>316 SS/A479, hardfacing stellite</i>	<i>304 SS/A479, hardfacing stellite</i>

Note: Wetted components are listed in italics. For other materials, please contact FITOK Group or our authorized distributors.

Dimensions

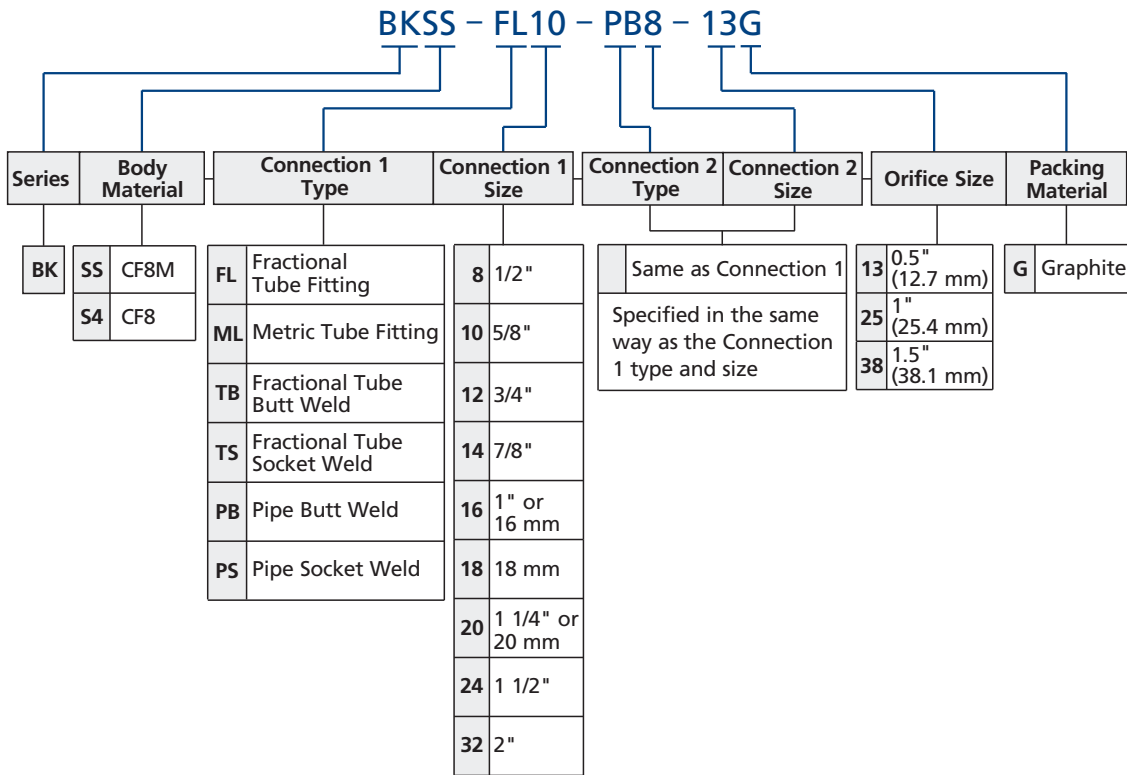
Dimensions are for reference only and are subject to change.



Basic Ordering Information	Connection Type		Orifice in. (mm)	Dimensions, in. (mm)			
	Connection 1	Connection 2		A	B	C	D
BK□□-FL8-13G	1/2" FITOK	1/2" FITOK	0.41 (10.4)	3.79" (96.2)	0.89" (22.7)	2.25" (57.1)	6.5" (165)
BK□□-FL10-13G	5/8" FITOK	5/8" FITOK	0.5 (12.7)	3.79" (96.2)	0.89" (22.7)	2.25" (57.1)	6.5" (165)
BK□□-FL12-13G	3/4" FITOK	3/4" FITOK		3.92" (99.6)	0.89" (22.7)	2.25" (57.1)	6.5" (165)
BK□□-ML16-13G	16 mm FITOK	16 mm FITOK		3.92" (99.6)	0.89" (22.7)	2.25" (57.1)	6.5" (165)
BK□□-ML18-13G	18 mm FITOK	18 mm FITOK		3.91" (99.4)	0.89" (22.7)	2.25" (57.1)	6.5" (165)
BK□□-TB12-13G	3/4" Tube Butt Weld	3/4" Tube Butt Weld		3.8" (96.6)	0.89" (22.7)	2.25" (57.1)	6.5" (165)
BK□□-TS12-13G	3/4" Tube Socket Weld	3/4" Tube Socket Weld		3.2" (80.2)	0.89" (22.7)	2.25" (57.1)	6.5" (165)
BK□□-PB8-13G	1/2" Pipe Butt Weld	1/2" Pipe Butt Weld		3.24" (82.34)	0.89" (22.7)	2.25" (57.1)	6.5" (165)
BK□□-PB12-13G	3/4" Pipe Butt Weld	3/4" Pipe Butt Weld		3.24" (82.34)	0.89" (22.7)	2.25" (57.1)	6.5" (165)
BK□□-TB24-25G	1 1/2" Tube Butt Weld	1 1/2" Tube Butt Weld		1 (25.4)	—	—	—
BK□□-TS20-25G	1 1/4" Tube Socket Weld	1 1/4" Tube Socket Weld	—		—	—	—
BK□□-PB20-25G	1 1/4" Pipe Butt Weld	1 1/4" Pipe Butt Weld	—		—	—	—
BK□□-TB32-38G	2" Tube Butt Weld	2" Tube Butt Weld	1.5 (38.1)	—	—	—	—
BK□□-PB24-38G	1 1/2" Pipe Butt Weld	1 1/2" Pipe Butt Weld		—	—	—	—
BK□□-PS24-38G	1 1/2" Pipe Socket Weld	1 1/2" Pipe Socket Weld		—	—	—	—

1. Connection type of "FITOK" means FITOK double ferrule tube fittings.
2. Sizes and types listed are standard. Other sizes and types are available upon request. For details, please contact FITOK Group or our authorized distributors.
3. Dimensions are shown with FITOK tube fitting nuts finger-tight. For dimensions not shown above, please contact FITOK Group or our authorized distributors.

Ordering Number Description



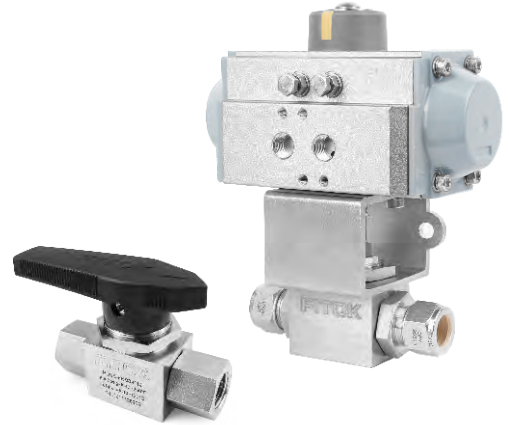
NOTE: "Ordering Number Description" is a reference to understand the combination rules of FITOK product part number. Not all combinations are available.

Alternative Fuel Service (AFS) Ball Valves

BU Series

Features

- ⦿ Working pressures up to 6000 psig (413 bar)
- ⦿ Working temperature: -40 to 250°F (-40 to 121°C)
- ⦿ High flow-Cv from 4.0 to 13.8
- ⦿ Low-temperature fluorocarbon material provides sealing capability over full temperature range
- ⦿ Spring-loaded seat provides leak-tight integrity in both low-and high-pressure systems and reduces seat wear from pressure surges
- ⦿ A variety of end connections available
- ⦿ Low operating torque
- ⦿ All wetted components are compatible with hydrogen and compressed natural gas (CNG)
- ⦿ No packing adjustment required
- ⦿ Bi-directional flow
- ⦿ Options for handle colors
- ⦿ Pneumatic actuators available
- ⦿ Each valve is leak tested with Nitrogen or compressed air at working pressure to meet a requirement of no visible leak
- ⦿ Field repairable with seal kit
- ⦿ ECE R110 type approval available

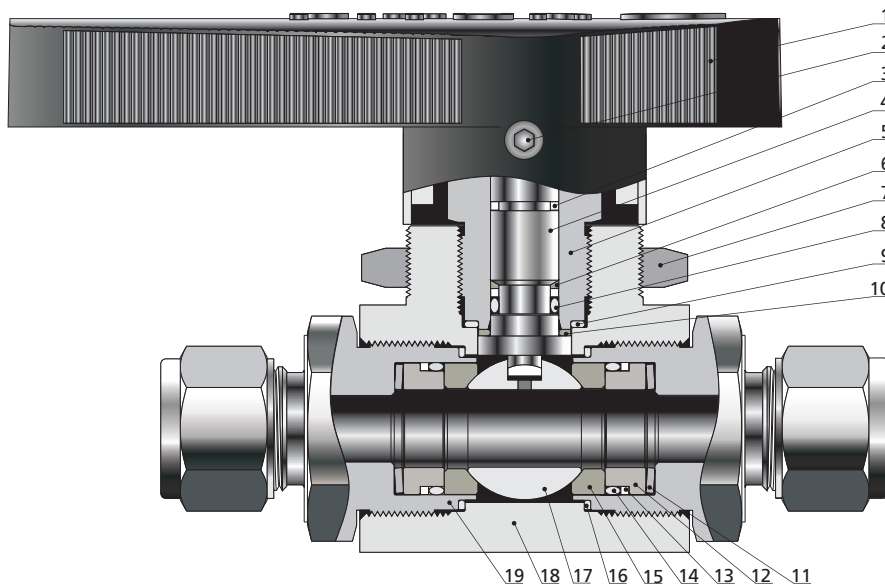


Pressure VS Temperature Ratings

End Connection	FITOK Tube Fitting			Female Pipe	
	3/8, 1/2 in., 12 mm	3/4 in., 16 mm	1 in.	3/8, 1/2 in.	3/4 in.
Temperature °F (°C)	Working Pressure, psig (bar)				
-40 (-40) ~ 250 (121)	6000 (414)	5800 (400)	4700 (324)	6000 (414)	6000 (414)

Note: Ratings are based on valves of standard materials.

Standard Materials of Construction



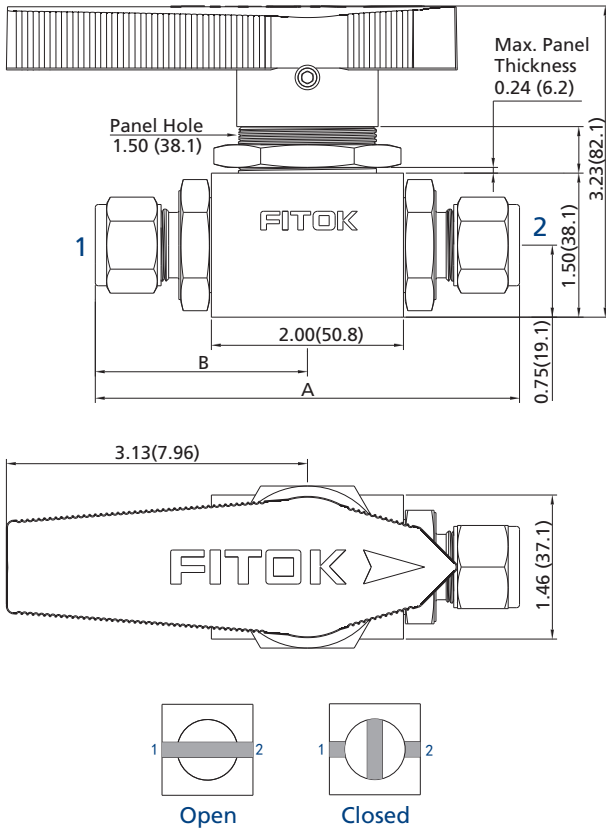
Item	Component	Material/ASTM Specification
1	Handle	Nylon with stainless steel insert
2	Set screw	Zinc-plated carbon steel
3	<i>Guide ring</i>	<i>PTFE/D1710</i>
4	<i>Stem</i>	<i>316 SS/A479</i>
5	<i>Packing bolt</i>	<i>316 SS/A479</i>
6	<i>Stem backup ring</i>	<i>PEEK</i>
7	Lock nut	316 SS/A479
8	<i>Stem O-ring</i>	<i>Low-temperature fluorocarbon</i>
9	<i>Packing bolt washer</i>	<i>Silver-plated 316 SS/A269</i>
10	<i>Thrust washer</i>	<i>PEEK</i>
11	<i>Coned-disc spring</i>	<i>316 SS/A240</i>
12	<i>Seat gland</i>	<i>316 SS/A479</i>
13	<i>Seat backup ring</i>	<i>PTFE/D1710</i>
14	<i>Seat O-ring</i>	<i>Low-temperature fluorocarbon</i>
15	<i>Seat</i>	<i>PEEK</i>
16	<i>End connection gasket</i>	<i>Silver-plated 316 SS/A269</i>
17	<i>Ball</i>	<i>316 SS/A479</i>
18	<i>Body</i>	<i>316 SS/A479</i>
19	<i>End connection</i>	<i>316 SS/A479</i>
	<i>Lubricant</i>	<i>PTFE-based</i>

Note: Wetted components listed in italics.

B-62 Ball Valves

Dimensions

Dimensions in in. (mm) are for reference only and subject to change.



Ball Valves
Plug Valves

Ordering Number	Connection ^① Type and Size	Cv	Orifice in. (mm)	Dimensions in. (mm)	
				A	B
BUSS-ML10-P12	10 mm FITOK	5.2	0.31 (7.9)	4.21 (107)	2.11 (53.5)
BUSS-ML12-P12	12 mm FITOK	5.2	0.41 (10.3)	4.42 (112.2)	2.21 (56.1)
BUSS-ML16-P12	16 mm FITOK	12.4	0.47 (12.0)	4.42 (112.3)	2.21 (56.2)
BUSS-FL6-P12	3/8" FITOK	4.0	0.28 (7.1)	4.20 (106.6)	2.10 (53.3)
BUSS-FL8-P12	1/2" FITOK	7.2	0.41 (10.3)	4.40 (111.8)	2.20 (55.9)
BUSS-FL12-P12	3/4" FITOK	7.1	0.47 (12.0)	4.50 (114.3)	2.46 (62.5)
BUSS-FL16-P12 ^②	1" FITOK	6.5	0.47 (12.0)	4.93 (125.1)	2.25 (57.1)
BUSS-FNS6-P12	3/8" Female NPT	11.0	0.47 (12.0)	4.01 (102)	2.00 (50.8)
BUSS-FNS8-P12	1/2" Female NPT	13.8		4.01 (102)	2.00 (50.8)
BUSS-FNS12-P12	3/4" Female NPT	7.8		4.13 (105)	2.06 (52.3)
BUSS-FRT8-P12	1/2" Female BSPT	13.8		4.01 (102)	2.00 (50.8)

Note: Dimensions shown with FITOK tube fitting nuts finger-tight.

① Valves can be ordered with two different end connections.

Contact FITOK Group or our authorized distributors.

② Not recommended for panel mounting; not available with pneumatic actuator.

CNG/NGV Application

ECE R110 Manual Service Valve Type Approval

Classification: Class 0

Temperature: -40 to 248°F (-40 to 120°C)

Pressure: 3370 psig (260 bar)

To order, add **-R110** to the valve ordering number.

Example: BUSS-ML12-P12-**R110**

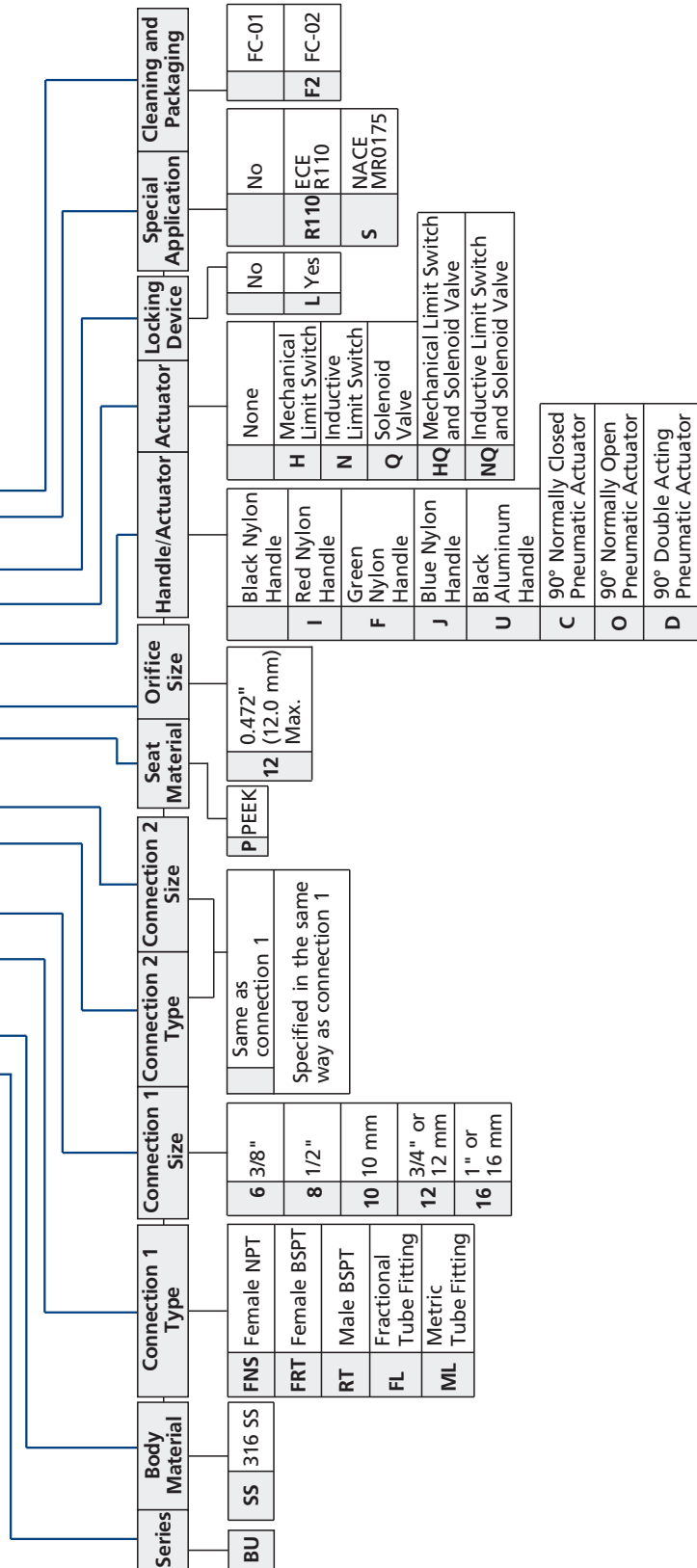
Seal kit for field replacement is available, see "Seal Kits".

Seal Kits

Seal Kit Name	Seal Kit Ordering Number	Seal Kit Content
Seat seal kit	SS-BU-P-SE	Seat, seat backup ring, seat O-ring, coned-disc spring, end connection gasket, instructions.
Stem and seat seal kit	SS-BU-P	Guide ring, stem backup ring, stem O-ring, packing bolt washer, thrust washer, seat, seat backup ring, seat O-ring, coned-disc spring, end connection gasket, instructions

Ordering Number Description

BUSS – ML12 – FL12 – P12 – OHQL – SF2



Note: "Ordering Number Description" is a reference to understand the combination rules of FITOK product part number. Not all combinations are available.

1. Standard thread pitch for metric threads are as follows:

M10 and below: 1 mm

M12 to M24: 1.5 mm

Standard thread pitch is omitted in ordering number.

For special thread pitch, specify in the ordering number.

2. For oxygen-enriched environment or hazardous media service, contact FITOK Group or our authorized distributors.

3. Cleaning and Packaging:

FC-01: Standard cleaning and packaging for general industrial procedures.

FC-02: Special cleaning and packaging for wetted system components to ensure compliance with product cleaning requirement of ASTM G93 Level C.

4. For more details about ball valves with pneumatic actuators, refer to Automatic Control Ball Valves.

5. Certifications do not include attachments to the valve, such as actuators or a different handle mechanism.

info@fitokgroup.com
www.fitokgroup.com

FK-IC-GV-01-EN-220622