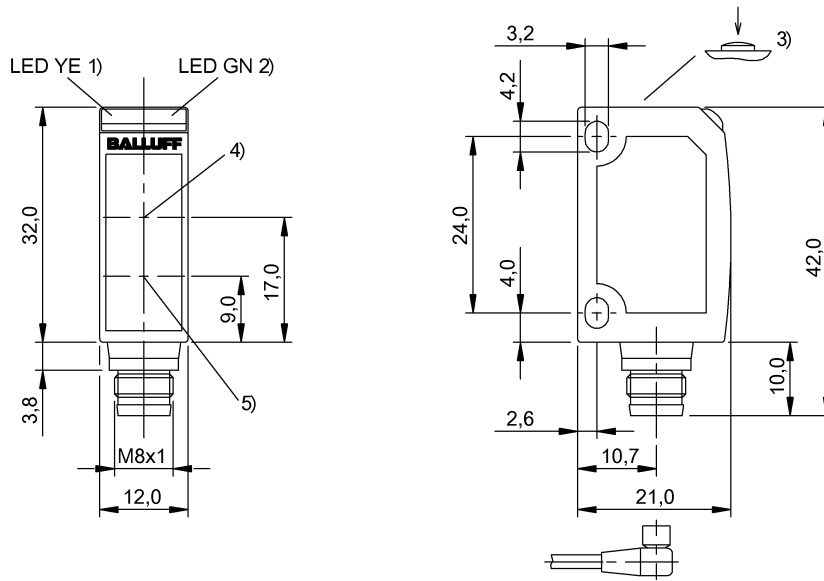


BOS 6K-PU-1LHA-S75-C BOS00A0



1) Light reception 2) Stability 3) Sn, light/dark 4) Optical axis receiver 5) Optical axis emitter



Display/Operation

Adjuster	Key (1x)
Setting	Factory setting (Reset) Light-on/dark-on Rated switching distance (Sn)

Electrical connection

Connection	M8x1-Connector, 4-pole
Polarity reversal protected	yes
Short-circuit protection	yes

Electrical data

No-load current I_0 max. at U_e	30 mA
Operating voltage U_b	10...30 VDC
Pulse duration t max.	3000 μ s
Rated operating current I_e DC	100 mA
Rated operating voltage U_e DC	24 V
Switching frequency	1000 Hz
Turn-off delay t_{off} max.	0.5 ms
Turn-on delay t_{on} max.	0.5 ms
Voltage drop U_d max. at I_e	2.4 V

Environmental conditions

Ambient temperature	-20...60 °C
Protection class	II
Protection type IEC 60529	IP67

General data

Approval/Conformity	cULus CE
---------------------	-------------

Internet www.balluff.com
Balluff Germany +49 (0) 7158 173-0, 173-370
Balluff USA 1-800-543-8390
Balluff China +86 (0) 21-50 644131

Basic standard	IEC 60947-5-2
Series	6K
Style	Square Connection 90°

Material

Housing material	ABS
Material sensing surface	PMMA

Mechanical data

Dimension	12 x 42 x 21 mm
Fastening detail	Screw M3

Optical data

Average power P_0 max.	390 μ W
Beam characteristic	Focused
Laser class per IEC 60825-1	1
Light type	Laser Red light
Special optical feature	Background suppression
Wave length	650 nm

Output/Interface

Input function	Key disable on/off Same function as button
Switching output	PNP Normally open/Normally closed (NO/NC)

Range/Distance

Distance deviation 18 % max. (% of S_r)	7 % to 90 % rem.
Measuring range	20...60 mm

For definitions of terms, see main catalog
Subject to change without notice

eCl@ss 9.1: 27-27-09-04
ETIM 6.0: EC001822
BOS00A0_09-03-17_18:21

BOS 6K-PU-1LHA-S75-C BOS00A0

Range 20...60 mm
 Rated operating distance Sn 60 mm, Adjustable

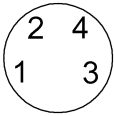
Only for applications per NFPA 79 (machines with a supply voltage of maximum 600 V). Use an R/C (CYJV2) cable with suitable properties for attaching the device.

The sensor is functional again after the overload has been eliminated.
 Reference object (target): gray card, 200 x 200, 18 % remission, axial approach.

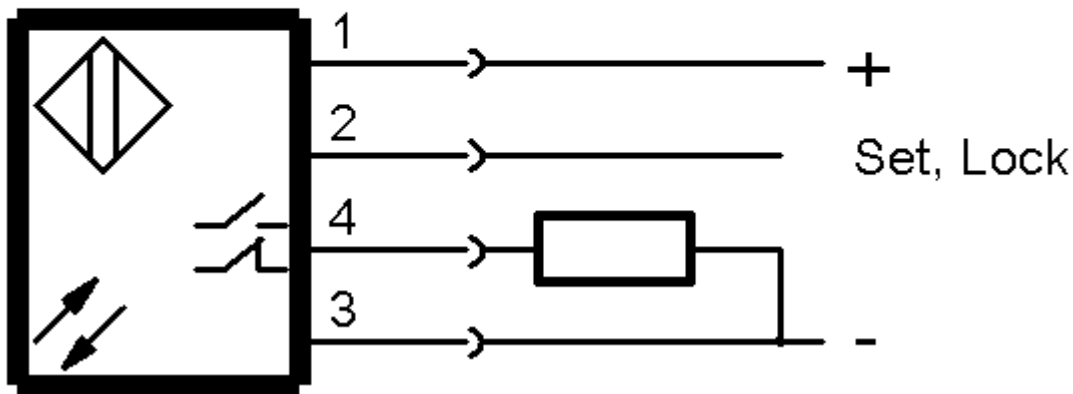
Remarks

Do not press key using a pointed tool.
 Order accessories separately.
 For additional information, refer to user's guide.

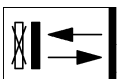
Connector view



Wiring Diagram

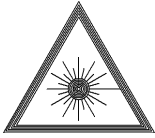


Symbols for Optoelectronic Sensors



BOS 6K-PU-1LHA-S75-C
BOS00A0

Warning Symbols



LASER CLASS 1 per IEC 60825-1