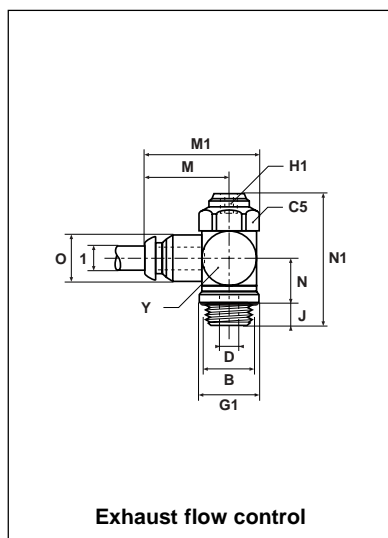


# Pneumatic integrated function fittings

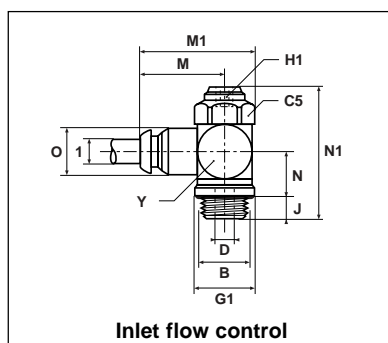
## PTF4/8PB - Flow regulator with push-in connection



1	B	Part number	C5	D	G1	H1	J	M	M1	N	N1	O	Y	Weight g.
4	M5x0.8	<b>PTF8PB4M5*</b>	8	1.65	10.0	1.5	4	19.5	24.5	6.3	22.0	10	10	14
4	1/8	<b>PTF4PB4-1/8</b>	14	3.00	14.4	2.0	6	22.0	30.1	10.7	34.5	10	14	35
6	M5x0.8	<b>PTF8PB6M5*</b>	8	1.65	10.0	1.5	4	20.5	26.5	7.3	24.5	12	12	19
6	1/8	<b>PTF4PB6-1/8</b>	14	3.20	14.4	2.0	6	23.5	31.6	10.7	34.5	12	14	37
6	1/4	<b>PTF4PB6-1/4</b>	17	5.20	18.4	4.0	7	25.0	34.9	13.8	41.0	12	17	65
6	3/8	<b>PTF4PB6-3/8</b>	22	5.50	21.6	4.0	7	28.0	40.7	17.3	51.0	12	22	142
8	1/8	<b>PTF4PB8-1/8</b>	14	3.20	14.4	2.0	6	25.0	33.1	10.7	34.5	14	14	43
8	1/4	<b>PTF4PB8-1/4</b>	17	5.20	18.4	4.0	7	28.5	38.3	13.8	41.0	14	17	70
8	3/8	<b>PTF4PB8-3/8</b>	22	6.00	21.6	4.0	7	29.5	42.2	17.3	51.0	14	22	146
10	1/4	<b>PTF4PB10-1/4</b>	17	5.20	18.4	4.0	7	31.5	41.3	13.8	41.0	17	17	67
10	3/8	<b>PTF4PB10-3/8</b>	22	6.00	21.6	4.0	7	34.0	46.7	17.3	51.0	17	22	131
10	1/2	<b>PTF4PB10-1/2</b>	27	8.00	26.5	4.0	9	36.5	52.1	20.1	61.0	17	27	231
12	3/8	<b>PTF4PB12-3/8</b>	22	6.00	21.6	4.0	7	34.0	46.7	17.3	51.0	20	22	200
12	1/2	<b>PTF4PB12-1/2</b>	27	8.50	26.5	4.0	9	36.5	52.1	20.1	61.0	20	27	232

\* These fittings are supplied with Nylon seal.

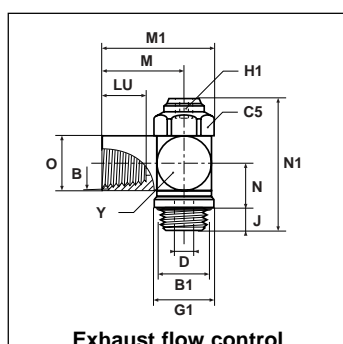
## PTFA4/8PB - Flow regulator with push-in connection



1	B	Part number	C5	D	G1	H1	J	M	M1	N	N1	O	Y	Weight g.
4	M5x0.8	<b>PTFA8PB4M5*</b>	8	1.65	10.0	1.5	4	19.5	24.5	6.3	22.0	10	10	14
4	1/8	<b>PTFA4PB4-1/8</b>	14	3.00	14.4	2.0	6	22.0	30.1	10.7	34.5	10	14	35
6	M5x0.8	<b>PTFA8PB6M5*</b>	8	1.65	10.0	1.5	4	20.5	26.5	7.3	24.5	12	12	19
6	1/8	<b>PTFA4PB6-1/8</b>	14	3.20	14.4	2.0	6	23.5	31.6	10.7	34.5	12	14	37
6	1/4	<b>PTFA4PB6-1/4</b>	17	5.20	18.4	4.0	7	25.0	34.9	13.8	41.0	12	17	65
8	1/8	<b>PTFA4PB8-1/8</b>	14	3.20	14.4	2.0	6	25.0	33.1	10.7	34.5	14	14	43
8	1/4	<b>PTFA4PB8-1/4</b>	17	5.20	18.4	4.0	7	28.5	38.3	13.8	41.0	14	17	70

\* These fittings are supplied with Nylon seal.

## PTF4 - Flow regulator with threaded connection



B	B1	Part number	C5	D	G1	H1	J	LU	M	M1	N	N1	O	Y	Weight g.
1/8	1/8	<b>PTF4-1/8</b>	14	3.2	14.4	2	6	8.5	17.5	25.6	10.7	34.5	13.9	14	38
1/4	1/4	<b>PTF4-1/4</b>	17	5.2	18.4	4	7	12.5	24.5	34.3	10.7	34.5	16.9	17	85
3/8	3/8	<b>PTF4-3/8</b>	22	6.0	21.6	4	7	12.5	27.5	40.2	13.8	41.0	21.6	22	260
1/2	1/2	<b>PTF4-1/2</b>	27	8.5	26.5	4	9	14.5	33.5	49.1	17.3	51.0	26.5	27	323

Parker Prestoflow with push-in connections are designed to be used with Parker calibrated polyamide or polyurethane tubing. See Thermoplastic singles tubes & Pneumo-Tube bundles section (P).

**For product availability please consult our price list 0093-UK.**

Dimensions shown may be changed at any time without prior notice.