

Technical data sheet

Suppression Technology · Motor suppression

Motor suppression for DIN rail mounting

For AC motors up to 30 kW, 3 AC x 500 V

Protection device: RC module



Identification

Type LRC-M2-0492 3AC 500V 15kW
Part No. [700492](#)

Product version

Datasheet version 01

Technical data

Type of function Motor suppression
Protection device RC module
Rated voltage U_N 3× AC 500 V
Rated frequency f_N 50 Hz / 60 Hz
Engine power 15 kW
Type of connecting lead 1.0 mm² PVC
Cable length 0.22 m

General

Design M 2
Potting compound 2-components
Conductor color black
Housing material PPO
Color of the housing grey
Degree of pollution 3
Degree of protection IP67

United Kingdom: LÜTZE Ltd.

Unit 3, Sandy Hill Park
Sandy Way, Amington • GB-Tamworth, Staffs B77 4DU
Tel. +44 (0)1827 31333-0 • Fax +44 (0)1827 31333-2
www.lutze.com • sales.gb@lutze.co.uk

Germany: Friedrich Lütze GmbH

Postfach 12 24 (PLZ 71366) • Bruckwiesenstraße 17-19 • D-71384 Weinstadt
Tel. +49 (0)7151 6053-0 • Fax +49 (0)7151 6053-277(-288)
www.luetze.de • info@luetze.de

20.09.2023 • Subject to technical modification

Part No. [700492](#) • Datasheet version: 01

page 1 of 3



SYSTEMATIC TECHNOLOGY

Technical data sheet

Suppression Technology · Motor suppression

Mounting	DIN rail mounting 2 snap-on sockets Attachment hole m 4
Connection type	Fork-type cable lug M 4
Operation temperature range	-20 °C ... +60 °C
Storage temperature range	-40 °C ... +90 °C
Dimensions (w × h × d)	20.0 mm × 80.0 mm × 58.0 mm
Weight/unit	0.119 kg
PU (units)	10

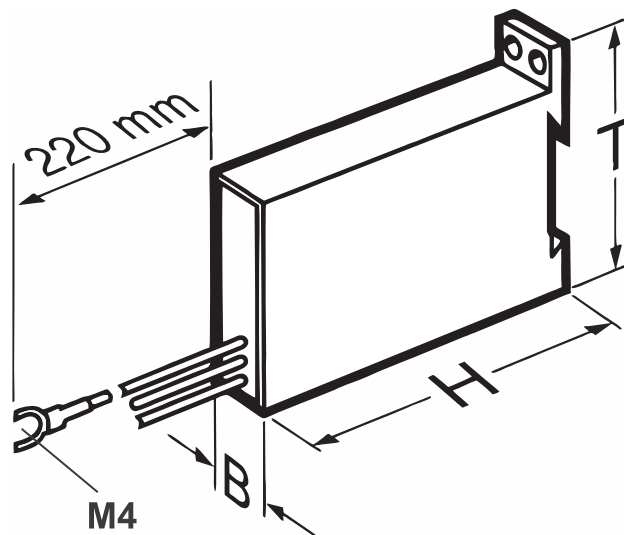
Certifications/Standards

Certifications	cURus (E135145)
----------------	-----------------

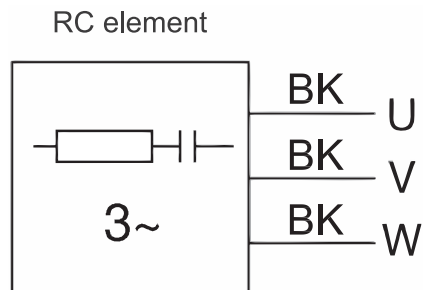
Equipment/Spare parts

Accessories	Snap-on socket type 2, grey: Part-No. 700499 DIN rail mounting PU: 10 units
-------------	---

Dimensions



PIN assignment



Technical data sheet

Suppression Technology · Motor suppression

Drilling pictures

