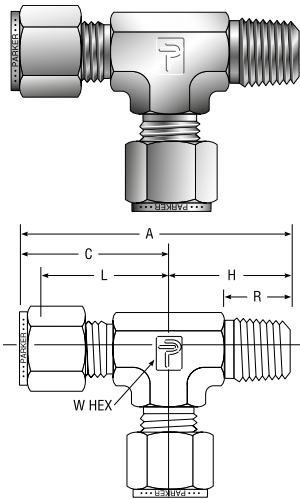


# Tube to Male Pipe

## NPT Male Run Tee For fractional tube

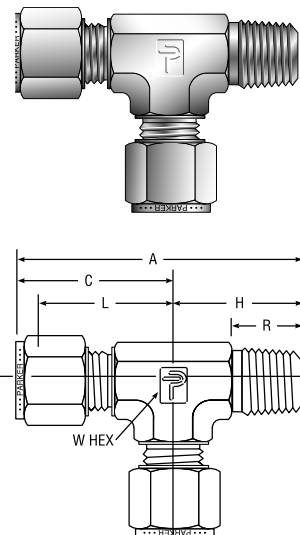


| CPI™<br>PART NO. | A-LOK®<br>PART NO. | INTER-<br>CHANGES<br>WITH | INCHES       |                    |      |      |      |      |     |          |
|------------------|--------------------|---------------------------|--------------|--------------------|------|------|------|------|-----|----------|
|                  |                    |                           | TUBE<br>O.D. | NPT PIPE<br>THREAD | A    | C    | H    | L    | R   | W<br>HEX |
| 2-2-2 RBZ        | 2MRT2N             | 200-3-2TMT                | 1/8          | 1/8                | 1.63 | 0.93 | 0.71 | 0.66 | .38 | 7/16     |
| 2-4-2 RBZ        | 2MRT4N             | 200-3-4TMT                | 1/8          | 1/4                | 1.89 | 0.97 | 0.93 | 0.70 | .56 | 9/16     |
| 3-2-3 RBZ        | 3MRT2N             | 300-3-2TMT                | 3/16         | 1/8                | 1.66 | 0.96 | 0.70 | 0.70 | .38 | 7/16     |
| 4-2-4 RBZ        | 4MRT2N             | 400-3-2TMT                | 1/4          | 1/8                | 1.80 | 1.06 | 0.74 | 0.77 | .38 | 1/2      |
| 4-4-4 RBZ        | 4MRT4N             | 400-3-4TMT                | 1/4          | 1/4                | 1.98 | 1.06 | 0.93 | 0.77 | .56 | 1/2      |
| 5-2-5 RBZ        | 5MRT2N             | 500-3-2TMT                | 5/16         | 1/8                | 1.99 | 1.17 | 0.82 | 0.88 | .38 | 5/8      |
| 5-4-5 RBZ        | 5MRT4N             | 500-3-4TMT                | 5/16         | 1/4                | 2.18 | 1.17 | 1.01 | 0.88 | .56 | 5/8      |
| 6-4-6 RBZ        | 6MRT4N             | 600-3-4TMT                | 3/8          | 1/4                | 2.20 | 1.20 | 1.01 | 0.91 | .56 | 5/8      |
| 6-6-6 RBZ        | 6MRT6N             | 600-3-6TMT                | 3/8          | 3/8                | 2.42 | 1.31 | 1.12 | 1.02 | .56 | 13/16    |
| 8-6-8 RBZ        | 8MRT6N             | 810-3-6TMT                | 1/2          | 3/8                | 2.53 | 1.42 | 1.12 | 1.02 | .56 | 13/16    |
| 8-8-8 RBZ        | 8MRT8N             | 810-3-8TMT                | 1/2          | 1/2                | 2.72 | 1.42 | 1.31 | 1.02 | .75 | 7/8      |
| 10-8-10 RBZ      | 10MRT8N            | 1010-3-8TMT               | 5/8          | 1/2                | 2.88 | 1.50 | 1.39 | 1.10 | .75 | 15/16    |
| 12-12-12 RBZ     | 12MRT12N           | 1210-3-12TMT              | 3/4          | 3/4                | 3.02 | 1.57 | 1.46 | 1.17 | .75 | 1-1/16   |
| 14-12-14 RBZ     | 14MRT12N           | 1410-3-12TMT              | 7/8          | 3/4                | 3.41 | 1.76 | 1.65 | 1.36 | .75 | 1-3/8    |
| 16-12-16 RBZ     | 16MRT12N           | 1610-3-12TMT              | 1            | 3/4                | 3.59 | 1.94 | 1.65 | 1.45 | .75 | 1-3/8    |
| 16-16-16 RBZ     | 16MRT16N           | 1610-3-16TMT              | 1            | 1                  | 3.78 | 1.94 | 1.84 | 1.45 | .94 | 1-3/8    |

NOTE: A and C dimensions are typical finger-tight.

Dimensions for reference only, subject to change.

## NPT Male Run Tee For metric tube



| CPI™<br>PART NO. | A-LOK®<br>PART NO. | INTER-<br>CHANGES<br>WITH | MILLIMETERS  |               |      |      |      |      |      | INCHES   |  |
|------------------|--------------------|---------------------------|--------------|---------------|------|------|------|------|------|----------|--|
|                  |                    |                           | TUBE<br>O.D. | NPT<br>THREAD | A    | C    | H    | L    | R    | W<br>HEX |  |
| RBZ 6-1/8-6      | M6MRT1/8N          | 6MO-3-2TMT                | 6            | 1/8           | 45,8 | 27,0 | 18,0 | 19,6 | 9,7  | 1/2      |  |
| RBZ 6-1/4-6      | M6MRT1/4N          | 6MO-3-4TMT                | 6            | 1/4           | 50,3 | 27,0 | 23,4 | 19,6 | 14,2 | 1/2      |  |
| RBZ 8-1/8-8      | M8MRT1/8N          | 8MO-3-2TMT                | 8            | 1/8           | 50,7 | 29,9 | 20,8 | 22,4 | 9,7  | 5/8      |  |
| RBZ 8-1/4-8      | M8MRT1/4N          | 8MO-3-4TMT                | 8            | 1/4           | 55,3 | 29,9 | 25,4 | 22,4 | 14,2 | 5/8      |  |
| RBZ 10-1/4-10    | M10MRT1/4N         | 10MO-3-4TMT               | 10           | 1/4           | 61,7 | 33,5 | 28,2 | 25,9 | 14,2 | 13/16    |  |
| RBZ 10-1/2-10    | M10MRT1/2N         | 10MO-3-8TMT               | 10           | 1/2           | 66,5 | 33,5 | 33,0 | 25,9 | 19,0 | 13/16    |  |
| RBZ 12-1/4-12    | M12MRT1/4N         | 12MO-3-4TMT               | 12           | 1/4           | 64,2 | 36,0 | 28,2 | 25,9 | 14,2 | 13/16    |  |
| RBZ 12-3/8-12    | M12MRT3/8N         | 12MO-3-6TMT               | 12           | 3/8           | 64,2 | 36,0 | 28,2 | 25,9 | 14,2 | 13/16    |  |
| RBZ 12-1/2-12    | M12MRT1/2N         | 12MO-3-8TMT               | 12           | 1/2           | 69,0 | 36,0 | 33,0 | 25,9 | 19,0 | 13/16    |  |
| RBZ 16-1-16      | M16MRT1N           | 16MO-3-16TMT              | 16           | 1             | 93,1 | 46,6 | 46,5 | 34,4 | 23,9 | 1-3/8    |  |

NOTE: A and C dimensions are typical finger-tight.

Dimensions for reference only, subject to change.

## Color Coding

For easy reference, table column headings are color indicated as follows:

fractional

metric