



Circuit breaker size S2 for motor protection, Class 10 A-release 18...25 A Short-circuit release 325 A Screw terminal Standard switching capacity !!! Phased-out product !!! Successor is SIRIUS 3RV2 Preferred successor type is >>3RV2031-4DA10<<

product brand name	SIRIUS
product designation	circuit breaker
design of the product	for motor protection
General technical data	
product extension auxiliary switch	Yes
power loss [W] for rated value of the current	
• at AC in hot operating state	14.5 W
• at AC in hot operating state per pole	4.8 W
surge voltage resistance rated value	6 000 V
protection class IP on the front	IP20
shock resistance	25g / 11 ms
mechanical service life (operating cycles) of the main contacts typical	50 000
continuous current rated value	25 A
Substance Prohibition (Date)	07/01/2006
SVHC substance name	Lead - 7439-92-1
Ambient conditions	
installation altitude at height above sea level maximum	2 000 m
ambient temperature	
• during operation	-20 ... +60 °C
• during storage	-50 ... +80 °C
• during transport	-50 ... +80 °C
Main circuit	
number of poles for main current circuit	3
adjustable current response value current of the current-dependent overload release	18 ... 25 A
operating voltage	
• rated value	690 V
• at AC-3 rated value maximum	690 V
operational current at AC-3 at 400 V rated value	25 A
operating power at AC-3	
• at 400 V rated value	11 kW
operating frequency at AC-3 maximum	15 1/h
Auxiliary circuit	
number of CO contacts for auxiliary contacts	0
Protective and monitoring functions	
product function	
• ground fault detection	No
• phase failure detection	Yes
trip class	CLASS 10
maximum short-circuit current breaking capacity (Icu)	

- at AC at 240 V rated value 100 kA
- at AC at 400 V rated value 50 kA
- at AC at 500 V rated value 12 kA
- at AC at 690 V rated value 5 kA

Short-circuit protection

design of the overcurrent release and short-circuit release thermomagnetic

Installation/ mounting/ dimensions

mounting position	any
fastening method	screw and snap-on mounting onto 35 mm DIN rail according to DIN EN 50022
height	140 mm
width	55 mm
depth	149 mm
required spacing with side-by-side mounting	
• backwards	0 mm
• at the side	0 mm

Connections/ Terminals

product component removable terminal for auxiliary and control circuit	No
type of electrical connection	
• for main current circuit	screw-type terminals with box terminals
• for auxiliary and control circuit	screw-type terminals
arrangement of electrical connectors for main current circuit	front side
type of connectable conductor cross-sections for main contacts	
• solid	2x (0.75 ... 16 mm ²)
• stranded	2x (0.75 ... 25 mm ²), 1x (0.75 ... 35 mm ²)
• finely stranded with core end processing	2x (0.75 ... 16 mm ²), 0.75 ... 25 mm ²

Electrical Safety

touch protection against electrical shock finger-safe

Approvals Certificates

General Product Approval



[Confirmation](#)



For use in hazardous locations

Test Certificates

Marine / Shipping



[Type Test Certificates/Test Report](#)

[Special Test Certificate](#)



other

Railway

Environment

[Miscellaneous](#)

[Confirmation](#)



[Special Test Certificate](#)

[Environmental Confirmations](#)

Further information

Information on the packaging

<https://support.industry.siemens.com/cs/ww/en/view/109813875>

Information- and Downloadcenter (Catalogs, Brochures,...)

<https://www.siemens.com/ic10>

Industry Mall (Online ordering system)

<https://mall.industry.siemens.com/mall/en/en/Catalog/product?mlfb=3RV1031-4DA10>

Cax online generator

<http://support.automation.siemens.com/WW/CAXorder/default.aspx?lang=en&mlfb=3RV1031-4DA10>

Service&Support (Manuals, Certificates, Characteristics, FAQs,...)

<https://support.industry.siemens.com/cs/ww/en/ps/3RV1031-4DA10>

Image database (product images, 2D dimension drawings, 3D models, device circuit diagrams, EPLAN macros, ...)

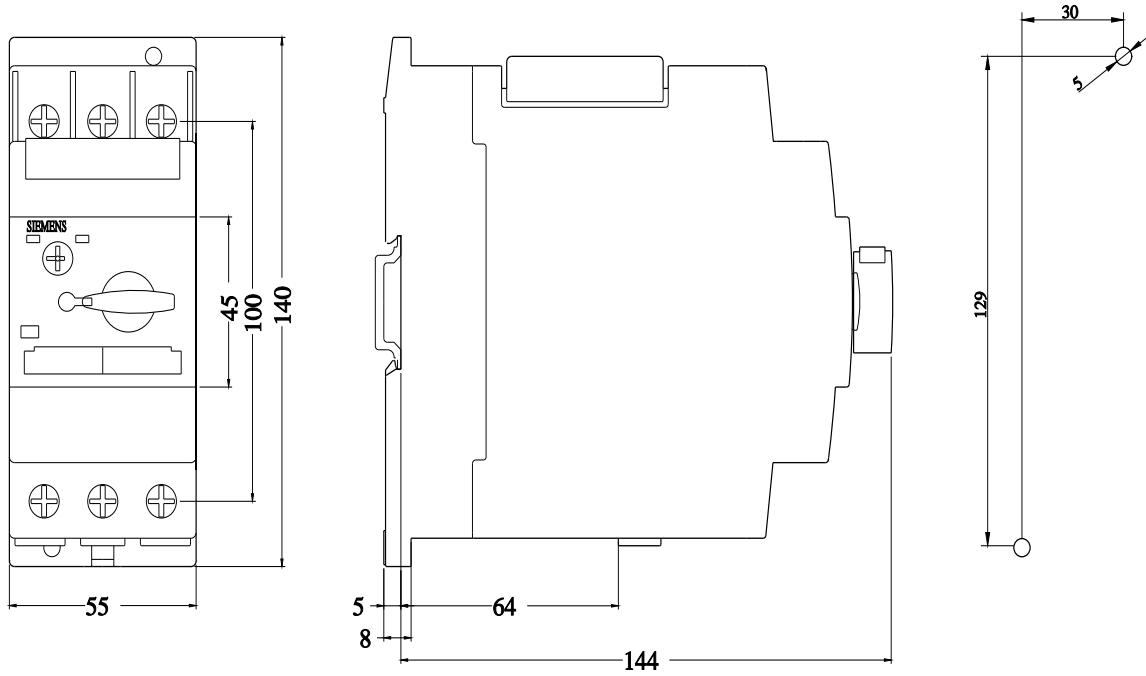
http://www.automation.siemens.com/bilddb/cax_de.aspx?mlfb=3RV1031-4DA10&lang=en

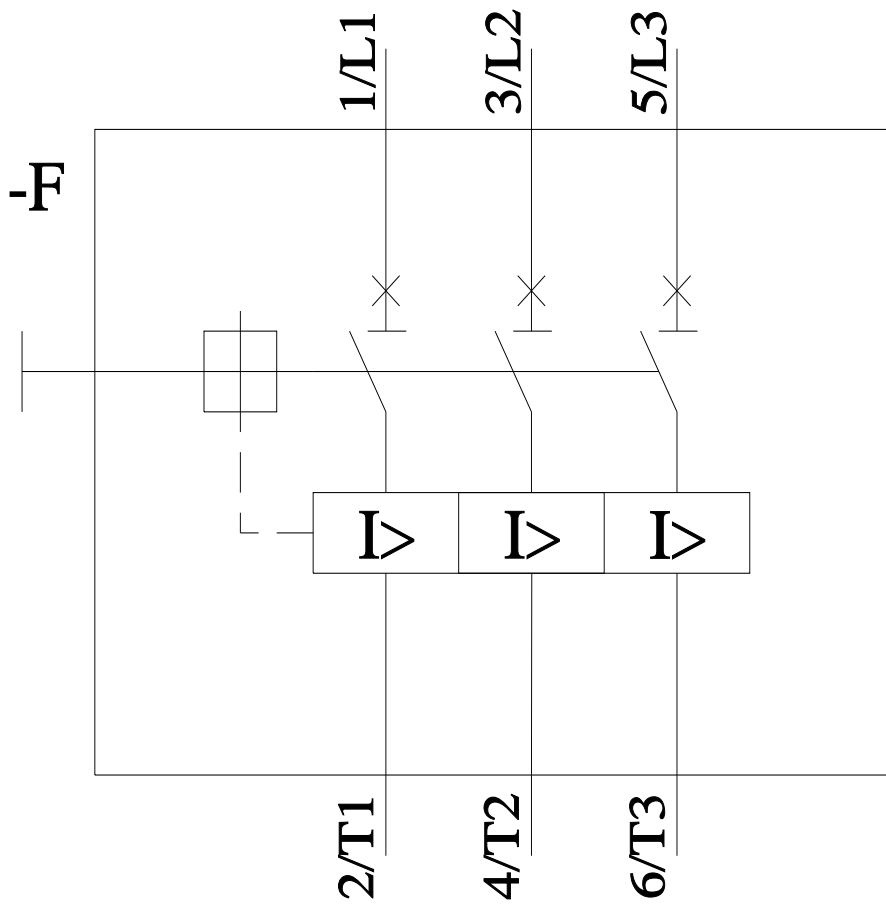
Characteristic: Tripping characteristics, I²t, Let-through current

<https://support.industry.siemens.com/cs/ww/en/ps/3RV1031-4DA10/char>

Further characteristics (e.g. electrical endurance, switching frequency)

<http://www.automation.siemens.com/bilddb/index.aspx?view=Search&mlfb=3RV1031-4DA10&objecttype=14&gridview=view1>





last modified:

3/11/2024 