

Data sheet

Stainless steel ball valve, light, G 1-1/4", 0 to 63bar

Item number:

KH 114 K ES



Example illustration

Item description

Materials:

Housing: 1.4408, ball: 1.4408, seal: PTFE, handle: 1.4301

Temperature range:

-20°C to +200°C

Media:

Water, oil, compressed air, fuels, solvents, aggressive media

Optional:

NPT thread -NPT, certificate 3.1

Advantages:

•Hand-lever can be locked with a lock - please use the padlocks VHS 30 (G 3"): VHS 40)

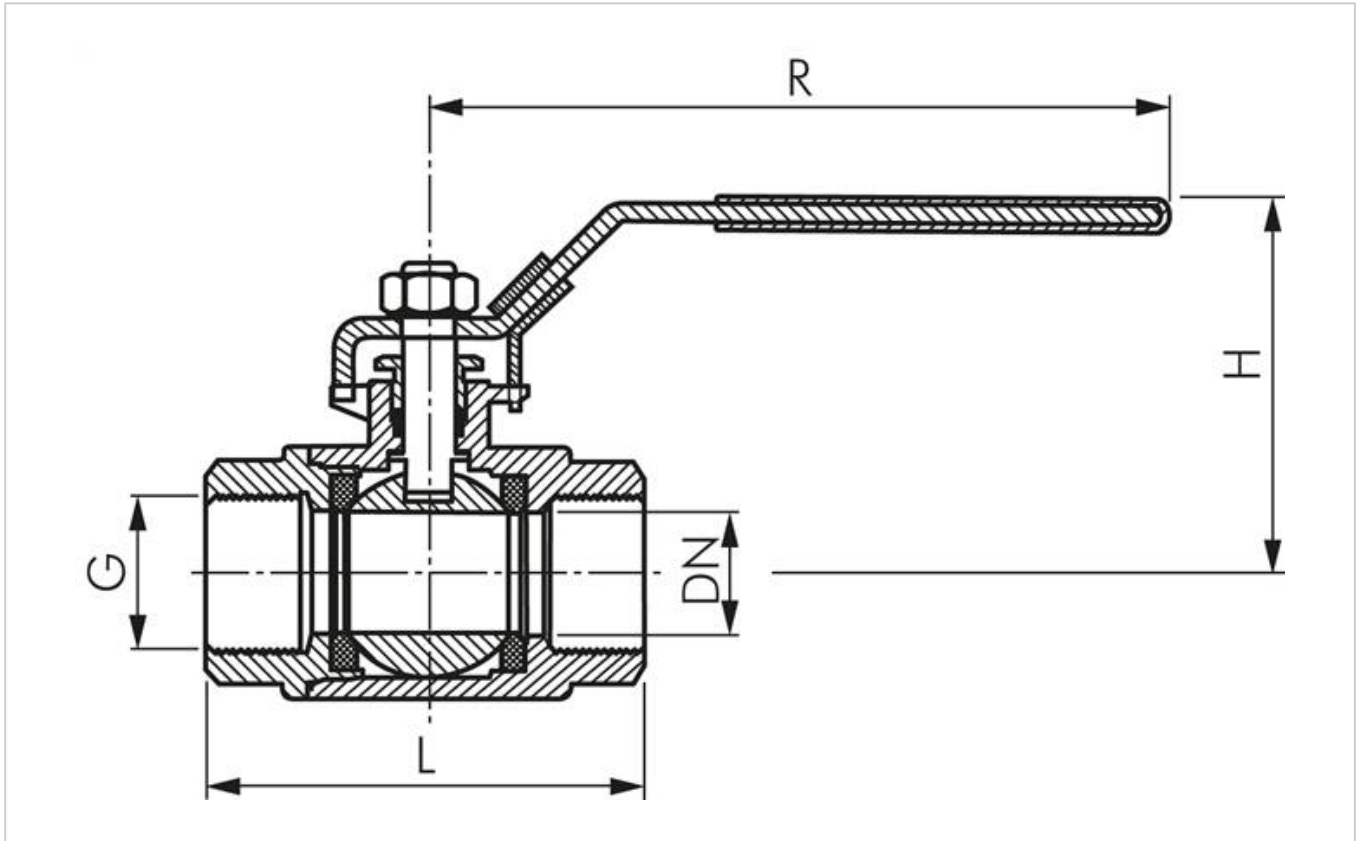
Properties

G	G 1-1/4"
DN [mm]	32
L [mm]	99,5
PN [bar]	0 to 63
H [mm]	82
R [mm]	153

Further information:

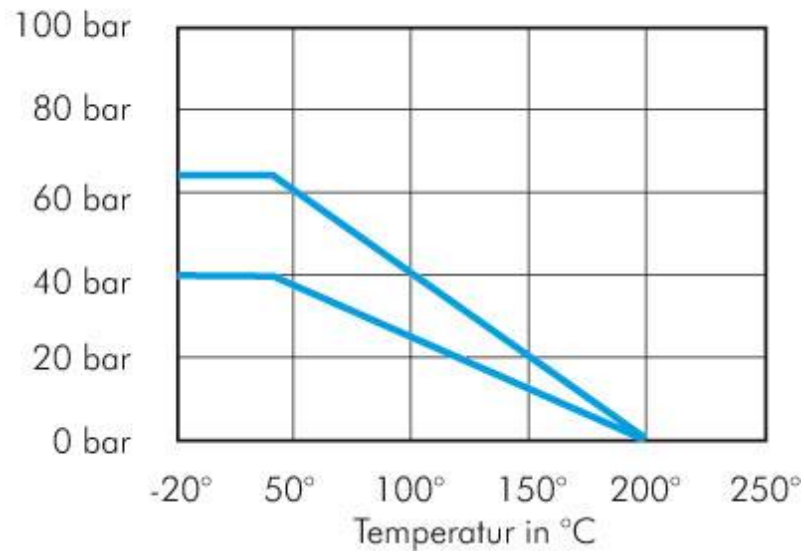
Weight	1,2 kg / pcs
---------------	--------------

GTIN	4050571407681
Customs duty number	84818081
RoHS compliant	Yes

Drawing:

Drawing

Diagramm 3 - PN 63



Drawing: Pressure-temperature diagram

More information on this item and the process for ordering it can be found in our online shop
<https://www.landefeld.com> under item number **KH 114 K ES**.

Landefeld Druckluft und Hydraulik GmbH · Konrad-Zuse-Straße 1 · 34123 Kassel · Germany

All data are to be understood as non-binding reference values! We do not assume liability for any data selection not confirmed in writing. Unless otherwise specified, pressure values refer to liquids from Group II at +20°C.

As of: 10.07.2023